

# Customer Information Sheet

DRAWING No.: M80-940XXXX

SHEET 2 OF 2

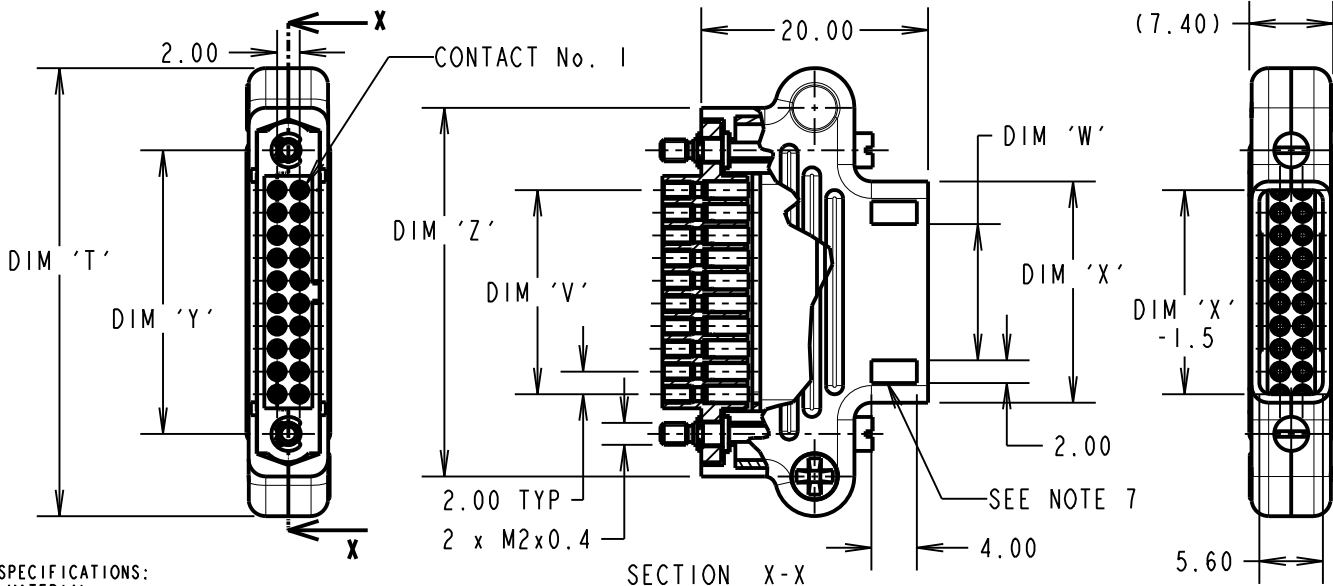
IF IN DOUBT - ASK

©

NOT TO SCALE

THIRD ANGLE PROJECTION

ALL DIMENSIONS IN mm



ORDER CODE:

**M80-940XXXX**

TOTAL No. OF CONTACTS  
06, 08, 10, 12, 14  
20, 26, 34, 42, 50

FINISH  
05 - GOLD CLIP, GOLD SHELL  
42 - GOLD CLIP, 100% TIN SHELL

**NOTES:**

- CONNECTORS ARE SUPPLIED WITH CONTACTS, CABLE HOOD SET, AND CABLE HOOD FIXING SCREWS LOOSE.
- FOR EXTRA CONTACTS, USE PART NUMBER M80-01300XX (XX = 05 FOR GOLD FINISH, 01 FOR TIN FINISH).
- RECOMMENDED WIRE TYPE = BS 3G 210 TYPE A, PTFE INSULATED 24-28 AWG. MAX INSULATION DIAMETER = Ø1.10mm, STRIP WIRE BY 2.00mm.
- RECOMMENDED HAND CRIMP TOOL = M22520/2-01 WITH POSITIONER T5747. SEE TOOLING INSTRUCTION SHEET IS-01 FOR COMPLETE CRIMPING INSTRUCTIONS.
- CONTACT INSERTION AND EXTRACTION TOOL = Z80-280. REFER TO INSTRUCTION SHEET IS-25 FOR ASSEMBLY INSTRUCTIONS
- NO CABLE TIE SLOTS ON M80-94006XX AND M80-94008XX.

**SPECIFICATIONS:**

**MATERIAL:**  
CABLE HOOD = 30% GLASS-FILLED POLYAMIDE 46  
DATAMATE MOULDING = 30% GLASS-FILLED PPS, UL94V-0, BLACK  
CONTACT = BERYLLIUM COPPER  
JACKSCREW = STAINLESS STEEL  
CABLE HOOD FIXING SCREW = MILD STEEL

**FINISH:**  
05 = 0.3µ GOLD CLIP, 0.25-0.3µ GOLD SHELL  
42 = 0.3µ GOLD CLIP, 3.5-5.0µ 100% TIN OVER NICKEL SHELL  
CABLE HOOD FIXING SCREW = CHEMI-BLACK

**ELECTRICAL:**  
CURRENT RATING AT 25°C = 3.0A MAX  
CURRENT RATING AT 85°C = 2.2A MAX  
WORKING VOLTAGE = 800V AC/DC  
VOLTAGE PROOF = 1200V AC/DC  
CONTACT RESISTANCE = 25 mΩ MAX  
INSULATION RESISTANCE = 100 MΩ MIN

**MECHANICAL:**  
DURABILITY = 500 OPERATIONS

**ENVIRONMENTAL:**  
TEMPERATURE RANGE = -55°C TO +125°C

**PACKING:**  
LOOSE  
FOR COMPLETE SPECIFICATION, SEE COMPONENT SPECIFICATION C005XX (LATEST ISSUE)

PART NUMBER	No. OF CONTACTS	PART DIMENSIONS					
		DIM 'T'	DIM 'V'	DIM 'W'	DIM 'X'	DIM 'Y'	DIM 'Z'
M80-94006XX	6	25.50	4.00	N/A	5.50	11.00	18.50
M80-94008XX	8	27.50	6.00	N/A	7.50	13.00	20.50
M80-94010XX	10	29.50	8.00	2.00	9.50	15.00	22.50
M80-94012XX	12	31.50	10.00	4.00	11.50	17.00	24.50
M80-94014XX	14	33.50	12.00	6.00	13.50	19.00	26.50
M80-94020XX	20	39.50	18.00	12.00	19.50	25.00	32.50
M80-94026XX	26	45.50	24.00	18.00	22.50	31.00	38.50
M80-94034XX	34	53.50	32.00	26.00	33.50	39.00	46.50
M80-94042XX	42	61.50	40.00	34.00	41.50	47.00	54.50
M80-94050XX	50	69.50	48.00	42.00	49.50	55.00	62.50

SB	6	26.03.12	11691
NAME	ISS.	DATE	C/NOTE
APPROVED: S.BENNETT			
CHECKED: S.FLOWER			
DRAWN: N. CODLING			
CUSTOMER REF.:			
ASSEMBLY DRG:			

**HARWIN**

www.harwin.com  
technical@harwin.com

THIS DRAWING AND ANY INFORMATION OR DESCRIPTIVE MATTER SET OUT HEREON ARE CONFIDENTIAL AND COPYRIGHT PROPERTY OF THE HARWIN GROUP AND MUST NOT BE DISCLOSED, LOANED, COPIED OR USED FOR MANUFACTURING, TENDERING OR FOR ANY OTHER PURPOSE WITHOUT THEIR WRITTEN PERMISSION.

**TOLERANCES**  
X. = ±1mm  
X.X = ±0.25mm  
X.XX = ±0.10mm  
X.XXX = ±0.01mm  
ANGLES = ±5°  
UNLESS STATED

**MATERIAL:**  
SEE ABOVE  
**FINISH:** SEE ABOVE  
**S/AREA:** mm<sup>2</sup>

**TITLE:** JACKSCREW DATAMATE DIL CRIMP (SMALL BORE) FEMALE ASSY WITH CABLE HOOD KIT  
**DRAWING NUMBER:** M80-940XXXX  
SHT 2 OF 2