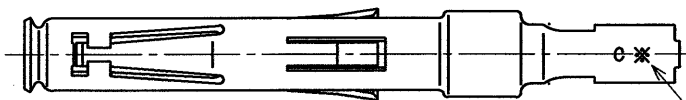
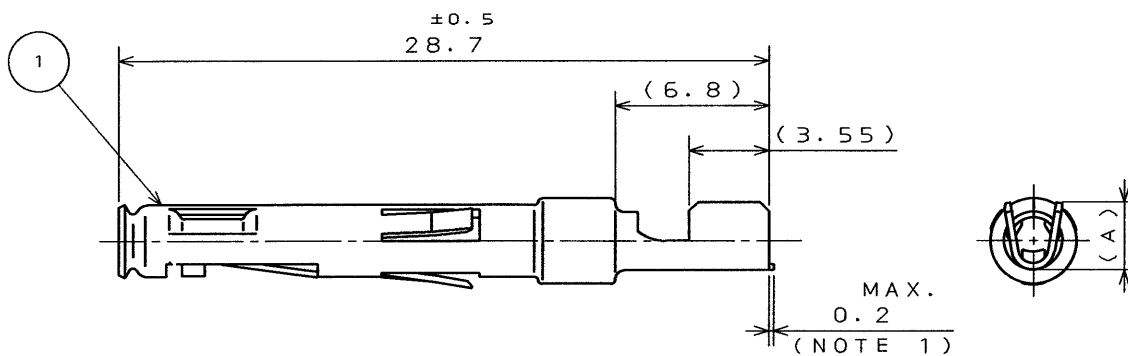
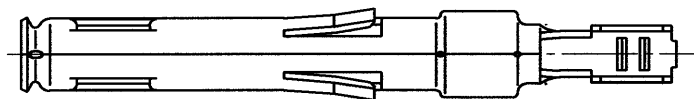


SYM.	DCN NO.	DESCRIPTION	DATE	DRAWN	CHECKED	APP'D	APP'D
------	---------	-------------	------	-------	---------	-------	-------



(NOTE 2)

NOTE 1. NO PLATING ON THE SHEARED EDGES OF CONTACT.

NOTE 2. CRIMP TYPE ARE MARKED AS INDICATED.

NOTE 3. APPLICABLE WIRE SIZE IS MENTIONED BELOW.

TABLE 1

CRIMP TYPE	APPLICABLE WIRE		DIMENSIONS
	WIRE SIZE	INSULATION OUTER DIA.	A
C 1	AWG#14~16 (1.25mm~2mm)	φ3.8MAX.	3.7
C 2	AWG#16~20 (1.25mm~0.5mm)	φ3.8MAX.	3
C 3	AWG#20~24 (0.5mm~0.2mm)	φ3.8MAX.	2.2

1	#16 SOCKET CONTACT	1	COPPER ALLOY	SILVER PLATING	
ITEM	DESCRIPTION	Q'TY	MATERIAL	FINISH	REMARKS
UNLESS OTHERWISE SPECIFIED: T700142		DATE	TITLE		<p style="text-align: center;">JAE-CONNECTOR.COM Reference Only</p> <p style="text-align: center;">JAPAN AVIATION ELECTRONICS INDUSTRY, LTD. MUSASHINO, AKISHIMA-SHI TOKYO, JAPAN</p>
DIMENSIONS ARE IN MILLIMETERS TOLERANCES ON : (INCHES) FRACTIONS DECIMALS ANGLES		21. Apr. '95	ST-JL05-16S-C*		
		DRAWN M. OOWA	(#16 SOCKET CONTACT) (INDIVIDUAL)		
		CHECKED S. NANA0			
		APP'D T. MORITA			
		APP'D M. Takagi	SERIES JL05	SCALE 3/1	DWG. NO. SJ025425-E