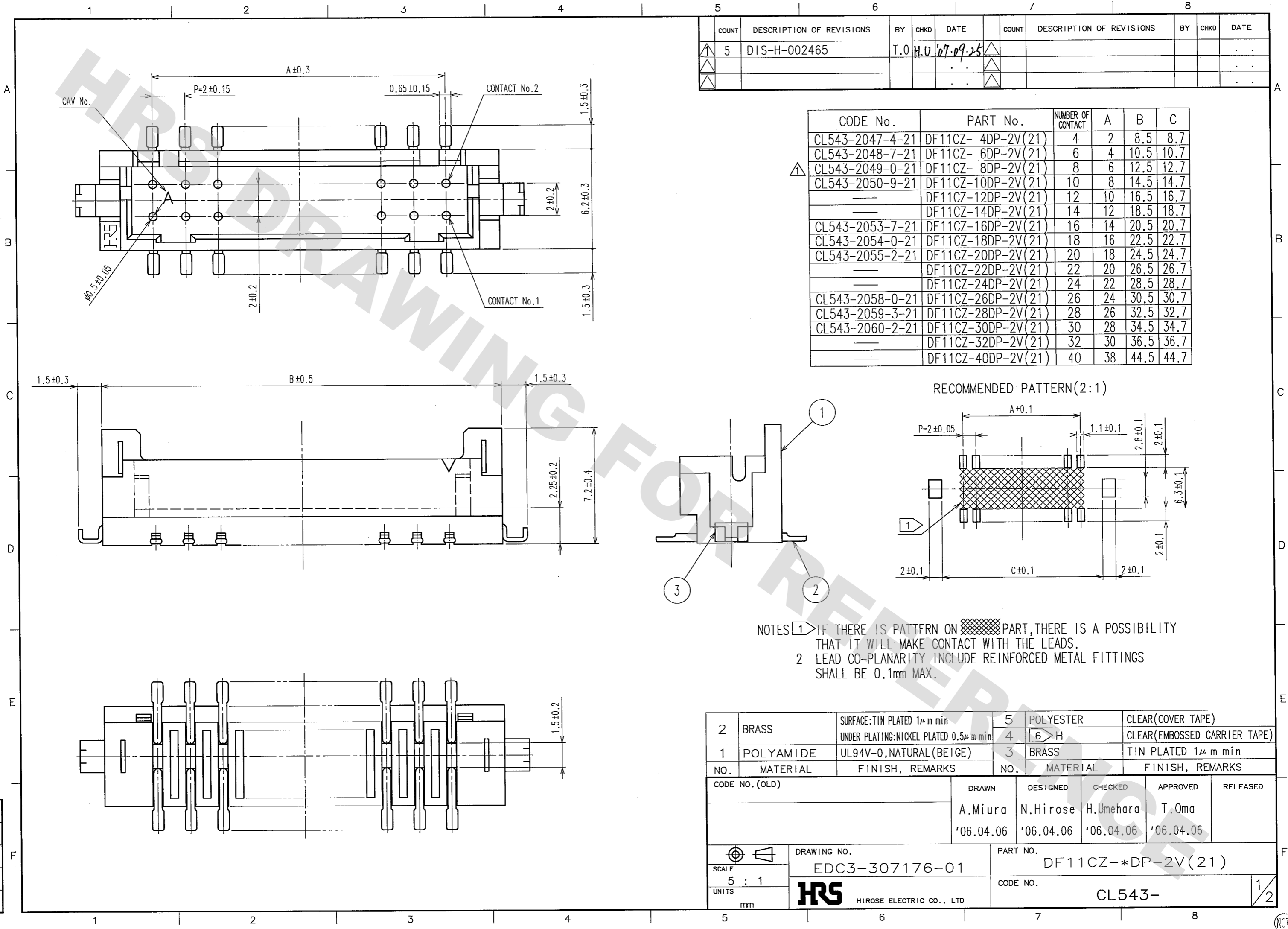


DRAWING FOR REFERENCE: This is subject to change without notice  
08/11/2012



COUNT	DESCRIPTION OF REVISIONS	BY	CHKD	DATE	COUNT	DESCRIPTION OF REVISIONS	BY	CHKD	DATE
5	DIS-H-002465	T.O	H.U	'07-09-25					

CODE No.	PART No.	NUMBER OF CONTACT	A	B	C
CL543-2047-4-21	DF11CZ- 4DP-2V(21)	4	2	8.5	8.7
CL543-2048-7-21	DF11CZ- 6DP-2V(21)	6	4	10.5	10.7
CL543-2049-0-21	DF11CZ- 8DP-2V(21)	8	6	12.5	12.7
CL543-2050-9-21	DF11CZ-10DP-2V(21)	10	8	14.5	14.7
---	DF11CZ-12DP-2V(21)	12	10	16.5	16.7
---	DF11CZ-14DP-2V(21)	14	12	18.5	18.7
CL543-2053-7-21	DF11CZ-16DP-2V(21)	16	14	20.5	20.7
CL543-2054-0-21	DF11CZ-18DP-2V(21)	18	16	22.5	22.7
CL543-2055-2-21	DF11CZ-20DP-2V(21)	20	18	24.5	24.7
---	DF11CZ-22DP-2V(21)	22	20	26.5	26.7
---	DF11CZ-24DP-2V(21)	24	22	28.5	28.7
CL543-2058-0-21	DF11CZ-26DP-2V(21)	26	24	30.5	30.7
CL543-2059-3-21	DF11CZ-28DP-2V(21)	28	26	32.5	32.7
CL543-2060-2-21	DF11CZ-30DP-2V(21)	30	28	34.5	34.7
---	DF11CZ-32DP-2V(21)	32	30	36.5	36.7
---	DF11CZ-40DP-2V(21)	40	38	44.5	44.7

RECOMMENDED PATTERN(2:1)

NOTES 1 IF THERE IS PATTERN ON [Hatched Area] PART, THERE IS A POSSIBILITY THAT IT WILL MAKE CONTACT WITH THE LEADS.  
2 LEAD CO-PLANARITY INCLUDE REINFORCED METAL FITTINGS SHALL BE 0.1mm MAX.

2	BRASS	SURFACE:TIN PLATED 1μ m min UNDER PLATING:NICKEL PLATED 0.5μ m min	5	POLYESTER	CLEAR(COVER TAPE)
1	POLYAMIDE	UL94V-0,NATURAL (BEIGE)	4	[6] > H	CLEAR(EMBOSSED CARRIER TAPE)
NO.	MATERIAL	FINISH, REMARKS	NO.	MATERIAL	FINISH, REMARKS

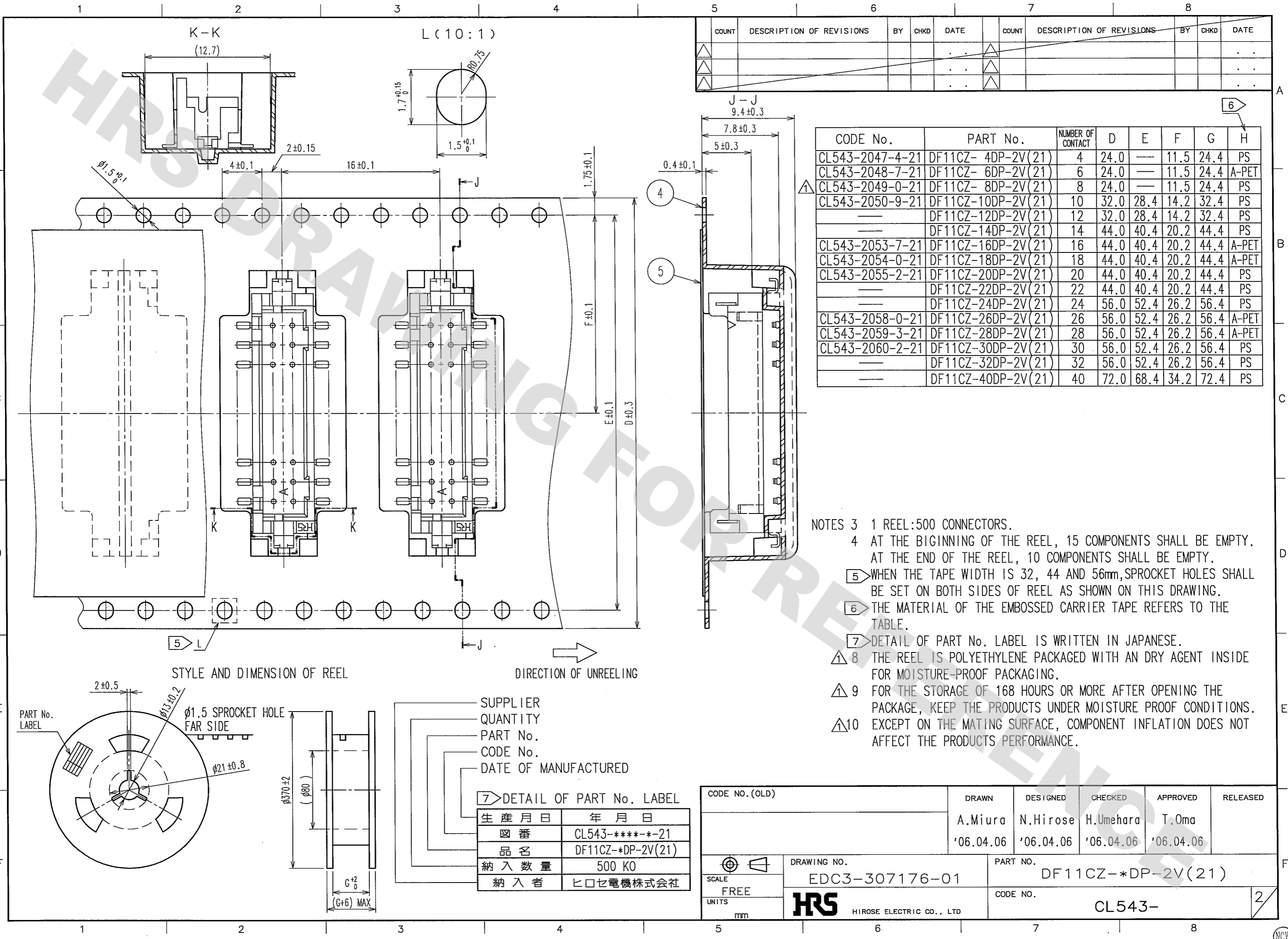
CODE NO. (OLD)	DRAWN	DESIGNED	CHECKED	APPROVED	RELEASED
	A.Miura	N.Hirose	H.Umehara	T.Oma	
	'06.04.06	'06.04.06	'06.04.06	'06.04.06	

SCALE	5 : 1	DRAWING NO.	EDC3-307176-01	PART NO.	DF11CZ-*DP-2V(21)
UNITS	mm	CODE NO.	CL543-		1/2



HIROSE ELECTRIC CO., LTD

DRAWING FOR REFERENCE: This is subject to change without notice  
08/11/2012



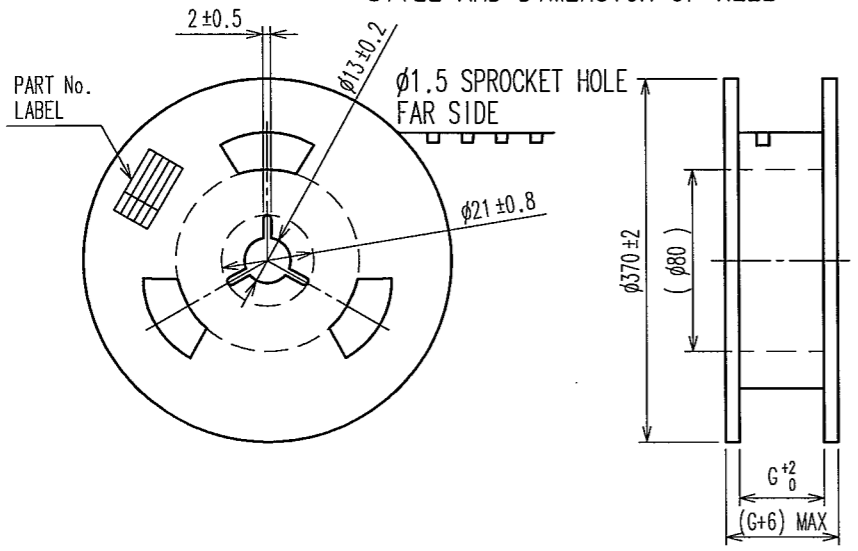
COUNT	DESCRIPTION OF REVISIONS	BY	CHKD	DATE	COUNT	DESCRIPTION OF REVISIONS	BY	CHKD	DATE

CODE No.	PART No.	NUMBER OF CONTACT	D	E	F	G	H
CL543-2047-4-21	DF11CZ- 4DP-2V(21)	4	24.0	—	11.5	24.4	PS
CL543-2048-7-21	DF11CZ- 6DP-2V(21)	6	24.0	—	11.5	24.4	A-PET
CL543-2049-0-21	DF11CZ- 8DP-2V(21)	8	24.0	—	11.5	24.4	PS
CL543-2050-9-21	DF11CZ-10DP-2V(21)	10	32.0	28.4	14.2	32.4	PS
—	DF11CZ-12DP-2V(21)	12	32.0	28.4	14.2	32.4	PS
—	DF11CZ-14DP-2V(21)	14	44.0	40.4	20.2	44.4	PS
CL543-2053-7-21	DF11CZ-16DP-2V(21)	16	44.0	40.4	20.2	44.4	A-PET
CL543-2054-0-21	DF11CZ-18DP-2V(21)	18	44.0	40.4	20.2	44.4	A-PET
CL543-2055-2-21	DF11CZ-20DP-2V(21)	20	44.0	40.4	20.2	44.4	PS
—	DF11CZ-22DP-2V(21)	22	44.0	40.4	20.2	44.4	PS
—	DF11CZ-24DP-2V(21)	24	56.0	52.4	26.2	56.4	PS
CL543-2058-0-21	DF11CZ-26DP-2V(21)	26	56.0	52.4	26.2	56.4	A-PET
CL543-2059-3-21	DF11CZ-28DP-2V(21)	28	56.0	52.4	26.2	56.4	A-PET
CL543-2060-2-21	DF11CZ-30DP-2V(21)	30	56.0	52.4	26.2	56.4	PS
—	DF11CZ-32DP-2V(21)	32	56.0	52.4	26.2	56.4	PS
—	DF11CZ-40DP-2V(21)	40	72.0	68.4	34.2	72.4	PS

- NOTES
- 3 1 REEL:500 CONNECTORS.
  - 4 AT THE BEGINNING OF THE REEL, 15 COMPONENTS SHALL BE EMPTY. AT THE END OF THE REEL, 10 COMPONENTS SHALL BE EMPTY.
  - 5 WHEN THE TAPE WIDTH IS 32, 44 AND 56mm, SPROCKET HOLES SHALL BE SET ON BOTH SIDES OF REEL AS SHOWN ON THIS DRAWING.
  - 6 THE MATERIAL OF THE EMBOSSED CARRIER TAPE REFERS TO THE TABLE.
  - 7 DETAIL OF PART No. LABEL IS WRITTEN IN JAPANESE.
  - 8 THE REEL IS POLYETHYLENE PACKAGED WITH AN DRY AGENT INSIDE FOR MOISTURE-PROOF PACKAGING.
  - 9 FOR THE STORAGE OF 168 HOURS OR MORE AFTER OPENING THE PACKAGE, KEEP THE PRODUCTS UNDER MOISTURE PROOF CONDITIONS.
  - 10 EXCEPT ON THE MATING SURFACE, COMPONENT INFLATION DOES NOT AFFECT THE PRODUCTS PERFORMANCE.

STYLE AND DIMENSION OF REEL

DIRECTION OF UNREELING



SUPPLIER  
QUANTITY  
PART No.  
CODE No.  
DATE OF MANUFACTURED

7>DETAIL OF PART No. LABEL

生産月日	年月日
図番	CL543-****-21
品名	DF11CZ-*DP-2V(21)
納入数量	500 KO
納入者	ヒロセ電機株式会社

CODE NO. (OLD)	DRAWN	DESIGNED	CHECKED	APPROVED	RELEASED
	A.Miura	N.Hirose	H.Umehara	T.Oma	
	'06.04.06	'06.04.06	'06.04.06	'06.04.06	
SCALE FREE	DRAWING NO. EDC3-307176-01		PART NO. DF11CZ-*DP-2V(21)		
UNITS mm	HRS HIROSE ELECTRIC CO., LTD		CODE NO. CL543-		2

TO