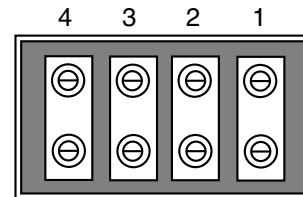


Model MAA050T-12

MAA050T-12

The MAA050T-12 Thermoelectric air conditioner is designed for small electronic cabinets and environmental chambers. It can cool to 68°F below ambient or maintain ambient temperatures while removing up to 50 BTU/Hr (@ 77°F ambient). Because there is no air exchanged between the cabinet and the ambient, the MAA050T-12 is ideal for NEMA 12 requirements. This air conditioner is virtually maintenance-free, with no filters to change, and can be mounted in any orientation, offering design flexibility with solid-state reliability.

Wiring Schematic (Power Connector)



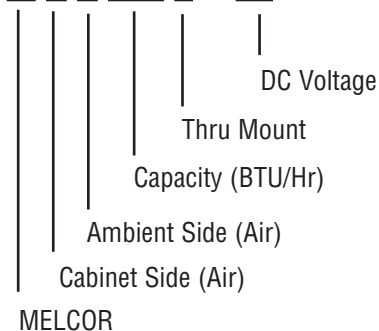
Position	Description
1	TEC +
2	TEC -
3	FAN +
4	FAN -

Specifications:	
Model:	MAA050T-12
Capacity	50 BTU/Hr (15 Watts)
Input Voltage	12 VDC
Max. Ambient Temp. **	140°F / 60° C
Current (Running)	3.0 amps
Weight	1.8 lbs. (0.82 kg)
Rating Maintained	NEMA 12
Overall Dimensions	4.5" H x 4.5" W x 6.0" D (114mm x 114mm x 152mm)

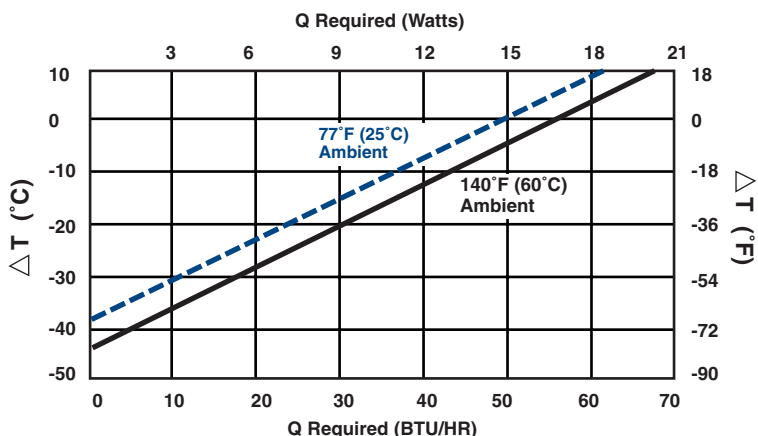
** Consult MELCOR for higher ambient temperature.

Model Number Nomenclature

M A A 050 T - 12



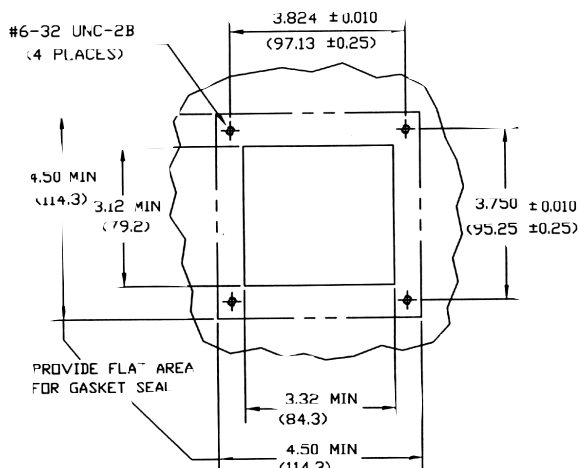
Performance Curve: MAA050T-12



Important:
 The air conditioner performance curves are dependent upon active and passive heat loads. To calculate passive cabinet heat gain, see the instructions on pages 6 and 7. For assistance contact MELCOR.

$\Delta T = T_{max \text{ Cabinet}} - T_{max \text{ Ambient}}$

Installation Cutout



Dimensional Drawing

