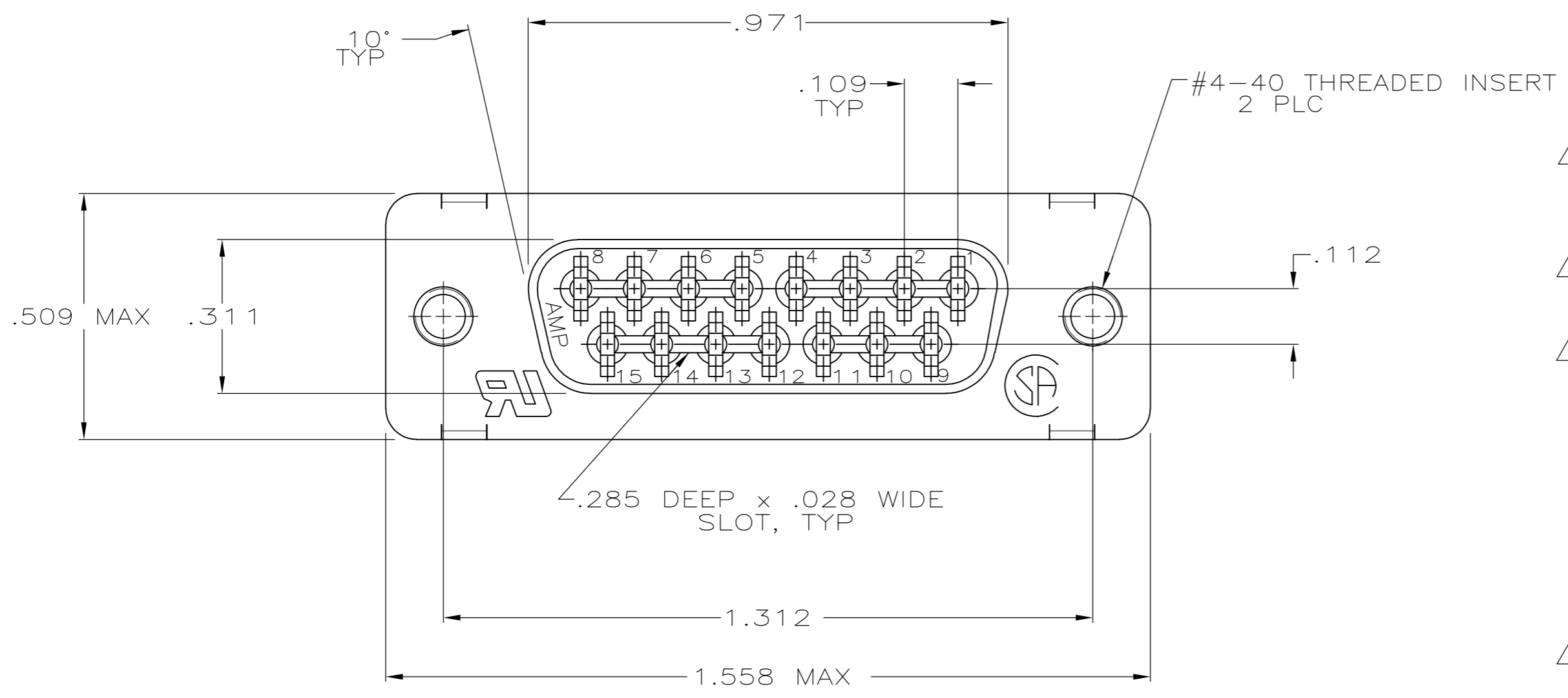
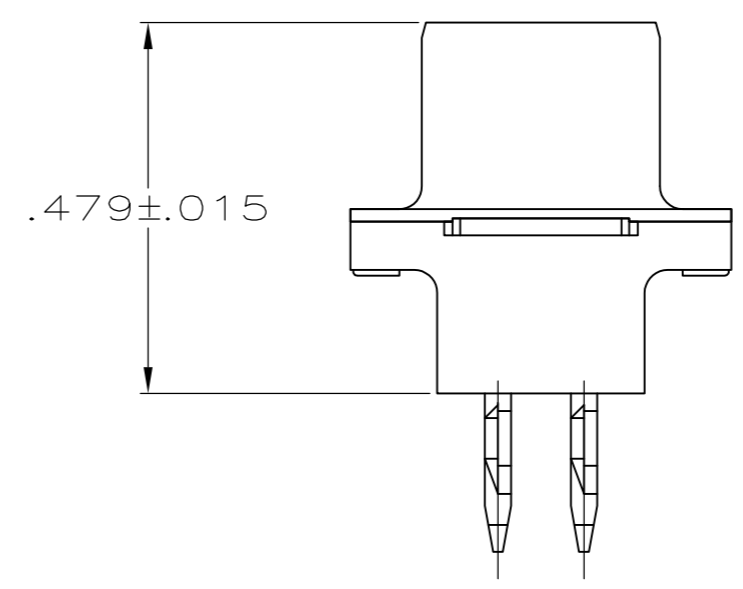
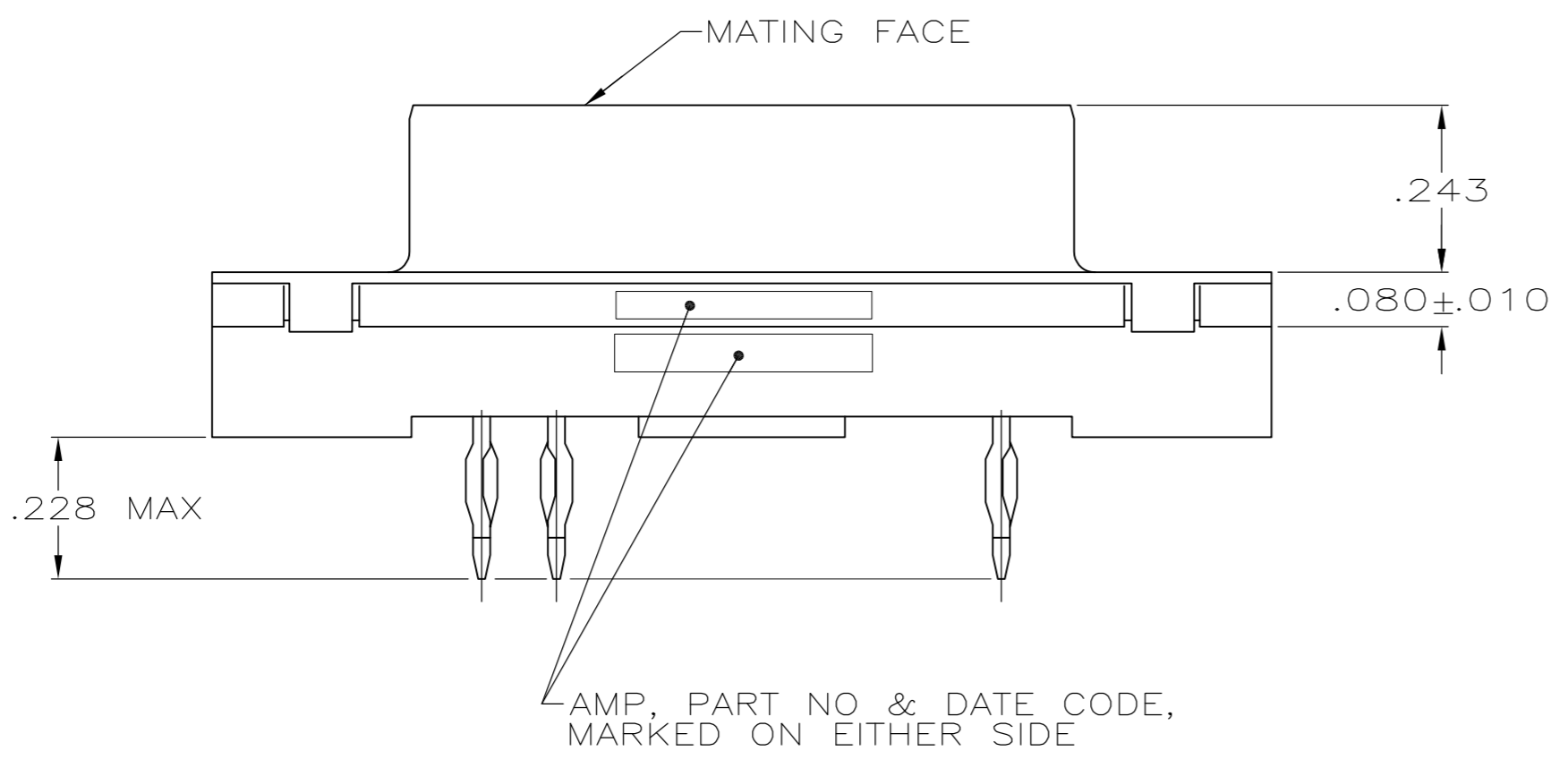


THIS DRAWING IS UNPUBLISHED. RELEASED FOR PUBLICATION
 © COPYRIGHT - By - ALL RIGHTS RESERVED.

| LOC | DIST | REVISIONS | | | | | |
|-----|------|-----------|-----|-----------------------|----------|-----|------|
| GP | 00 | P | LTR | DESCRIPTION | DATE | DWN | APVD |
| | | M | | REV PER ECO-12-000090 | 1FEB2012 | CJV | SLB |



- ① FOR USE WITH .093 MINIMUM THICK PRINTED CIRCUIT BOARD. REFER TO APPLICATION SPECIFICATION FOR PRINTED CIRCUIT BOARD LAYOUT DIMENSIONS AND FINISH RECOMMENDATIONS.
- ② DUPLEX PLATED: GOLD FLASH ON MATING SURFACE, BRIGHT TIN OR BRIGHT TIN LEAD ON COMPLIANT PIN, ALL OVER NICKEL.
- ③ .000030 MINIMUM GOLD IN MATING AREA.
 .000100 MINIMUM TIN OR TIN-LEAD ON COMPLIANT PIN.
 ALL OVER .000050 MINIMUM NICKEL.
 OR
 GOLD FLASH OVER PALLADIUM NICKEL
 .000030 MINIMUM TOTAL IN MATING AREA.
 .000100 MINIMUM TIN OR TIN-LEAD ON COMPLIANT PIN.
 ALL OVER .000050 MINIMUM NICKEL.
- ④ PLATED .0002-.0004 BRIGHT TIN



| | | |
|------------------------|----------------|----------|
| SUPERSEDED BY 747141-2 | ③ | 747141-2 |
| | ② | 747141-1 |
| | CONTACT FINISH | FINISH |

| | | | | |
|-----------------------------------------------------------------------------------------------------------------------------------------------|--|---------------------------------|-------------------------------------------------------------------------------------------------------------------|--------------------|
| THIS DRAWING IS A CONTROLLED DOCUMENT. DIMENSIONING AND TOLERANCING PER ASME Y14.5M-2009 | | DWN D.HARDY 03-31-94 | TE Connectivity | |
| DIMENSIONS: INCHES | | CHK R.STONE 04-26-94 | RCPT ASSY, SIZE 2, 15 POSN, AMPLIMITE™ HDP, MDM PROFILE, W/ ACTION PIN CONT & METAL SHELL. #4-40 THREADED INSERTS | |
| TOLERANCES UNLESS OTHERWISE SPECIFIED: 0 PLC ± - 1 PLC ± - 2 PLC ± - 3 PLC ± .005 4 PLC ± - ANGLES ± 2° | | APVD - | NAME - | RESTRICTED TO - |
| MATERIAL: HOUSING: FLAME RETARDANT 94V-0 RATED THERMOPLSTC; COLOR: BLACK CONTACTS: COPPER ALLOY SHELL: CARBON STEEL INSERT: BRASS | | PRODUCT SPEC 108-40014 | SIZE 114-40026 ① | SCALE 4:1 |
| FINISH: CONTACTS: SEE TABLE SHELL: ④ INSERTS: UNPLATED | | APPLICATION SPEC 114-40026 ① | WEIGHT - | SHEET 1 of 1 |
| CUSTOMER DRAWING | | WEIGHT - | DRAWING NO A2 00779 C=747141 | REV M |