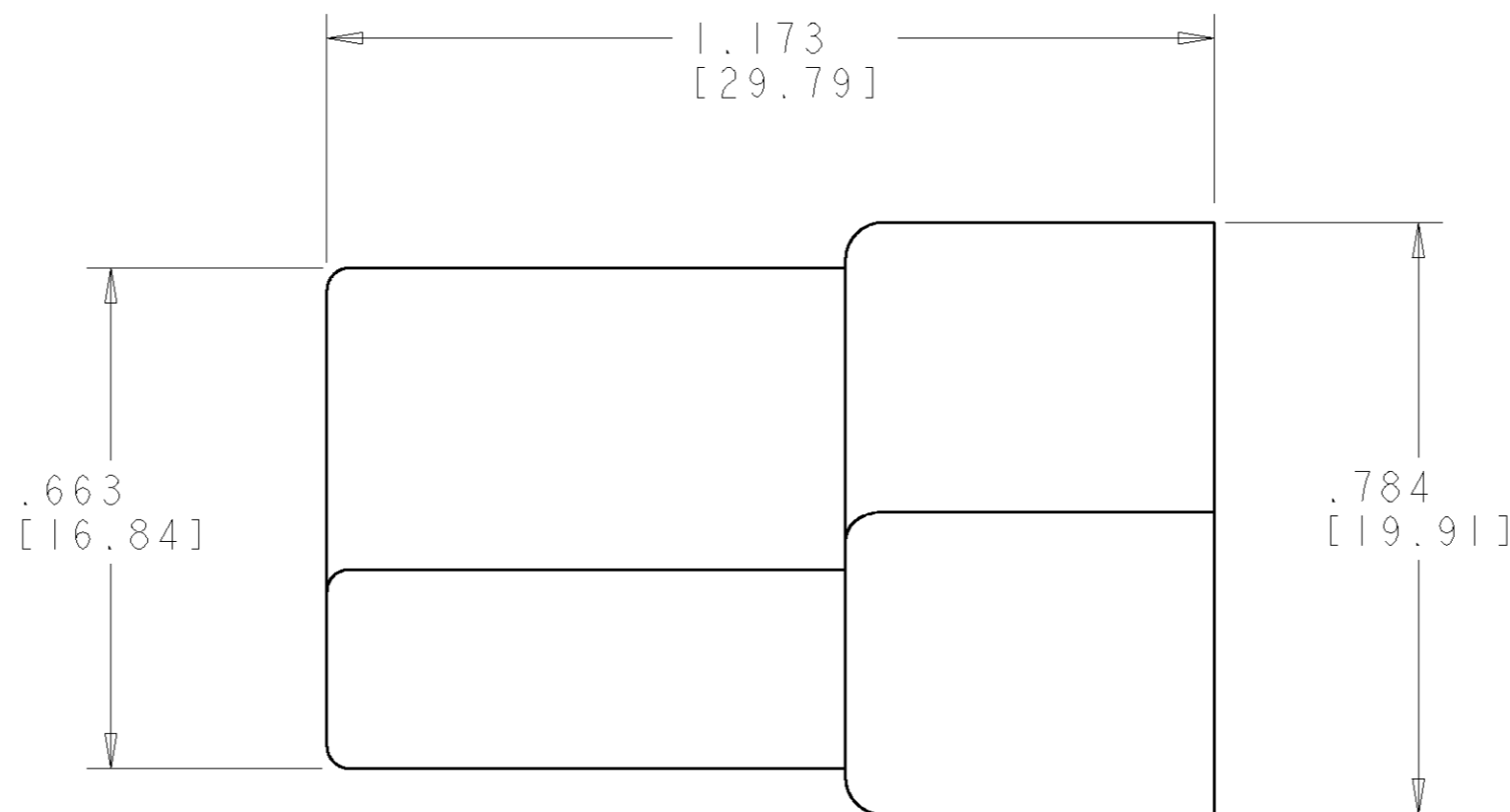
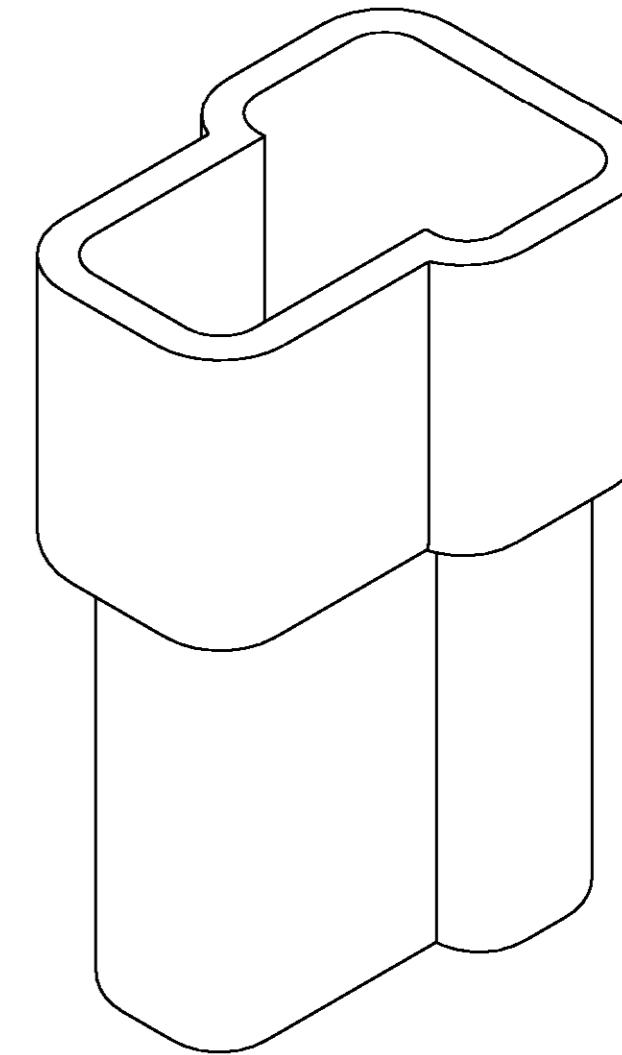
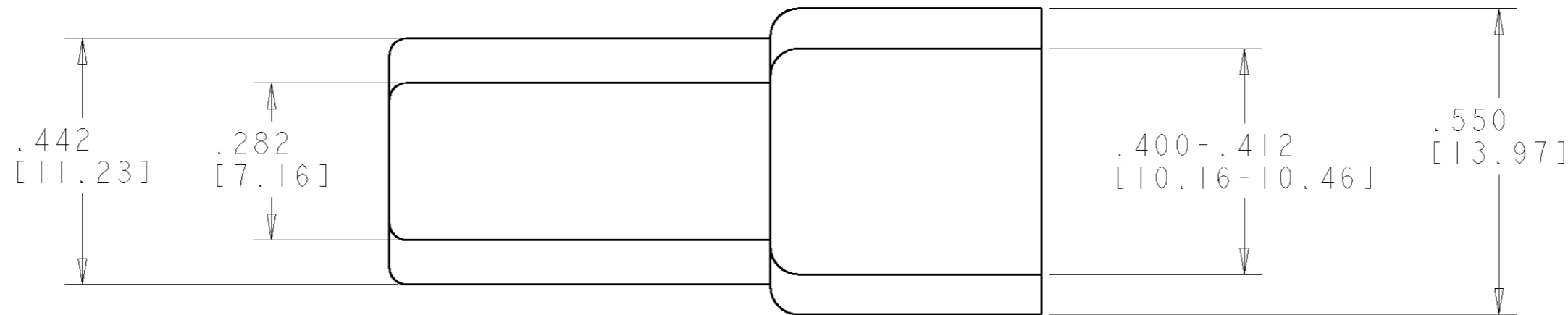
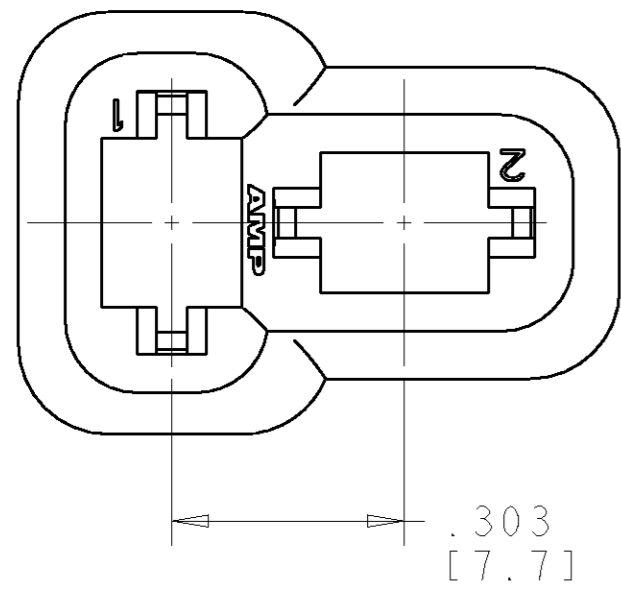


THIS DRAWING IS UNPUBLISHED. RELEASED FOR PUBLICATION 20  
 © COPYRIGHT 20 BY TYCO ELECTRONICS CORPORATION. ALL RIGHTS RESERVED.

LOC	DIST	REVISIONS					
		P	LTR	DESCRIPTION	DATE	DWN	APVD
AF	50	P		REV PER 0G3A-0359-02	11JUL2002	RCF	ND
		R		REV PER 0G3A-0366-02	24JUL2002	RCF	ND
		S		REV PER 0G3A-0656-02	29OCT2002	RCF	ND
		S1		REVISED PER ECO-10-000445	09JAN10	KK	AEG



- 1. MATES TO 480115
- 2. PREPRODUCTION - FASR REQUIRED
- 3. OBSOLETE PARTS: OBSOLETE CIS STREAMLINING PER D.RENAUD/D.SINISI

3 OBSOLETE	2	COLOR	MATERIAL	PART NUMBER
		BLACK	NYLON	480116-3
		NATURAL	NYLON	<del>480116-2</del>
		BLACK	ABS	480116-1

**SUPERCEDED BY 480116-3**

<small>THIS DRAWING IS A CONTROLLED DOCUMENT FOR TYCO ELECTRONICS CORPORATION. IT IS SUBJECT TO CHANGE AND THE CONTROLLING ENGINEERING ORGANIZATION SHOULD BE CONTACTED FOR THE LATEST REVISION.</small>		DWN R FLAIG 11JUL2002	Tyco Electronics Harrisburg, PA 17105-3608	
DIMENSIONS: INCHES [mm]		CHK N DEIBERT 11JUL2002	NAME 2 CIRCUIT, "T", FASTIN-FASTON, TAB HOUSING, .250 SERIES	
TOLERANCES UNLESS OTHERWISE SPECIFIED: 0 PLC ± 1 PLC ± 2 PLC ± 3 PLC ±.005(0.13) 4 PLC ± ANGLES ±° FINISH		APVD N DEIBERT 11JUL2002	RESTRICTED TO	
MATERIAL		PRODUCT SPEC	SIZE A2	CAGE CODE 00779
		APPLICATION SPEC	DRAWING NO 480116	REV S1
		WEIGHT	SCALE 4:1	SHEET OF
		CUSTOMER DRAWING		