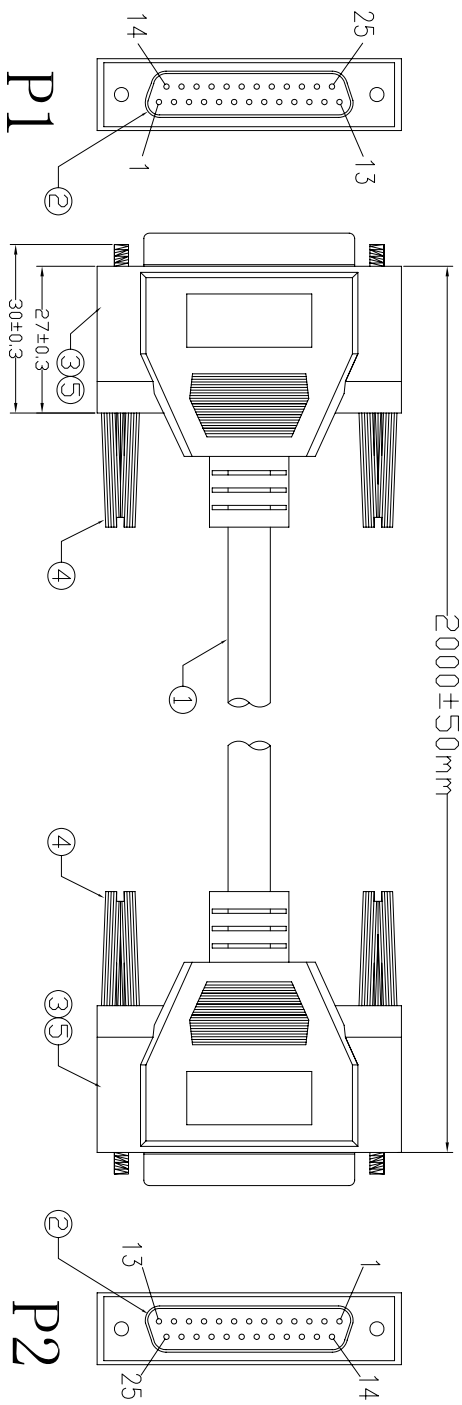
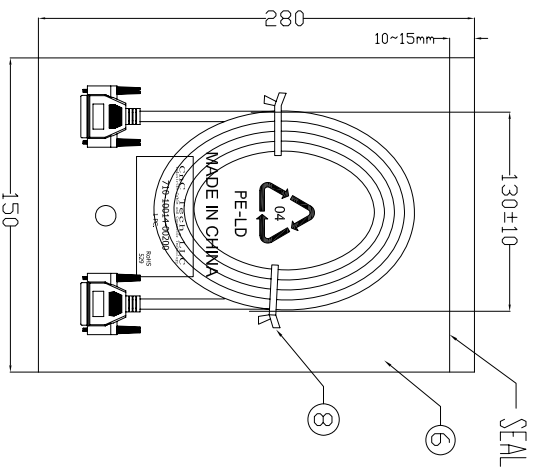


Units: mm



Electrical test:
 1. 100% short open, miswire test
 2. Conduct resistance: 5 Ohm(max)
 3. Insulation resistance: 5Mohm(min)
 4. dielectric test: DC 300V

PIN ASSIGNMENT	
P1	P2
1	1
2	2
3	3
4	4
5	5
6	6
7	7
8	8
9	9
10	10
11	11
12	12
13	13
14	14
15	15
16	16
17	17
18	18
19	19
20	20
21	21
22	22
23	23
24	24
25	25
SHELL	SHELL



⑧	TIE	2	WHITE L=80mm
⑦	PE BAG	1/10	CLEAR SIZE: 360*380*0.05mm PRINT BLACK MADE IN CHINA "10PCS" 及印生产周期, 有透气孔.
⑥	PE BAG	1	CLEAR SIZE: 150*280*0.05mm PRINT BLACK MADE IN CHINA 及印生产周期, 有透气孔.
⑤	TUBE	2	HEAT SHRINK TUBE BLACK OD1.5*20MM
④	SCREW	4	#4-40UNC TYPE L=30mm, NICKEL PLATED, MOLD: BEIGE(V-29) ABS
③	IN JACKET	18g	CLEAR LD-PE (Mould NO.: NW-33)
②	CONN	60g	BEIGE(V-29) 40P PVC(Mould NO.: WW-071)
①	CABLE	2	DB 25P FEMALE SODER TYPE PIN G/F SHELL NI-PLATED INSULATOR COLOR: BLUE
NO.	NAME	Q'TY	SPECIFICATION
①	CABLE	1	NOUL 30#(7/0.10)*25C+D+AL/WY OD: 6.5mm JACKET BEIGE(V-29) L=2000±10MM

CNC Tech, LLC

Industrial Cable and Connector Technology

DRAWN BY	ZHONGHS	DRAWING NO.	
CHECKED BY		CUSTOMER	
APPROVAL BY		ITEM NO.	710-10014-00200
DECIDE BY		DATE	2012-02-06
VERSIONS/EDITION	A/0	PROJECTION	