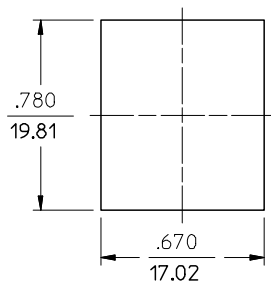
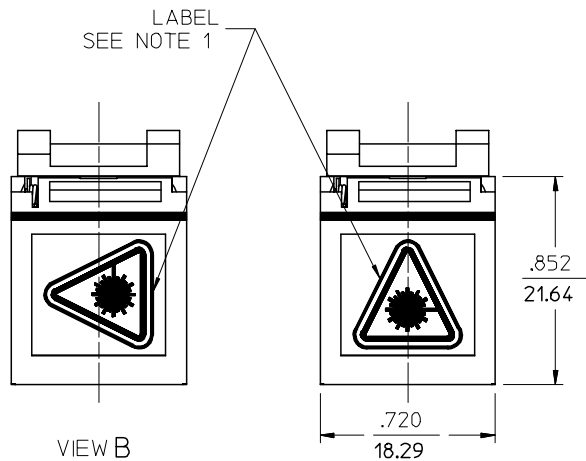
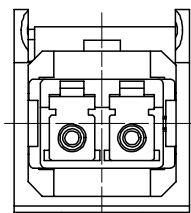


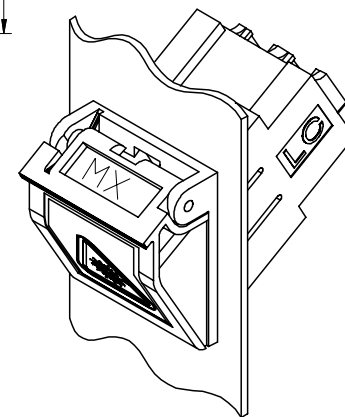
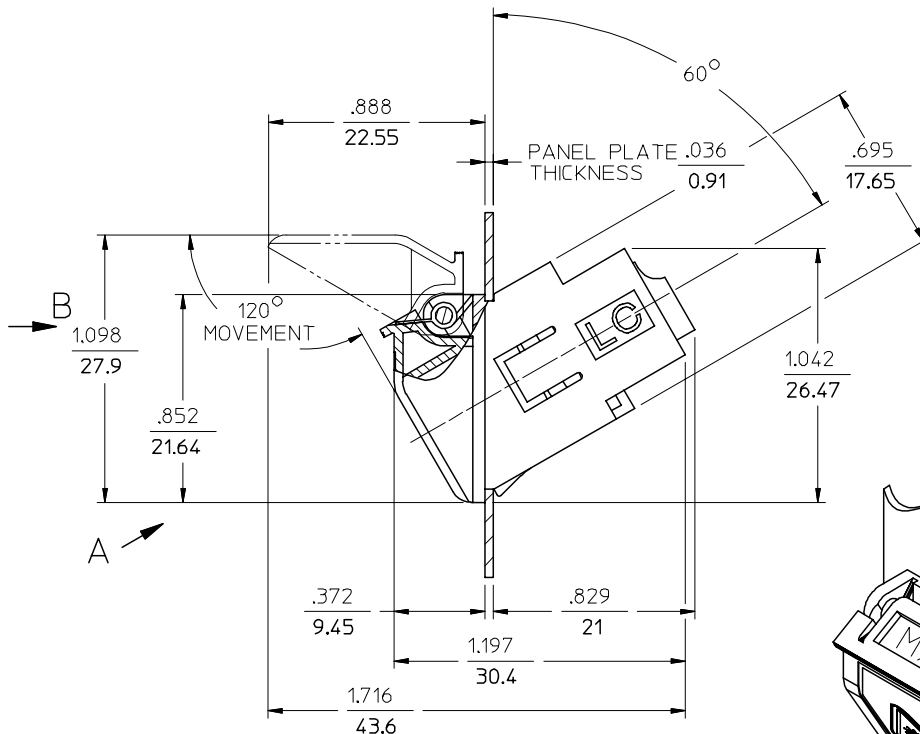
10	9	8	7	6	5	4	3	2	1
KIT P/N	ADAPTER COLOR	SLEEVE MATERIAL	BEZEL COLOR	DOOR COLOR					
106004-3278	BLUE	ZIRCONIA	WHITE	BLACK					
106004-3279	BEIGE	PHOSPHOR BRONZE							



RECOMMENDED MOUNTING HOLE



VIEW A
DOOR REMOVED
ROTATED 30° CW



ISOMETRIC VIEW

NOTES:
2. LABEL TO BE INSTALLED BY CUSTOMER.

ENTER DESCRIPTION EC NO: MF2006-0262 DRWR: RPACIFIC I 2005/12/01 CHKD: 2005/12/01 APPR: IGUMIN 2005/12/01 REV A	QUALITY SYMBOLS 	GENERAL TOLERANCES (UNLESS SPECIFIED)		DIMENSION STYLE IN/MM	SCALE 2:1	DESIGN UNITS INCH	THIRD ANGLE PROJECTION															
		<table border="1"> <tr> <th></th> <th>mm</th> <th>INCH</th> </tr> <tr> <td>4 PLACES</td> <td>± .005</td> <td>± .0005</td> </tr> <tr> <td>3 PLACES</td> <td>± .005</td> <td>± .0005</td> </tr> <tr> <td>2 PLACES</td> <td>± .005</td> <td>± .0005</td> </tr> <tr> <td>1 PLACE</td> <td>± .005</td> <td>± .0005</td> </tr> </table>		mm	INCH	4 PLACES	± .005	± .0005	3 PLACES	± .005	± .0005	2 PLACES	± .005	± .0005	1 PLACE	± .005	± .0005	DRAWN BY RPACIFIC I	DATE 2005/10/20	TITLE LC BEZEL WITH PUSH TAB ADAPTER KITS		
		mm	INCH																			
	4 PLACES	± .005	± .0005																			
3 PLACES	± .005	± .0005																				
2 PLACES	± .005	± .0005																				
1 PLACE	± .005	± .0005																				
	DRAFT WHERE APPLICABLE MUST REMAIN WITHIN DIMENSIONS	APPROVED BY DATE	MOLEX INCORPORATED																			
		MATERIAL NO. SEE TABLE	DOCUMENT NO. SD-106004-327X	SHEET NO. 1 OF 01																		