

# Cable sleeve - CES-STPG-GY-2ASI-RR - 0801713

Please be informed that the data shown in this PDF Document is generated from our Online Catalog. Please find the complete data in the user's documentation. Our General Terms of Use for Downloads are valid (<http://download.phoenixcontact.com>)



Small, slotted cable sleeves suitable for two AS-i cables (R-R), material: SEBS, version: right, right

## Product description

Slotted sleeves for accommodating two pre-assembled AS-i cables (LR), can be used in CES sealing frames. When fitted, the sleeves also ensure strain relief according to DIN EN 50262.



## Key commercial data

Packing unit	0
Minimum order quantity	1
GTIN	 4 046356 675147
Custom tariff number	85472000
Country of origin	POLAND

## Technical data

### General data

Product description	Slotted sleeves for accommodating two pre-assembled AS-i cables (LR), can be used in CES sealing frames. When fitted, the sleeves also ensure strain relief according to DIN EN 50262.
Material	SEBS
Inflammability class according to UL 94	V0
Color	gray
Degree of protection	IP54
Ambient temperature (operation)	-40 °C ... 80 °C (static)

## Classifications

### ETIM

ETIM 3.0	EC000879
ETIM 4.0	EC000451
ETIM 5.0	EC000451

## Cable sleeve - CES-STPG-GY-2ASI-RR - 0801713

### Classifications

#### UNSPSC

UNSPSC 11	39121708
UNSPSC 12.01	39121708
UNSPSC 13.2	39121708
UNSPSC 6.01	30212109
UNSPSC 7.0901	39121708

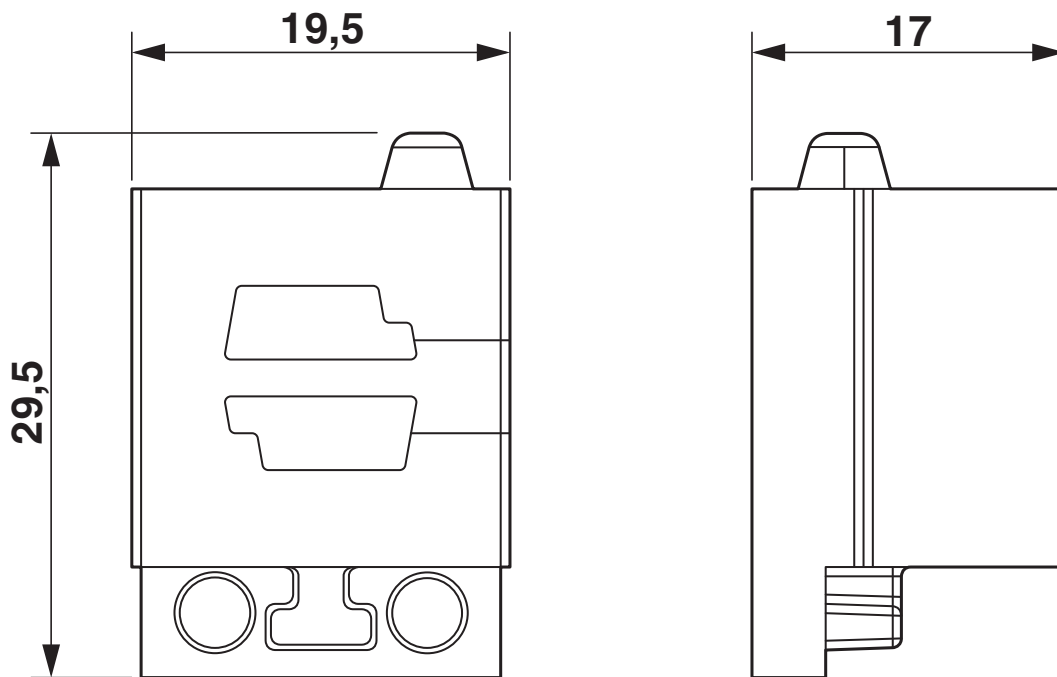
#### eCl@ss

eCl@ss 4.0	27081002
eCl@ss 4.1	27081002
eCl@ss 5.0	27081002
eCl@ss 5.1	27081002
eCl@ss 6.0	27081002
eCl@ss 7.0	27081002

### Drawings

# Cable sleeve - CES-STPG-GY-2ASI-RR - 0801713

Dimensioned drawing



Dimensional drawing

