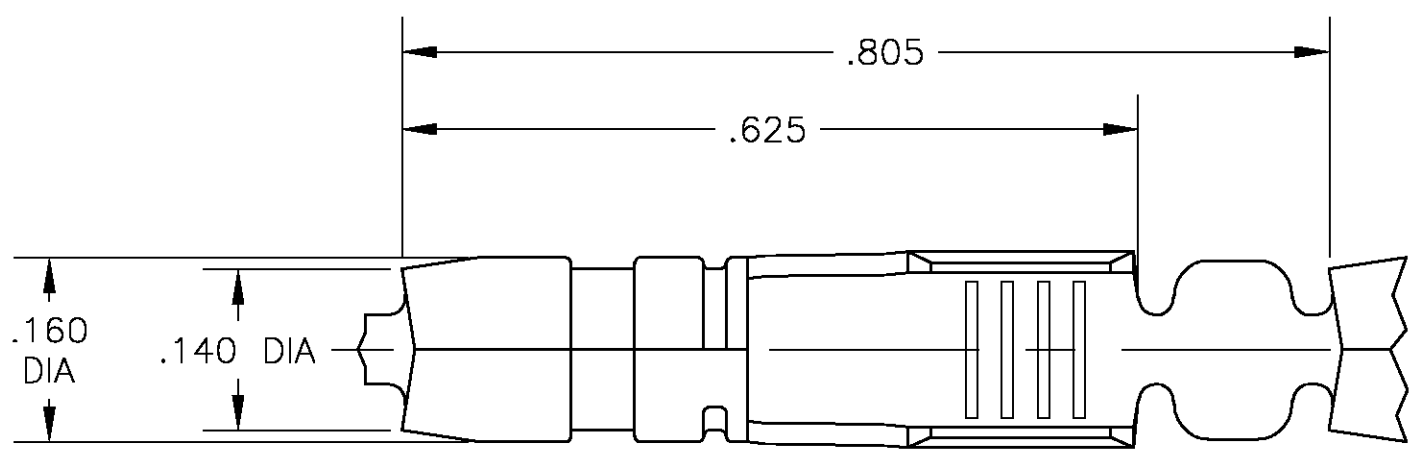
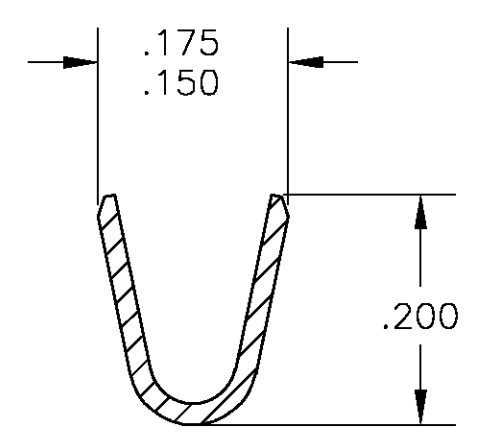
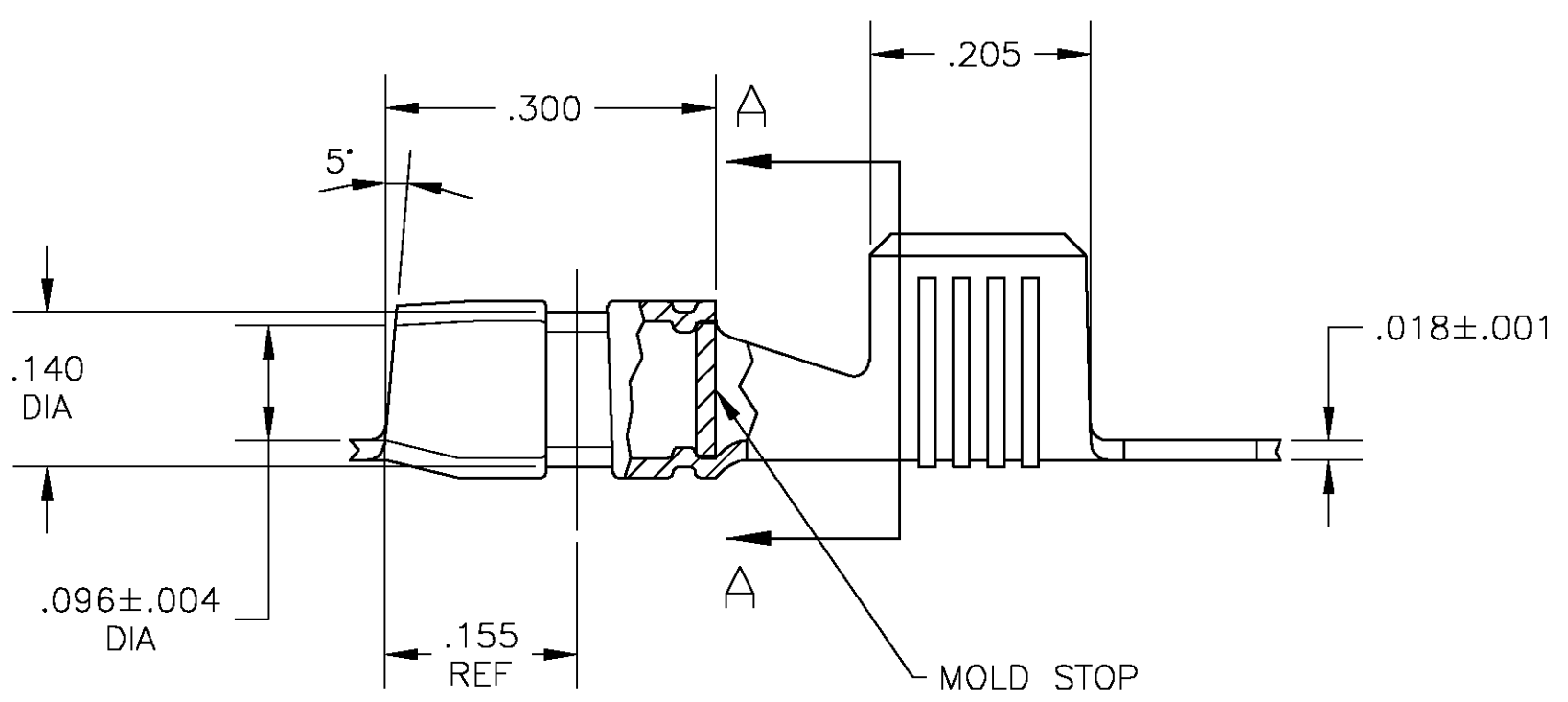


THIS DRAWING IS UNPUBLISHED. RELEASED FOR PUBLICATION
 © COPYRIGHT BY TYCO ELECTRONICS CORPORATION. ALL RIGHTS RESERVED.

LOC	DIST	REVISIONS			
P	LTR	DESCRIPTION	DATE	DWN	APVD
AF	50	C	REL PER 0G3A-0098-05	09MAR05	JR DD



- 1 CONTINUOUS STRIP ON REELS
- 2 WIRE SIZE IS #10-#14 (9600 CMA MAX)
OR TWO #14'S
- 3 .000130 MAX PRE-TIN



SECTION A-A

1742039-1
PART NO

THIS DRAWING IS A CONTROLLED DOCUMENT.		DWN JR RUTH 19DEC2003	Tyco Electronics Corporation Harrisburg, Pa 17105-3608			
DIMENSIONS: INCHES		CHK D DECKER 19DEC03				
		APVD D DECKER 19DEC03	NAME SHUR PLUG, .156 DIA			
TOLERANCES UNLESS OTHERWISE SPECIFIED:		PRODUCT SPEC	SIZE			
0 PLC ± -	FINISH 3	APPLICATION SPEC	CAGE CODE	DRAWING NO	RESTRICTED TO	
1 PLC ± -		—	A300779	C-1742039	—	
2 PLC ± -		MATERIAL 081 BRASS	WEIGHT	SCALE 1:1 SHEET 1 OF 1 REV C		
3 PLC ± .010			—	CUSTOMER DRAWING		
4 PLC ± -						
ANGLES ± 1'						