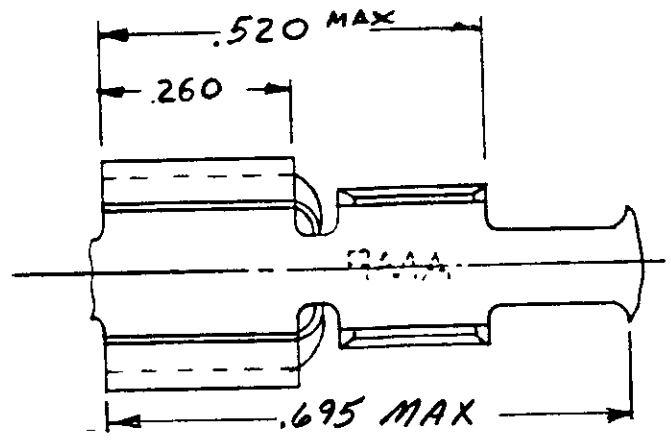


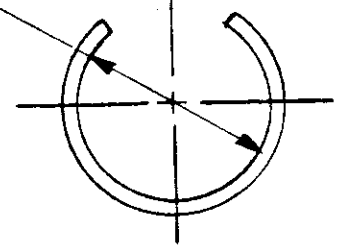
DRAWING MADE IN THIRD ANGLE PROJECTION

© COPYRIGHT 1977 BY AMP INCORPORATED, HARRISBURG, PA. ALL INTERNATIONAL RIGHTS RESERVED. NOT TO BE REPRODUCED OR PUBLISHED WITHOUT WRITTEN PERMISSION OF AMP INCORPORATED. PATENTS PENDING.

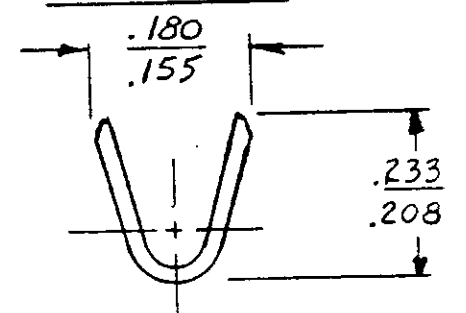
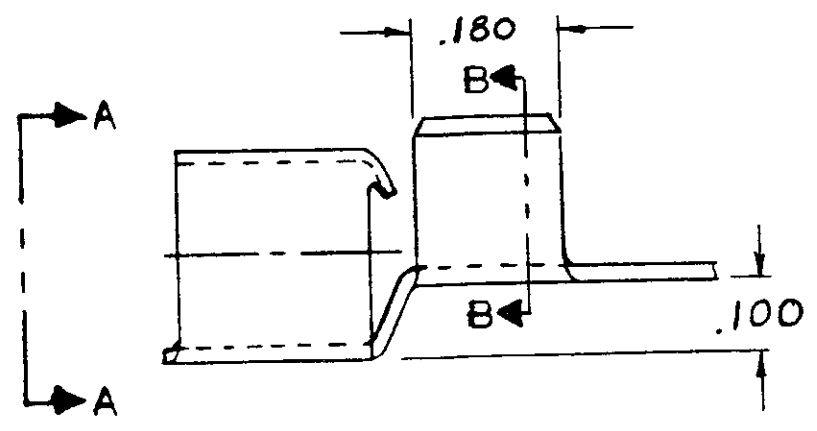
REVISIONS					
LTR	DESCRIPTION	DATE	APPROVED	P/F	
C	DWG. RELEASED	M-4068	1-19-77	EJW/d.H.	✓
A	RELEASED FOR PRODUCTION	M-4197	3-23-77	J/A/d.H.	✓
B	.260 DIM. WAS .250	M-4687	2-22-78	CM/d.H.	✓
B <sub>1</sub>	RESTORATION		10-8-85	KS/ RM	
B <sub>2</sub>	CHG DWG LOC CODE		4-28-87	CM/ RS	
C	REV PER DT10-0427-95		26/SEP/95	PMF/	



FITS ON  $\frac{.253}{.247}$  DIA. PIN



VIEW A-A



SECTION B-B

CONTINUOUS STRIP ON REELS

12 -10	62587-1
WIRE SIZE	PART NO

UNLESS OTHERWISE SPECIFIED DIMENSIONS ARE IN INCHES. TOLERANCES ON: DECIMALS ± .015 ANGLES ± 1°0'	CONTRACT NO
	DR <i>E.J. Weist 1-14-77</i>
	CHK <i>D.S. Heide 1/18/77</i>
	APPD <i>E.J. Weist 1/18/77</i>
MATERIAL <b>.020 BRASS</b>	DSGN APPD
FINISH <b>TIN</b>	OTHER APPD

AMP INCORPORATED Harrisburg, Pa.	
NAME <b>PIN RECEPTACLE</b>	
SIZE <b>A</b>	CODE IDENT NO <b>00779</b>
DRAWING NO <b>62587</b>	
SCALE <b>1:1</b>	SHEET

AMP INCORPORATED Harrisburg, Pa.	
NAME <b>PIN RECEPTACLE</b>	
SIZE <b>A</b>	CODE IDENT NO <b>00779</b>
DRAWING NO <b>62587</b>	
SCALE <b>1:1</b>	SHEET