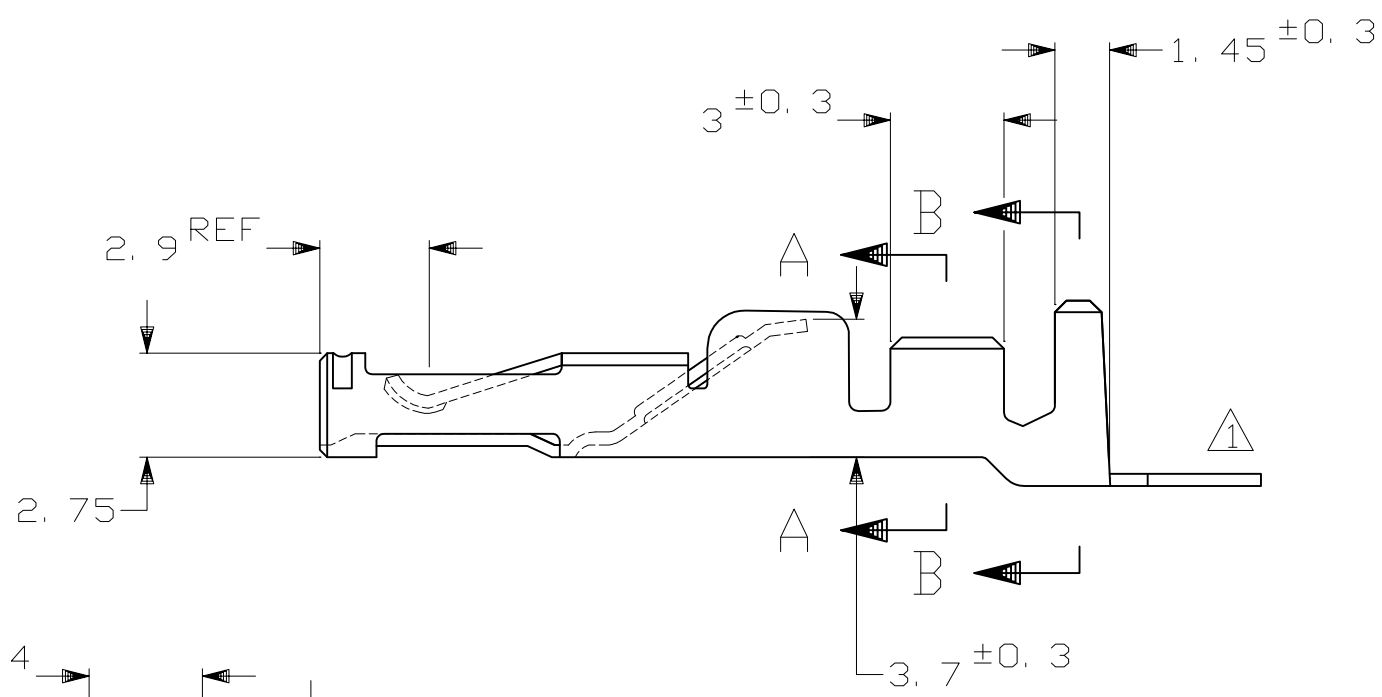
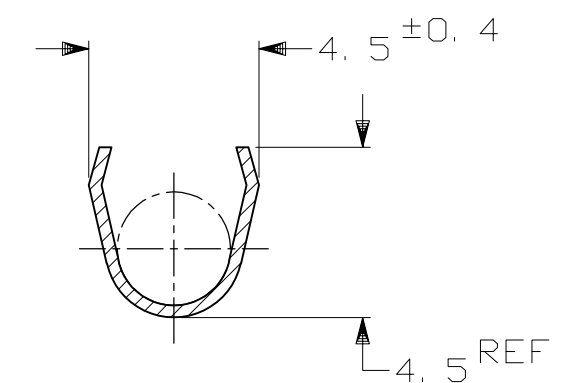
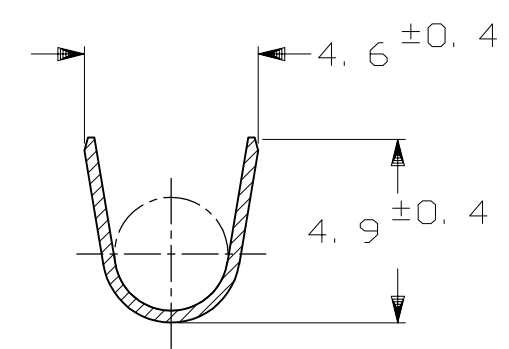
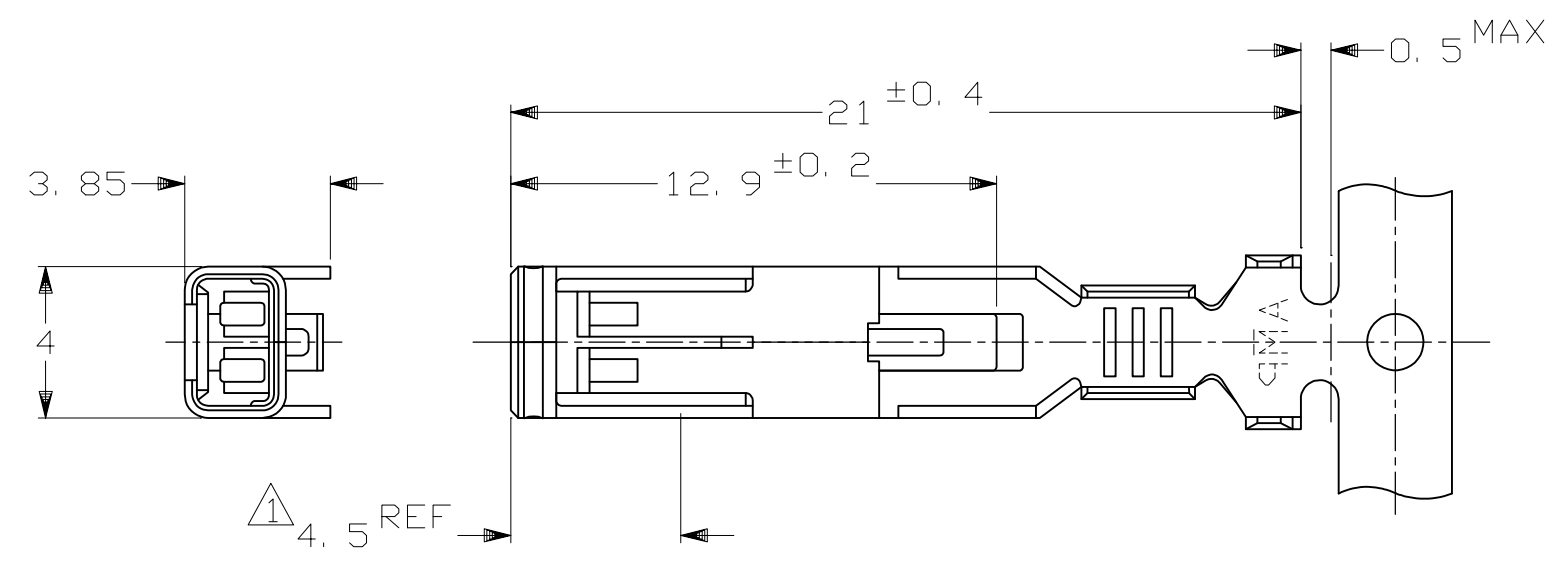
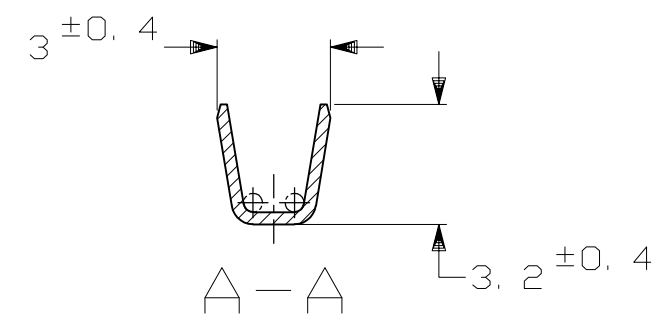


THIS DRAWING IS UNPUBLISHED. RELEASED FOR PUBLICATION
 © COPYRIGHT - By - ALL RIGHTS RESERVED.

LOC	DIST	REVISIONS		
		P	LTR	DESCRIPTION
J	-		E3	REVISED PER ECO-11-005140
				DATE: 28MAR11
				DWN: RK
				APVD: HMR



1. HOUSING PART NUMBER: 171358, 171892 etc.
 2. THE MATING TAB CONTACTS PART NUMBER: 170221, 170308 etc.
 3. REVERSE REEL PART NUMBER FOR 170286-1: 1-170286-1
 4. DIFFERENT PLATING THICKNESS PRODUCT FROM 170286-2.
1. 使用ハウジング型番: 171358, 171892 他。
 2. 嵌合タブコンタクト型番: 170221, 170308 他。
 3. 170286-1の逆巻き型番: 1-170286-1
 4. 170286-2のめっき厚違い品。



170289-3	SELECTIVE GOLD PL	PH BRZ TEMP#4	170286-4 ⁴
170289-2	SELECTIVE GOLD PL	PH BRZ TEMP#4	170286-2
170289-1	PRE-TINNED	PH BRZ TEMP#4	170286-1
LOOSE PIECE No.	FINISH	MATERIAL	PART NUMBER

TOLERANCE UNLESS OTHERWISE SPECIFIED

一般公差	
10 ≥	: ±0.2
30 ≥ > 10	: ±0.25
100 ≥ > 30	: ±0.3
ANGLE	: ±0.3°

WIRE RANGE

AWG NO.
#20~#14
(0.5~2mm² SQ)

INSUL RANGE

2.2~3.4 DIA

THIS DRAWING IS A CONTROLLED DOCUMENT.

DIMENSIONS:	TOLERANCES UNLESS OTHERWISE SPECIFIED:
単位: 耗 mm	一般公差
	0 PLC ±-
	1 PLC ±-
	2 PLC ±-
	3 PLC ±-
	4 PLC ±-
ANGLES ±-	
MATERIAL 材料	FINISH 仕上
SEE TABLE	SEE TABLE

DWN T.SHINOHARA 19NOV07	TE Connectivity		NAME 名称
CHK K.BETSUI 19NOV07			
APVD K.BETSUI 19NOV07	MULTI INTER LOCK CONNECTOR RECEPTACLE		
PRODUCT SPEC 製品規格 108-5093, 108-5099	SIZE	CAGE CODE	DRAWING NO 番号
APPLICATION SPEC 取付適用規格 114-5004	A3	00779	C-170286
WEIGHT 0.6 g	CUSTOMER DRAWING		RESTRICTED TO -
SCALE 尺度 5:1		SHEET 1 OF 1	REV E3