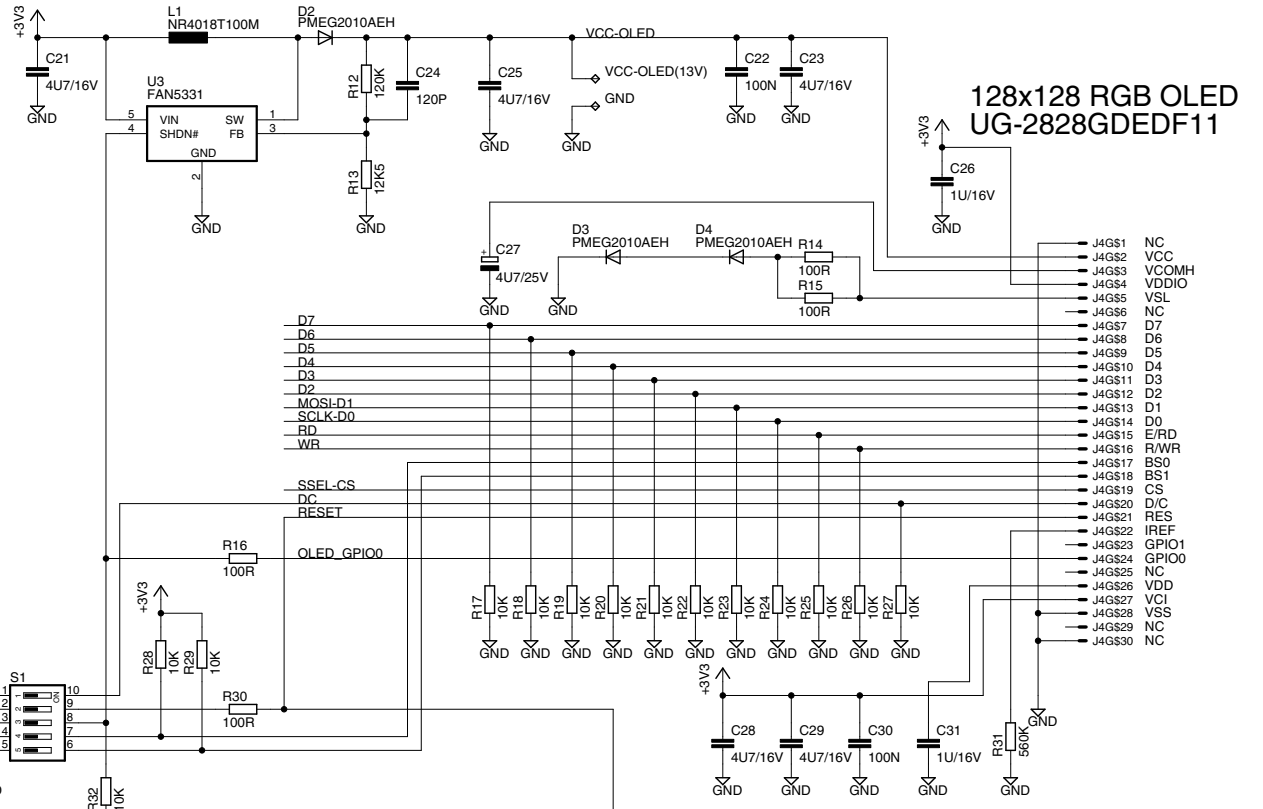


Memory LCD Adapter Module

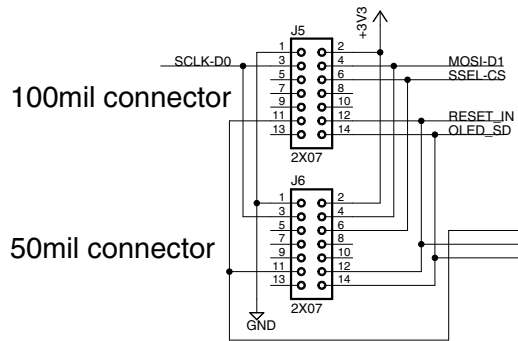
OLED voltage (13V)



128x128 RGB OLED
UG-2828GDEDF11

Serial Expansion Connector

| | |
|-----------------|--------------------------|
| 1: GND | 2: VCC (3.3V, max 250mA) |
| 3: SPI-SCK | 4: SPI-MOSI |
| 5: SPI-MISO | 6: SPI-SSEL |
| 7: UART-RX/GPIO | 8: UART-TX/GPIO |
| 9: I2C-SCL | 10: I2C-SDA |
| 11: GPIO | 12: GPIO |
| 13: AIN0/GPIO | 14: AIN3/AOUT/GPIO |



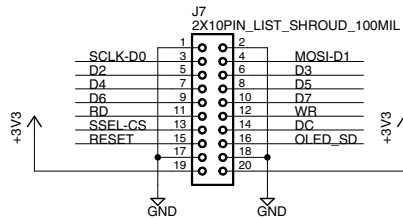
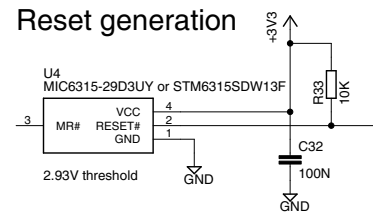
100mil connector

Configuration settings

| BS1/BS0 | Interface |
|---------|---------------|
| 0/0 | 4-wire SPI |
| 0/1 | 3-wire SPI |
| 1/0 | 8000-parallel |
| 1/1 | 6800-parallel |

0 = switch in "on" position
1 = switch not in "on" position

Reset generation



(C) Embedded Artists AB

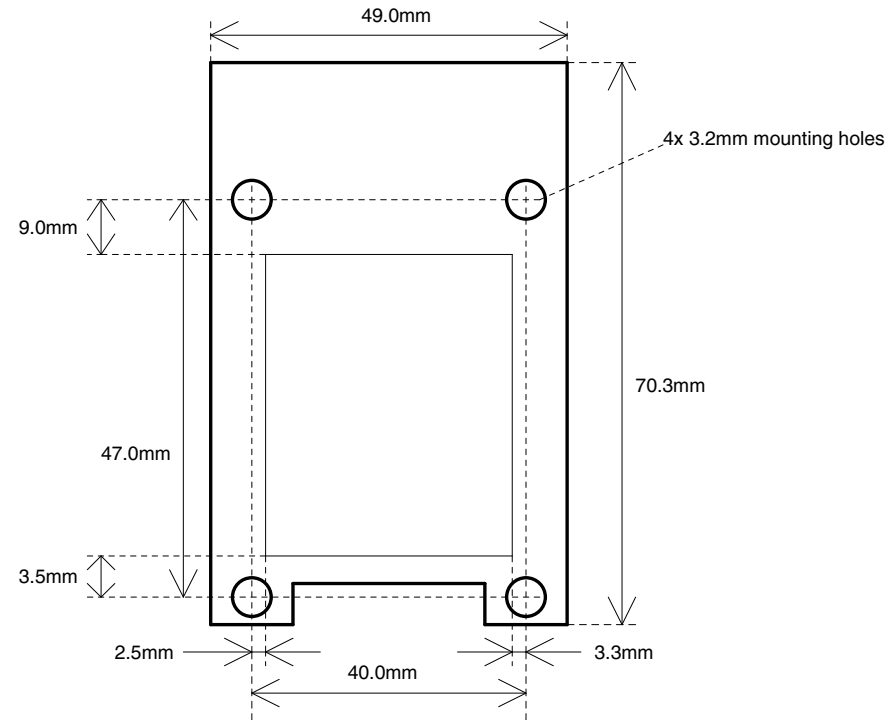
TITLE: RGB OLED Adapter Board rev A

Document Number:

Date: 2012-08-22 17:41:36

Sheet: 1/2

Module Measurements



© Embedded Artists AB

TITLE: RGB OLED Adapter Board rev A

Document Number:

Date: 2012-08-22 17:41:36

Sheet: 2/2