

Safety module - AXL F LPSDO8/3 1F - 2702171

Please be informed that the data shown in this PDF Document is generated from our Online Catalog. Please find the complete data in the user's documentation. Our General Terms of Use for Downloads are valid (<http://phoenixcontact.com/download>)



Safety-related digital output module, IP20 protection, for the SafetyBridge system. The module has four safe digital outputs with two-channel occupancy or 8 safe digital outputs with single-channel occupancy

Product Description


The safety module is an output module from the Axioline F product range with integrated safety logic designed for use in a SafetyBridge Technology V3 system. The safety module can be used as part of an Axioline F station at any point within an EtherCAT[®], EtherNet/IP[™], Sercos, Modbus, PROFINET or PROFIBUS system. The module has four safe digital outputs for two-channel assignment or eight safe digital outputs for single-channel assignment.

Why buy this product

- ✓ Cost-effective system configuration, as no safety PLC or safe fieldbus system is required
- ✓ Flexible use, thanks to compatibility with all bus couplers from the Axioline F range
- ✓ Reduced installation time, thanks to fast wiring and easy handling
- ✓ Easy configuration using the free SAFECONF software
- ✓ Up to SIL 3 according to EN 61508
- ✓ Up to SILCL 3 according to EN 62061
- ✓ Up to cat. 4/PL e according to EN ISO 13849-1



Key Commercial Data

Packing unit	1 STK
GTIN	 4 055626 004983
GTIN	4055626004983

Technical data

Dimensions

Width	53.6 mm
Height	126.1 mm
Depth	54 mm
Note on dimensions	Housing dimensions

Safety module - AXL F LPSDO8/3 1F - 2702171

Technical data

Ambient conditions

Ambient temperature (operation)	-35 °C ... 60 °C (Mounting position: any)
Ambient temperature (storage/transport)	-40 °C ... 85 °C
Permissible humidity (operation)	10 % ... 75 % (on average, 85% infrequently, non-condensing)
Permissible humidity (storage/transport)	10 % ... 75 % (non-condensing)
Air pressure (operation)	70 kPa ... 108 kPa (up to 3000 m above sea level)
Air pressure (storage/transport)	66 kPa ... 108 kPa (up to 3500 m above sea level)
Degree of protection	IP20

Interfaces

Designation	Axioline F local bus (Note: not suitable for use in the Axioline F local bus of the Phoenix Contact AXC 3050 controller)
No. of channels	1
Connection method	Bus base module

Digital outputs

Output name	Digital outputs
Connection method	Direct plug-in technology
Connection technology	2, 3-wire
Number of outputs	4 (with two-channel assignment)
	8
Type of protection	Overload protection, freewheeling circuit for inductive loads, Discharge circuit for accelerated discharge of capacitive loads
Output voltage	24 V DC
Output current	max. 2 A (per channel)
	max. 1.5 A (per channel according to CUL_{US})
	max. 4 A (per group)
	max. 3 A (per group according to CUL_{US})
	max. 8 A (Total current of all outputs; Please observe the notes in the user manual.)
	max. 6 A (Total current of all outputs according to CUL_{US})
Maximum output current per channel	2 A
Maximum output current per module / terminal block	8 A

General

Mounting type	DIN rail
Net weight	222 g
Note on weight specifications	with connectors and bus base module

Axioline potentials

Designation	Axioline F local bus supply (U_{Bus})
Supply voltage	5 V DC (via bus base module)
Current consumption	typ. 260 mA (all outputs set; power supply by U_o of 19.2 V DC to 30.2 V DC)
	max. 280 mA

Safety module - AXL F LPSDO8/3 1F - 2702171

Technical data

Axioline potentials

Designation	Supply for digital output modules (U _o)
Supply voltage	24 V DC
Supply voltage range	19.2 V DC ... 30.2 V DC (including all tolerances, including ripple)
Current consumption	typ. 25 mA (all outputs set; power supply by U _o with 30.2 V DC; without power supply to the actuator)
Type of protection	Protection against polarity reversal, EMC protective circuit, undervoltage detection

SafetyBridge properties

Connection to I/O modules	max. 16 (safe digital I/O modules)
Logic memory	30 kByte

Safety-related characteristic data

Designation	IEC 61508 - High demand
Safety Integrity Level (SIL)	max. 3 (two channel; dependent in parameterization and wiring)
Designation	IEC 61508 - Low demand
Safety Integrity Level (SIL)	max. 3 (two channel; dependent in parameterization and wiring)
Designation	EN ISO 13849
Performance level (PL)	max. e (two channel; dependent in parameterization and wiring)
Category	max. 4 (two channel; dependent in parameterization and wiring)
Designation	EN 62061
Safety Integrity Level Claim Limit (SIL CL)	max. 3 (two channel; dependent in parameterization and wiring)

Standards and Regulations

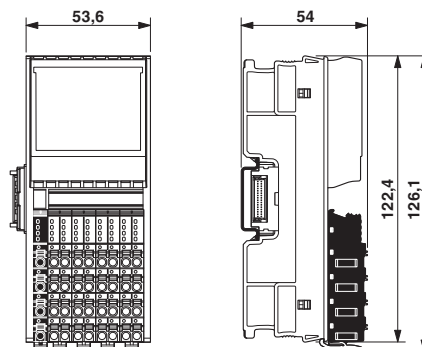
Protection class	III, IEC 61140, EN 61140, VDE 0140-1
------------------	--------------------------------------

Environmental Product Compliance

China RoHS	Environmentally friendly use period: unlimited = EFUP-e
	No hazardous substances above threshold values

Drawings

Dimensional drawing



Safety module - AXL F LPSDO8/3 1F - 2702171

Approvals

Approvals

Approvals

UL Listed / cUL Listed / Functional Safety / Functional Safety / cULus Listed

Ex Approvals

Approval details

UL Listed		http://database.ul.com/cgi-bin/XYV/template/LISEXT/1FRAME/index.htm	FILE E 238705
-----------	--	-------------------------------------------------------------------------------------------------------------------------------------------------------	---------------

cUL Listed		http://database.ul.com/cgi-bin/XYV/template/LISEXT/1FRAME/index.htm	FILE E 238705
------------	--	-------------------------------------------------------------------------------------------------------------------------------------------------------	---------------

Functional Safety			968/EZ 424.05/17
-------------------	--	--	------------------

Functional Safety			968/EZ 424.05/17
-------------------	--	--	------------------

cULus Listed			
--------------	--	--	--

Phoenix Contact 2018 © - all rights reserved
<http://www.phoenixcontact.com>

PHOENIX CONTACT GmbH & Co. KG
Flachsmarktstr. 8
32825 Blomberg
Germany
Tel. +49 5235 300
Fax +49 5235 3 41200
<http://www.phoenixcontact.com>