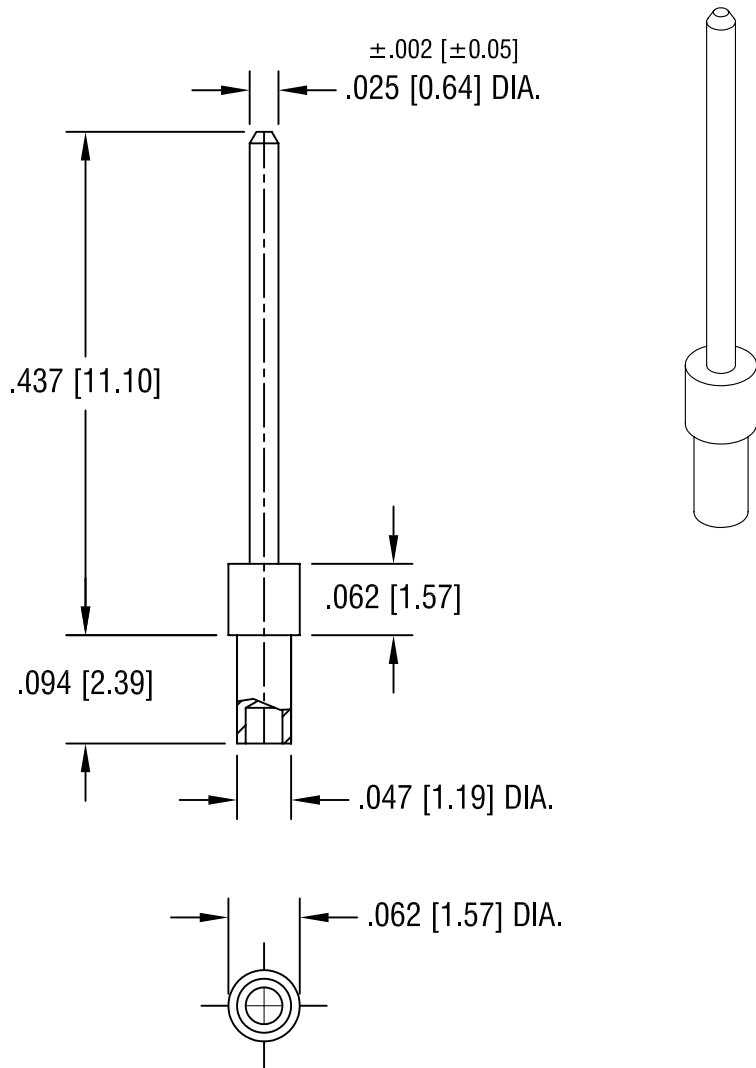


THIS DOCUMENT IS THE PROPERTY OF
KEYSTONE ELECTRONICS CORP. AND
SHALL NOT BE REPRODUCED, DISTRIBUTED
OR USED AS A BASIS FOR MANUFACTURE
WITHOUT PRIOR WRITTEN PERMISSION
FROM KEYSTONE ELECTRONICS CORP.



KEYSTONE ELECTRONICS CORP.

ASTORIA, N.Y. 11105-2017

PART NAME

MICRO PIN, SWAGE MOUNT

MATERIAL

BRASS

FINISH

GOLD PLATE

DRN BY

BOONE

DATE

2.22.07

APP'D

LN

SCALE

6X

4.16.08

CHANGE AS PER ECN 08-101

A

TOLERANCES

INCH [MM]

DECIMAL

$\pm .005$ [± 0.15]

ANGULAR

$\pm 1^\circ$

UNLESS OTHERWISE SPECIFIED

CODE

C

DWG NO.

1370-2

DATE

DESCRIPTION

REV.