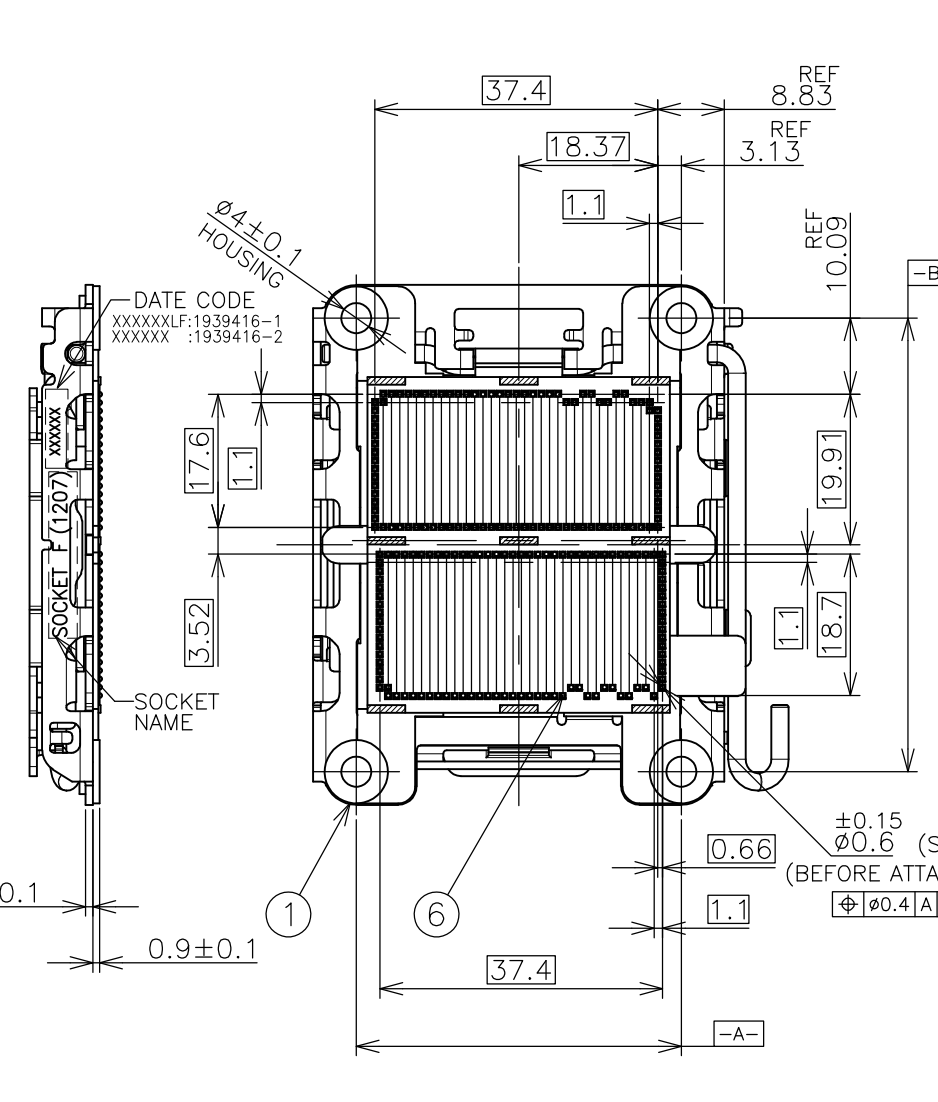
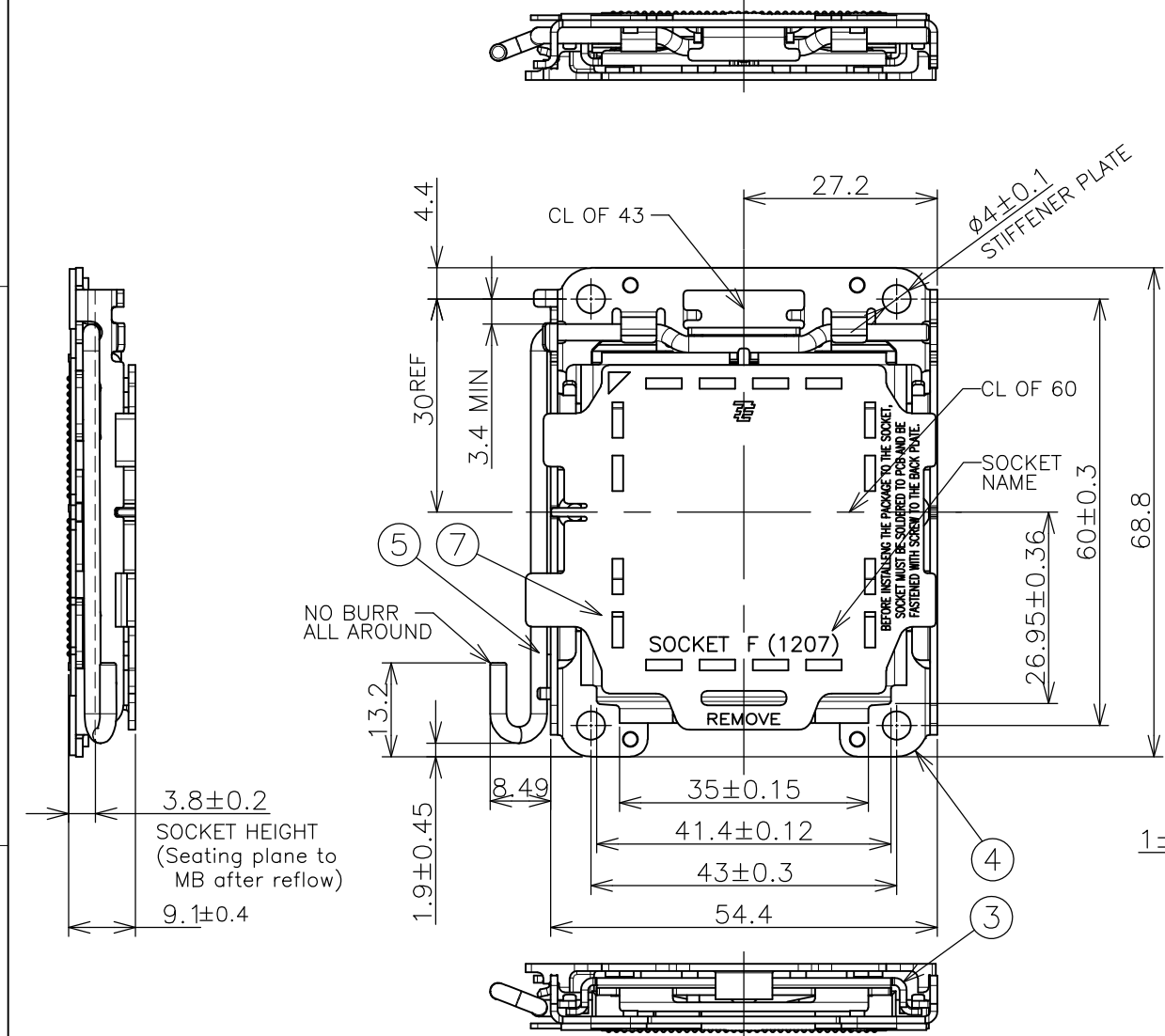
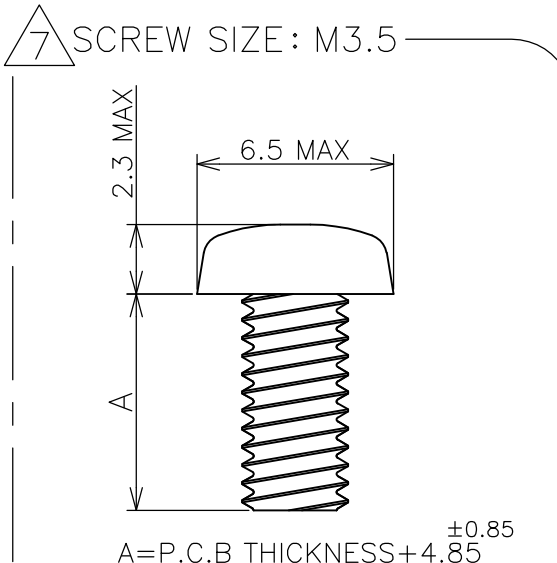
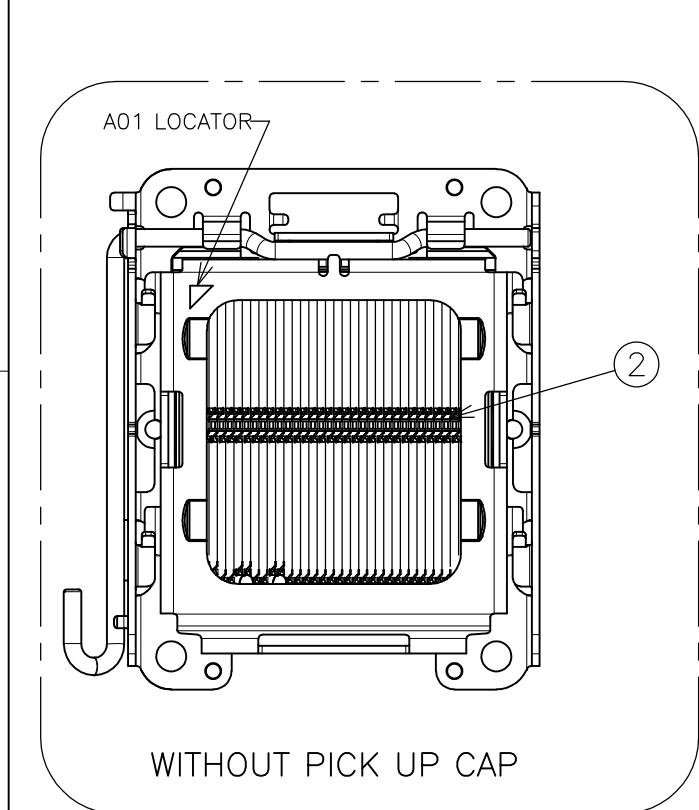


THIS DRAWING IS UNPUBLISHED. RELEASED FOR PUBLICATION
 © COPYRIGHT BY TYCO ELECTRONICS CORPORATION. ALL RIGHTS RESERVED.

LOC	DIST	REVISIONS		
J	/	P	LTR	DESCRIPTION
		C		REVISED PER ECR-10-008485
				DATE
				30APR10
				DWN
				HMR
				APVD
				TM



- 1 MATERIAL
 - HSG: THERMO-PLASTIC
 - CONTACT: COPPER ALLOY
 - UPPER PLATE: STAINLESS STEEL
 - STIFFENER PLATE: STAINLESS STEEL
 - LEVER: STAINLESS STEEL
 - SOLDER BALL: Sn/Ag/Cu OR Sn/Ag FOR LEAD FREE
Sn/Pb FOR LEADED
- 2 FINISH
 - CONTACT: GOLD PLATE AT CONTACT AREA
ON OVERALL Ni UNDER PLATE.
- 3 THE SCREW FOR FIXATION OF BACK PLATE: M3.5
- 4 RECOMMENDED TIGHTENING TORQUE:
0.35~0.45Nm(3.5~4.5kgf·cm)
- 5 PLEASE REFER TO THE INSTRUCTION SHEET FOR THE HANDLING OF THIS SOCKET.
- 6 PLEASE USE THIS SOCKET TOGETHER WITH BACK PLATE.
BACK PLATE P/N:1827213-01
- 7 SIZE OF SCREW FOR FIXATION OF BACK PLATE .
- 8 PLEASE INSERT CPU AFTER FIXATION OF BACK PLATE WITH THE SCREW.
- 9 PLEASE INSERT CPU AFTER REMOVING PICK UP CAP.



RECOMMEND SCREW LENGTH	
P.C.B THICKNESS	SCREW LENGTH
1.6mm	6 ± 0.3mm
2.4mm	7 ± 0.3mm

HARD TRAY (8EA/TRAY)	LEADED	1939416-2
HARD TRAY (8EA/TRAY)	LEAD FREE	1939416-1
PACKING TYPE	SOLDER BALL TYPE	PART NO.

PICK UP CAP	7
SOLDER BALL	6
LEVER	5
STIFFENER PLATE	4
UPPER PLATE	3
CONTACT	2
HOUSING	1
NAME	ITEM NO.

THIS DRAWING IS A CONTROLLED DOCUMENT.

DWN	M.INOUE	01JUN2006	Tyco Electronics AMP K.K. Kawasaki, Japan
CHK	H.SHIRAI	01JUN2006	
APVD	H.SHIRAI	01JUN2006	
PRODUCT SPEC	製品規格		SOCKET F (1207) 0 DEGREE LEFT LEVER TYPE
APPLICATION SPEC	取付適用規格		
WEIGHT	A3 00779		DRAWING NO 番号
CUSTOMER DRAWING			RESTRICTED TO
SCALE 1:1			SHEET 1 OF 4
REV C			

4

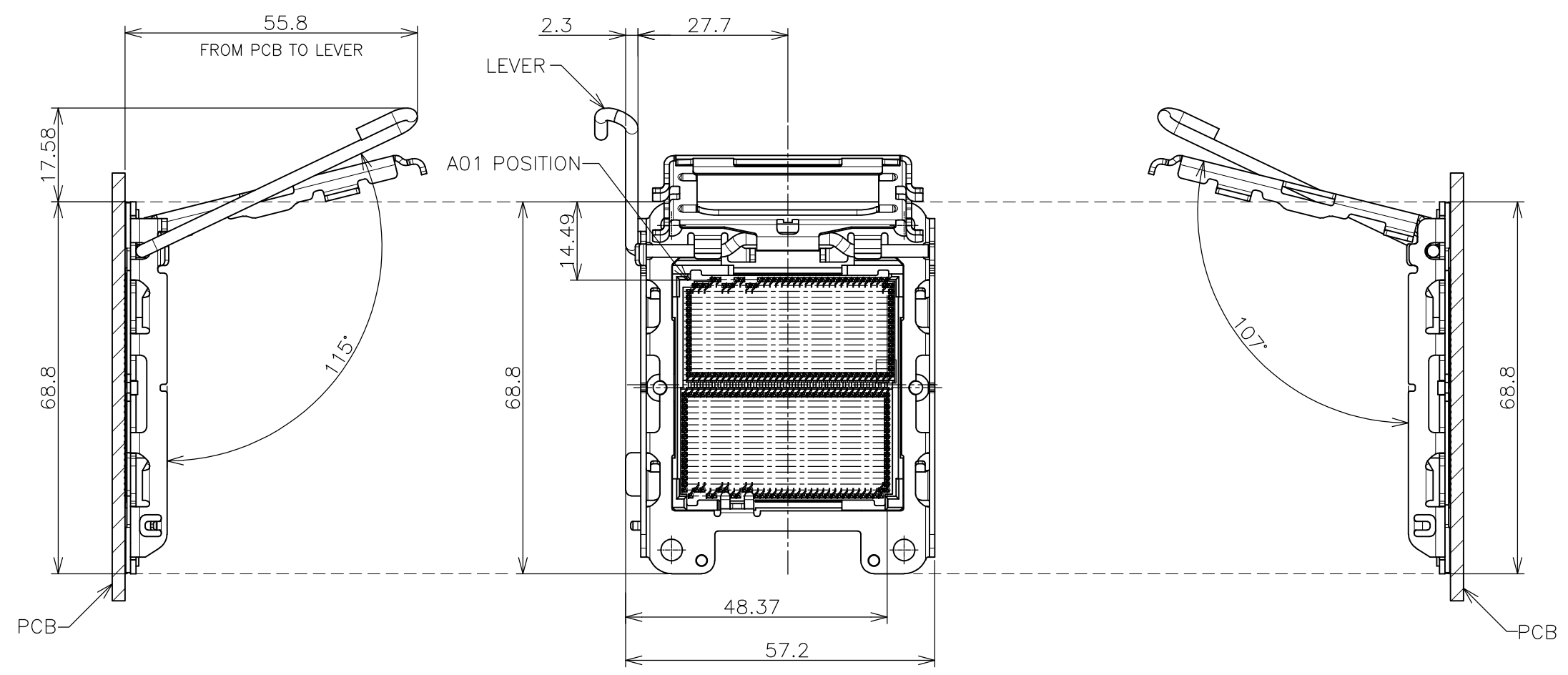
3

2

1

THIS DRAWING IS UNPUBLISHED. RELEASED FOR PUBLICATION
 © COPYRIGHT BY TYCO ELECTRONICS CORPORATION. ALL RIGHTS RESERVED.

LOC	DIST	REVISIONS					
J	/	P	LTR	DESCRIPTION	DATE	DWN	APVD
		-		SEE SHEET 1	-	-	-

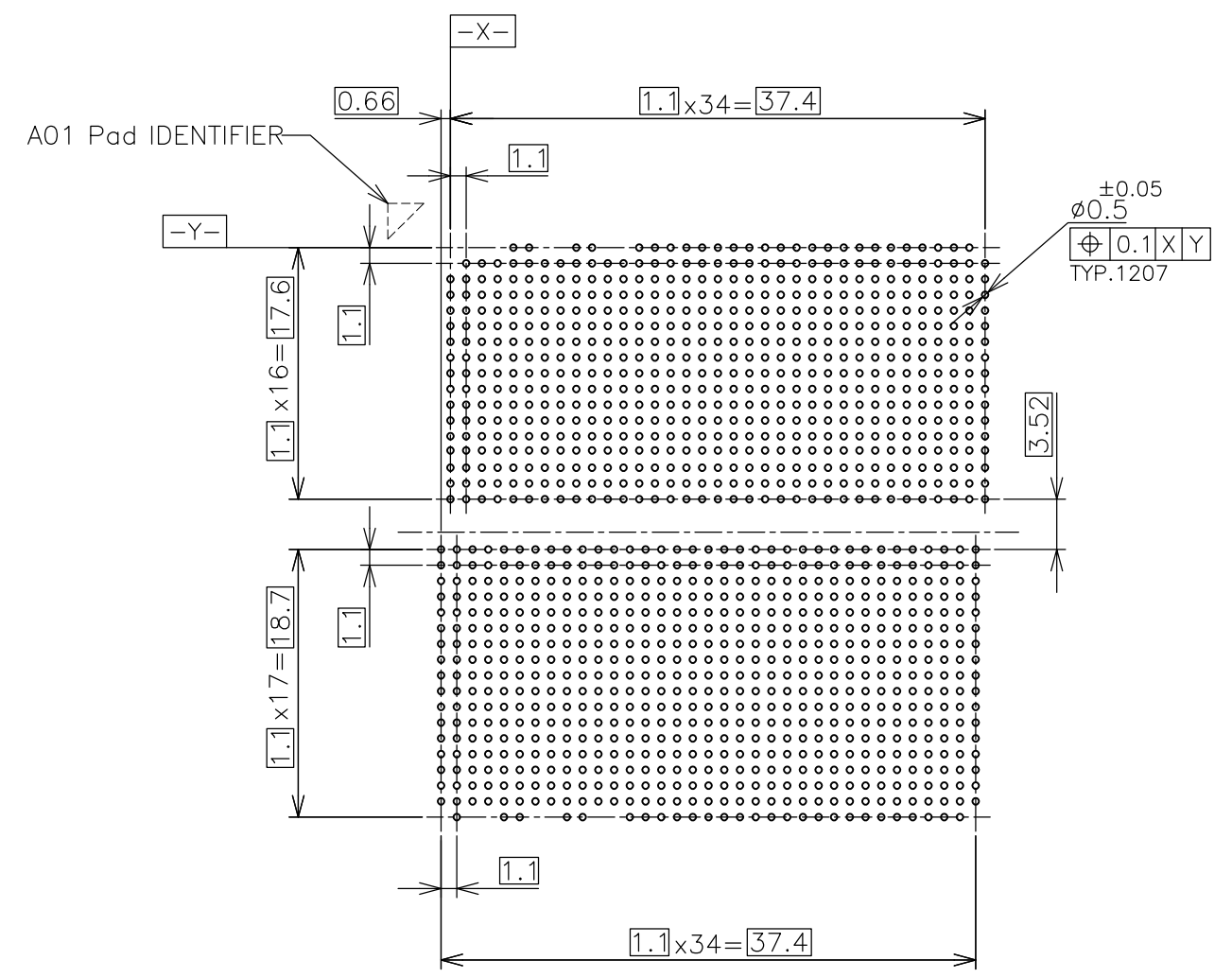
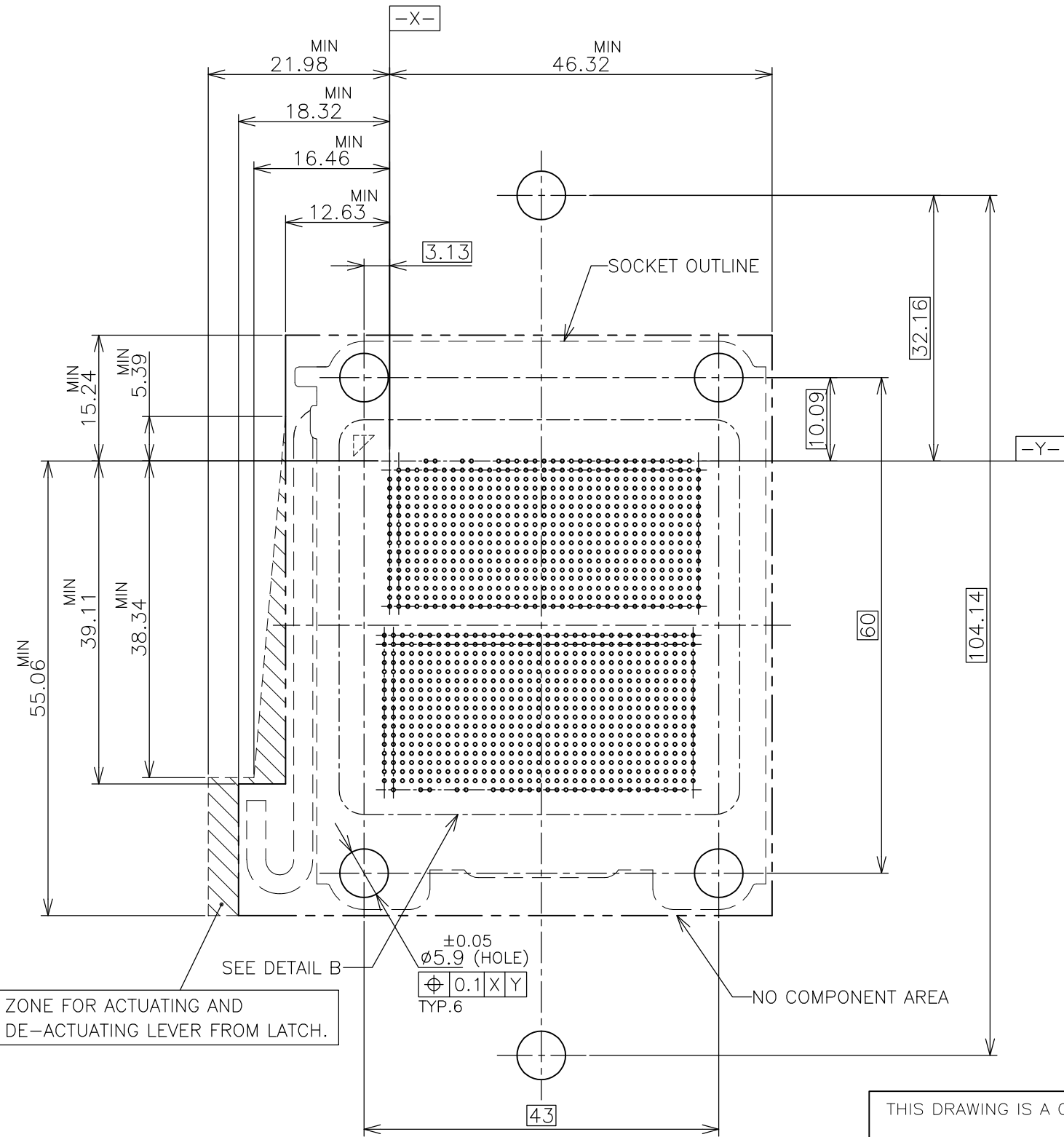


ALL DIMENSIONS OF THIS SHEET ARE REFERENCE DIMENSIONS.

THIS DRAWING IS A CONTROLLED DOCUMENT.		DWN	Tyco Electronics AMP K.K.		
DIMENSIONS: 单位: 耗 mm		CHK	Kawasaki, Japan		
TOLERANCES UNLESS OTHERWISE SPECIFIED: 一般公差		APVD	NAME 名称		
<ul style="list-style-type: none"> 0 PLC ± 1 PLC ± 2 PLC ± 3 PLC ± 4 PLC ± ANGLES ± FINISH 仕上 		PRODUCT SPEC 製品規格	SOCKET F (1207)		
MATERIAL 材料		APPLICATION SPEC 取付適用規格	0 DEGREE LEFT LEVER TYPE		
		WEIGHT	SIZE	CAGE CODE	DRAWING NO 番号
			A3	00779	C-1939416
		CUSTOMER DRAWING	RESTRICTED TO	SCALE 尺度	SHEET 2 OF 4
			-	2:1	REV C

THIS DRAWING IS UNPUBLISHED. RELEASED FOR PUBLICATION
 © COPYRIGHT BY TYCO ELECTRONICS CORPORATION. ALL RIGHTS RESERVED.

LOC	DIST	REVISIONS					
J	/	P	LTR	DESCRIPTION	DATE	DWN	APVD
		-		SEE SHEET 1	-	-	-

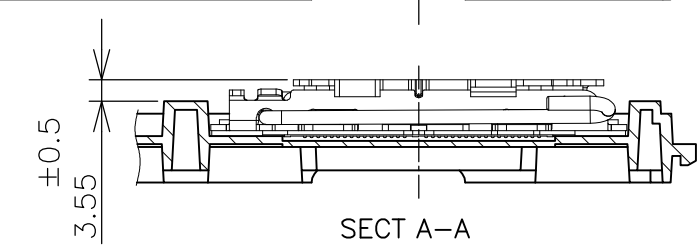
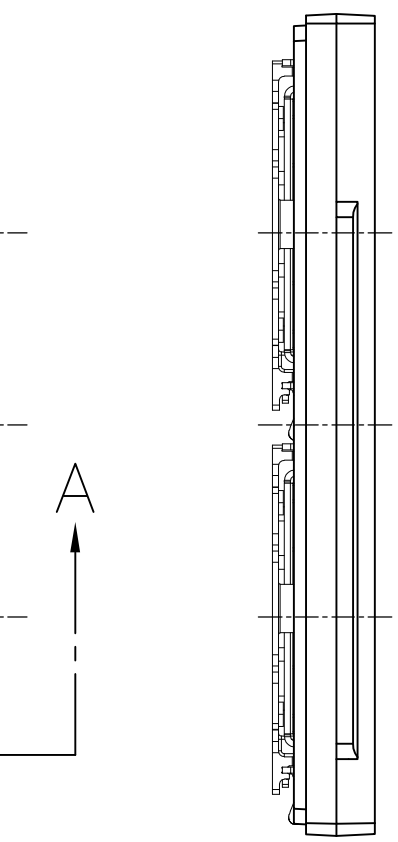
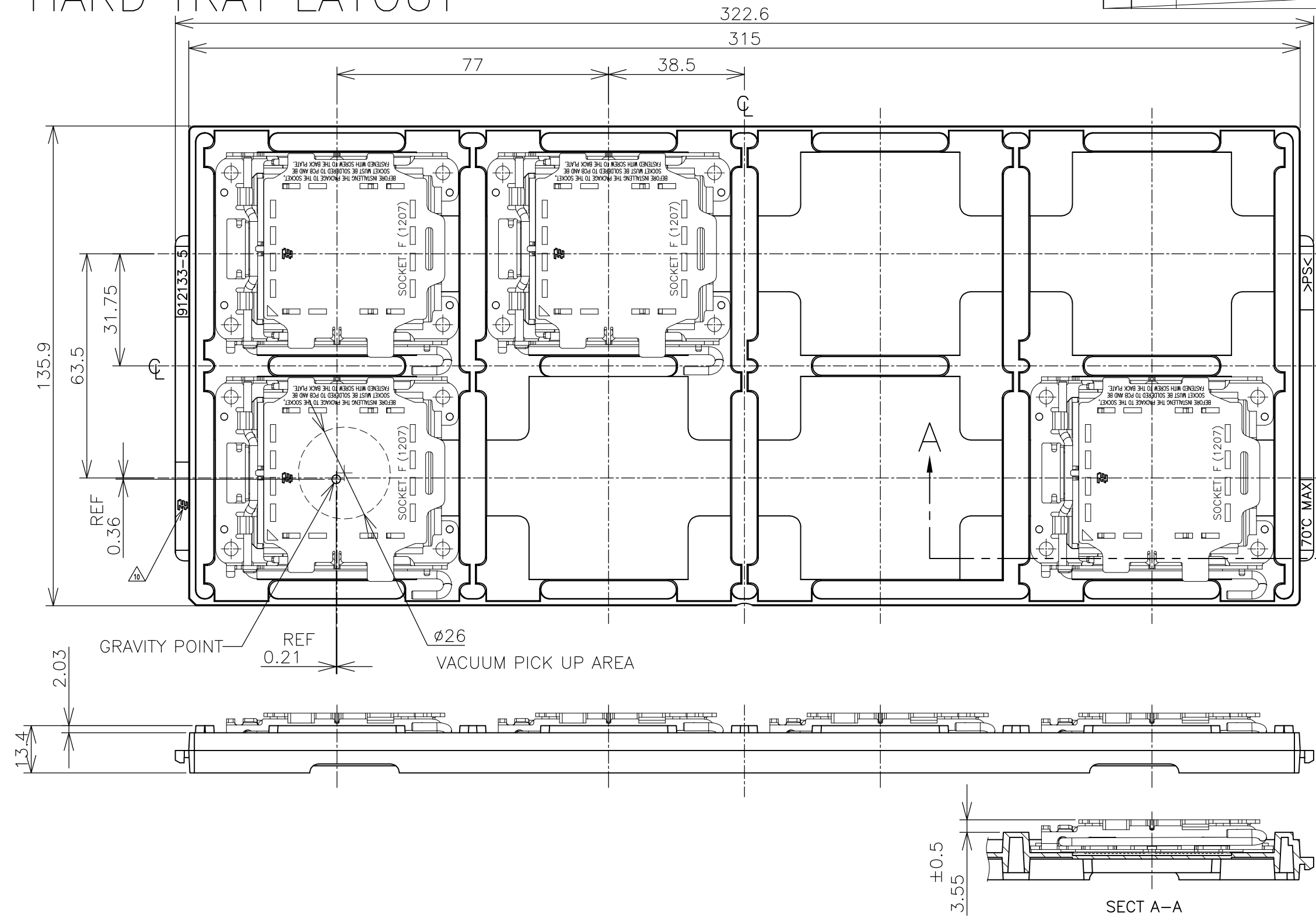


THIS DRAWING IS A CONTROLLED DOCUMENT.		DWN		Tyco Electronics AMP K.K.	
DIMENSIONS: 单位: 耗 mm		CHK		Kawasaki, Japan	
TOLERANCES UNLESS OTHERWISE SPECIFIED: 一般公差		APVD		NAME 名称	
0-PLC ± 1-PLC ± ±0.3 2-PLC ± ±3° 3-PLC ± 4-PLC ± ANGLES ±		PRODUCT SPEC 製品規格		SOCKET F (1207) 0 DEGREE LEFT LEVER TYPE	
MATERIAL 材料		FINISH 仕上		APPLICATION SPEC 取付適用規格	
		WEIGHT		DRAWING NO 番号	
		CUSTOMER DRAWING		RESTRICTED TO	
		SCALE 尺度 2:1		SIZE A3	
		SHEET 3 OF 4		CAGE CODE 00779	
		REV C		DRAWING NO 番号 G-1939416	

THIS DRAWING IS UNPUBLISHED. RELEASED FOR PUBLICATION
 © COPYRIGHT BY TYCO ELECTRONICS CORPORATION. ALL RIGHTS RESERVED.

LOC J	DIST /	P	LTR	REVISIONS 変更	DATE	DWN	APVD
				DESCRIPTION			
				SEE SHEET 1			

HARD TRAY LAYOUT



THIS DRAWING IS A CONTROLLED DOCUMENT.		DWN	Tyco Electronics AMP K.K.		
DIMENSIONS: 単位: 耗 mm		CHK	Kawasaki, Japan		
TOLERANCES UNLESS OTHERWISE SPECIFIED: 一般公差		APVD	NAME 名称		
<ul style="list-style-type: none"> 0 PLC ± 1 PLC ± ±0.3 2 PLC ± ±3° 3 PLC ± 4 PLC ± ANGLES ± 		PRODUCT SPEC 製品規格	SOCKET F (1207)		
MATERIAL 材料		FINISH 仕上	APPLICATION SPEC 取付適用規格	0 DEGREE LEFT LEVER TYPE	
		WEIGHT	SIZE A3	CAGE CODE 00779	DRAWING NO 番号 G-1939416
		CUSTOMER DRAWING	RESTRICTED TO	SCALE 尺度	SHEET 4 OF 4 REV C