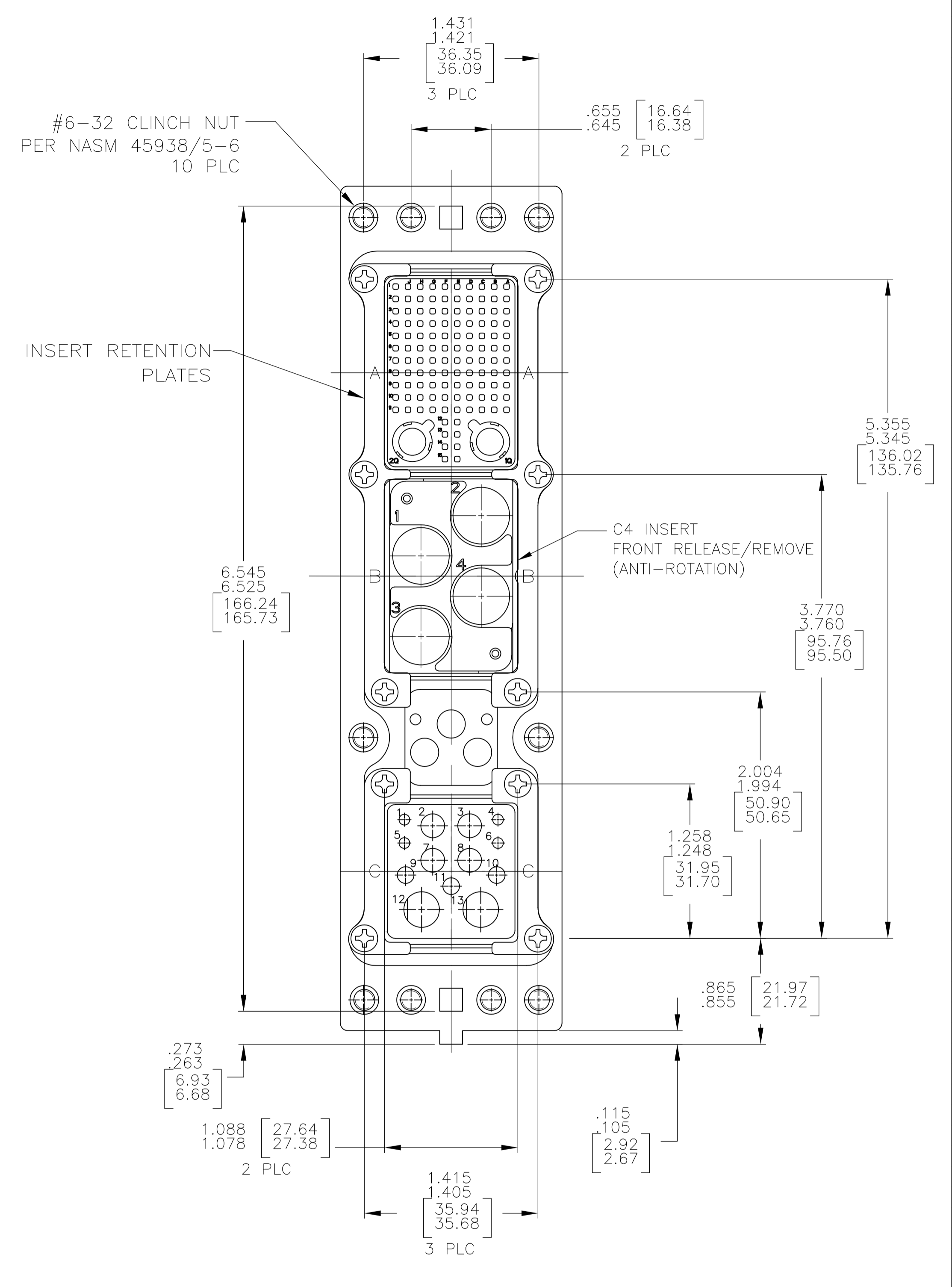
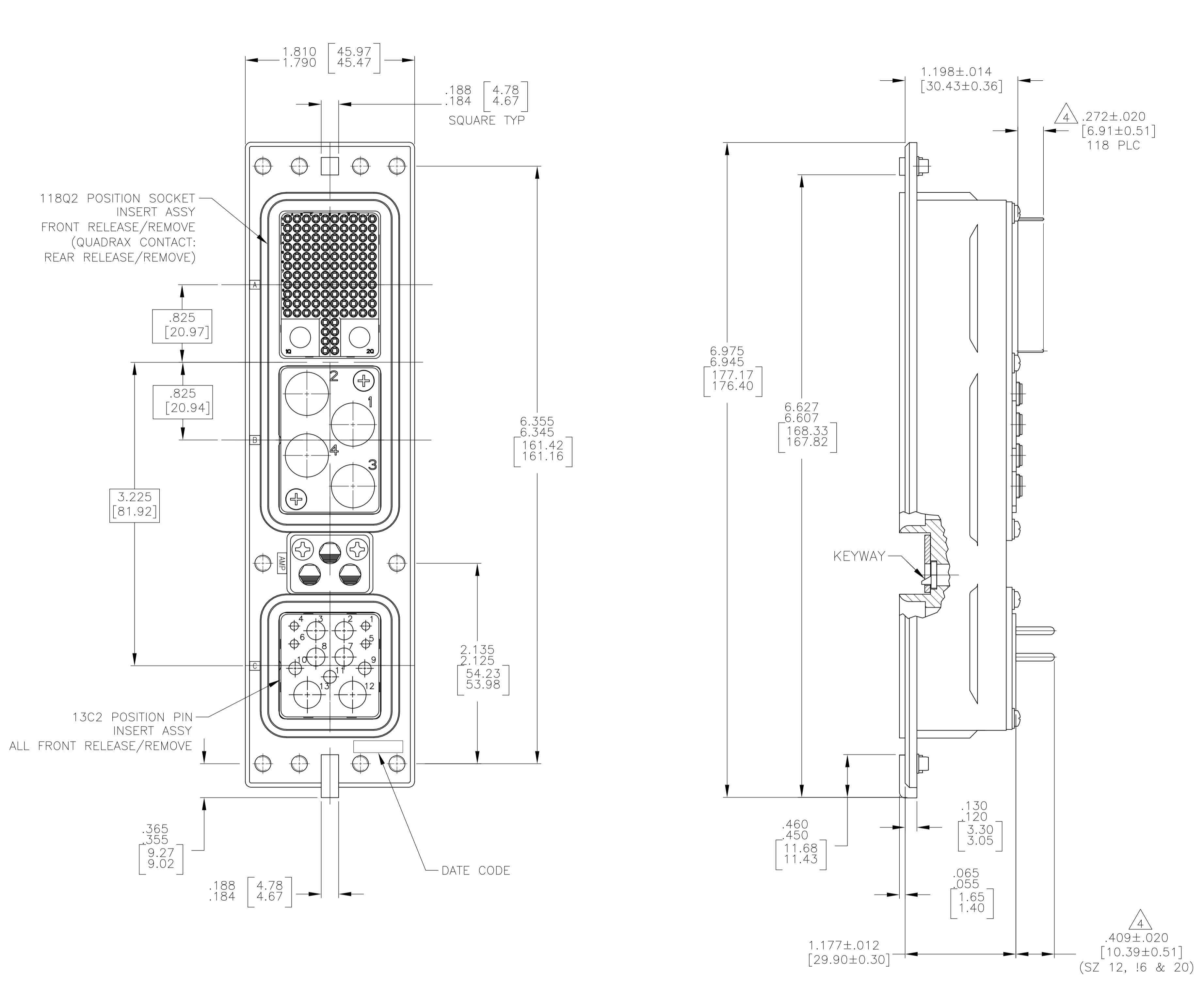


REVISED		REVISIONS		DATE	DWN	APVD	
LOC	DIST	P	LTR	DESCRIPTION	DATE	DWN	APVD
C	REV PER ECO-11-009146				10MAY11	PY	WB



COMPONENT	MATERIAL	FINISH
SHELL	DIE CAST ALUMINUM PER ASTM-B-85	CHEMICAL CONVERSION COATING PER MIL-C-5541, CLASS 1A
INSERT RETENTION PLATES	ALUMINUM ALLOY PER ASTM-B-209	CHEMICAL CONVERSION COATING PER MIL-C-5541, CLASS 1A
SCREWS AND LOCKWASHERS	STEEL OR STAINLESS STEEL	CHROMATE OVER ZINC OR PASSIVATED
POLARIZING KEYS	ZINC ALLOY PER ASTM-B-86	-
POLARIZING KEY RETAINING PLATE	ALUMINUM ALLOY PER ASTM-B-209	BLUE ANODIZED PER MIL-A-8625
120T2 & 13C2 INSERTS	THERMOSET OR THERMOPLASTIC PPS PER MIL-M-24519	-
C4 INSERT	ALUMINUM ALLOY	ELECTROLESS NICKEL

- CONNECTOR DIMENSIONS ARE PER ARINC 600 SPECIFICATION.
- CONNECTOR IS SUPPLIED WITH CONTACTS AS LISTED IN TABLE.
- KEYING SHOWN IN POSITION "01" FOR ILLUSTRATION ONLY. CONNECTORS SHIPPED WITH KEYING INSTALLED IN POSITION PER TABLE. FOR POSITION "00" KEYING HARDWARE SHIPPED UNASSEMBLED.
- WITH CONTACTS FULLY SEATED TO REAR OF CAVITY.
- DUST COVER IS INCLUDED AND INSTALLED (NOT SHOWN).
- CONTACTS NOT SHOWN IN FRONT & REAR VIEWS FOR CLARITY.

"00"	MODULE A 211431-4 (SIZE 22 POSTED SOCKET CONTACT; QTY=118) 1445692-1 (SIZE 8 QUADRAX PIN CONTACT (NOT INSTALLED); QTY=2) MODULE B 446748-1 (SIZE 1 SMA CONTACT; QTY=4) MODULE C 1663767-2 (SIZE 20 FILLER PLUG; QTY=4) 1663767-3 (SIZE 16 FILLER PLUG; QTY=3) 448140-6 (SIZE 12 POSTED PIN CONTACT; QTY=4) 1484205-1 (SIZE 5 FILLER PLUG; QTY=2)	2157036-1
KEYING POSITION	CONTACTS & FILLER PLUGS INCLUDED AND INSTALLED EXCEPT AS NOTED	PART NUMBER

THIS DRAWING IS A CONTROLLED DOCUMENT. DIMENSIONS: INCHES. TOLERANCES UNLESS OTHERWISE SPECIFIED: 0 PLC ± .005, 1 PLC ± .005, 2 PLC ± .005, 3 PLC ± .005, 4 PLC ± .005, ANGLES ± .005. MATERIAL: SEE TABLE. FINISH: SEE TABLE. DWG: C.C.THOMAS, 7-13-10. CHK: K.THACKSTON, 7-13-10. APVD: K.THACKSTON, 7-13-10. NAME: RCPT ASSY, SIZE 2, ARINC 600 (118Q2/C4/13C2). PRODUCT SPEC: APPLICATION SPEC. SIZE: A1. CASE CODE: 00779. DRAWING NO: 2157036. RESTRICTED TO: CUSTOMER DRAWING. SCALE: 3:2. SHEET: 1 OF 1. REV: C.