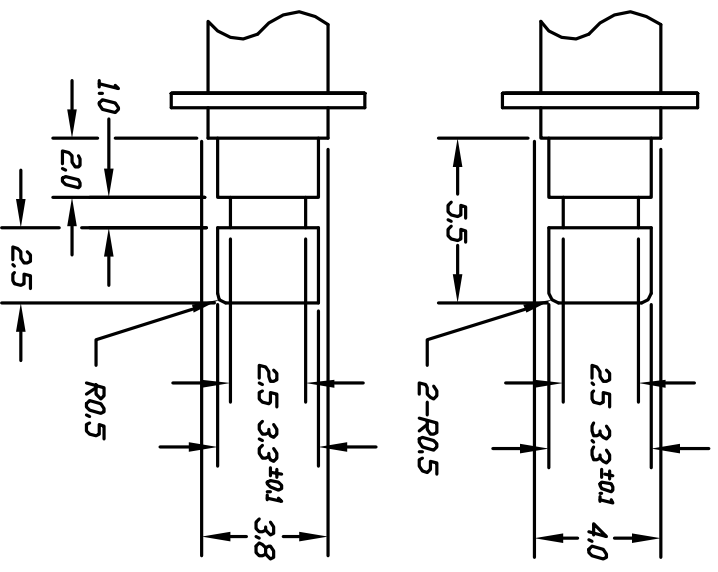
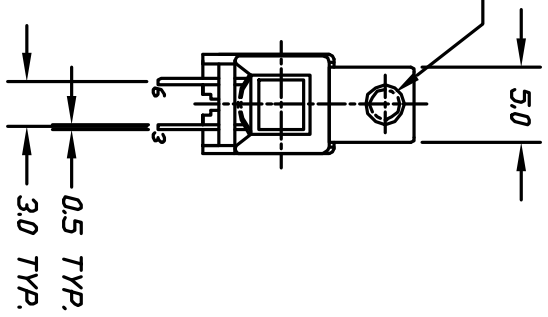
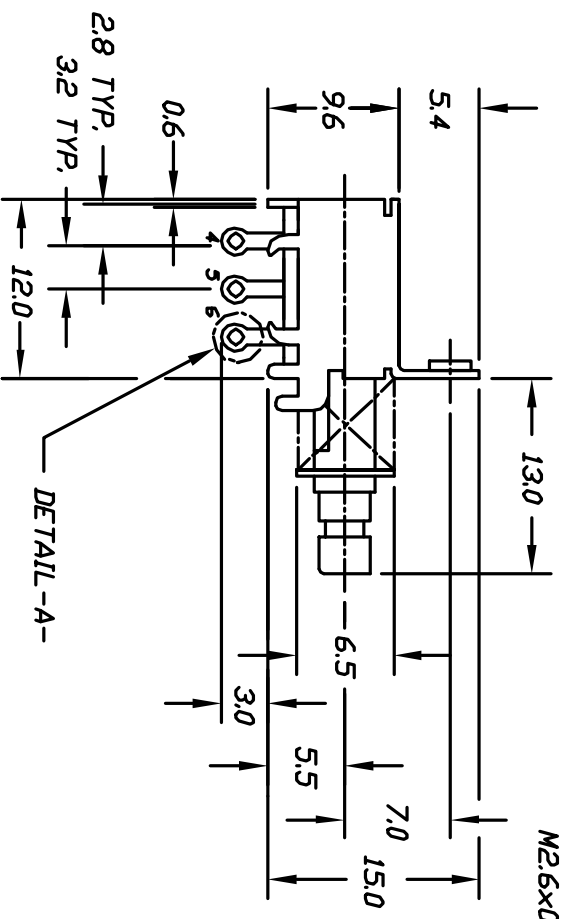
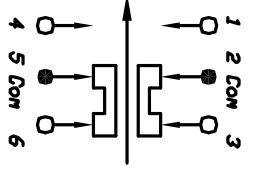


DETAIL-A- (SCALE 6:1)

CIRCUIT, DPDT



(ACTUATOR DETAIL) SCALE 4:1

NOTES:

1. ALL DIMENSIONS IN MM (IN)
2. TERM. NOS. FOR REF ONLY
3. RATING: DC 30V, 0.3A
4. OPERATING FORCE: 300±150gf
5. TRAVEL: FULL 3.5mm

A		RELEASED FOR PRODUCTION	DATE	CHKD	TITLE		SCALE	DATE	DR	DWG	REV				
REV.	DESCRIPTION				LC 2256 DA N S (NON-SHORTING)		2:1	3/21/97	MM	P070192	A				
<p style="text-align: center;">E-SWITCH®</p>															
<p style="text-align: center;">TOLERANCES</p> <table border="1"> <tr> <td>0.0</td> <td>±0.4</td> </tr> <tr> <td>0.00</td> <td>±0.25</td> </tr> </table>												0.0	±0.4	0.00	±0.25
0.0	±0.4														
0.00	±0.25														
<p style="text-align: center;">THE INFORMATION CONTAINED IN THIS DOCUMENT IS PROPRIETARY TO E-SWITCH AND IS NOT TO BE COPIED OR TRANSMITTED</p>															