

4

3

2

1

D

D

C

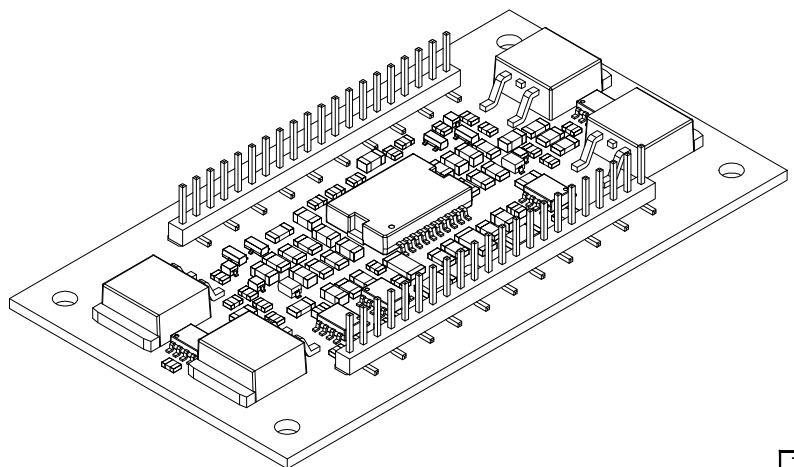
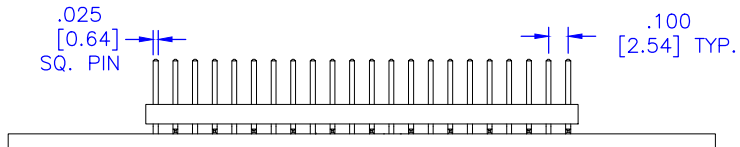
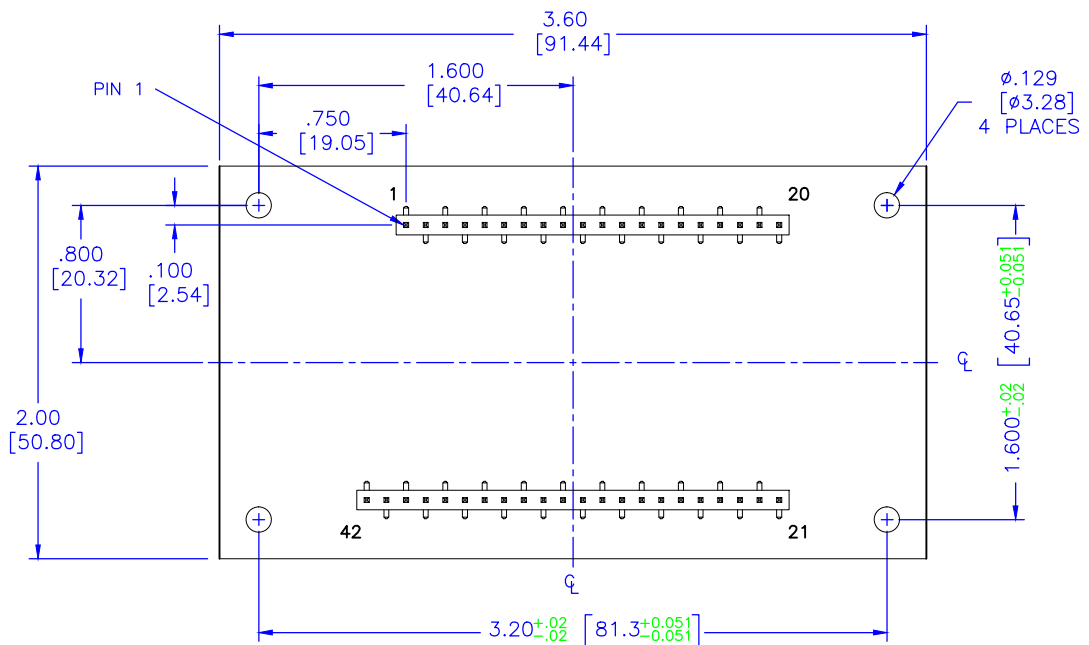
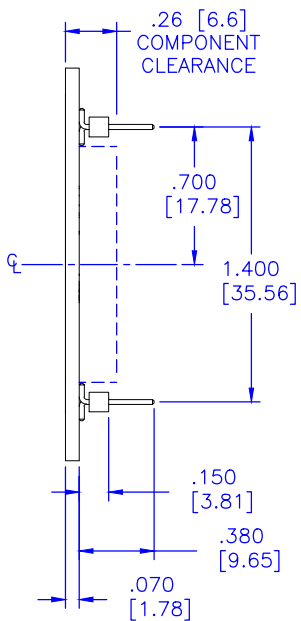
C

B

B

A

A



NOTES:

1. Dimensions are inches; alternate units are [mm].
2. Recommended PCB hole diameter for pins: .050 [1.27].
3. 2oz. copper over 600V dielectric over aluminum substrate.
4. Tin over nickel plated phosphor bronze pins.
5. Package weight:
6. Mount with #4 or equivalent screws.
7. It is not recommended that mounting of the package rely on the pins for mechanical support.

TOLERANCES - UNLESS OTHERWISE SPECIFIED .XX = ±.01 [.254] .XXX = ±.005 [.127] ANG. = ±5°		TITLE: MODULAR 42-pin DIP, 1.4" SPACING				MODEL:	KF
		SUB. ECT: PACKAGE OUTLINE				FILENAME: KF.dwg	
ENGINEER: JOE K.	DRAWN BY: J.FAY	DCA: 14500	SHL: 1	OF: 1	REV: A	DATE: 23JAN15	

4

3

2

1