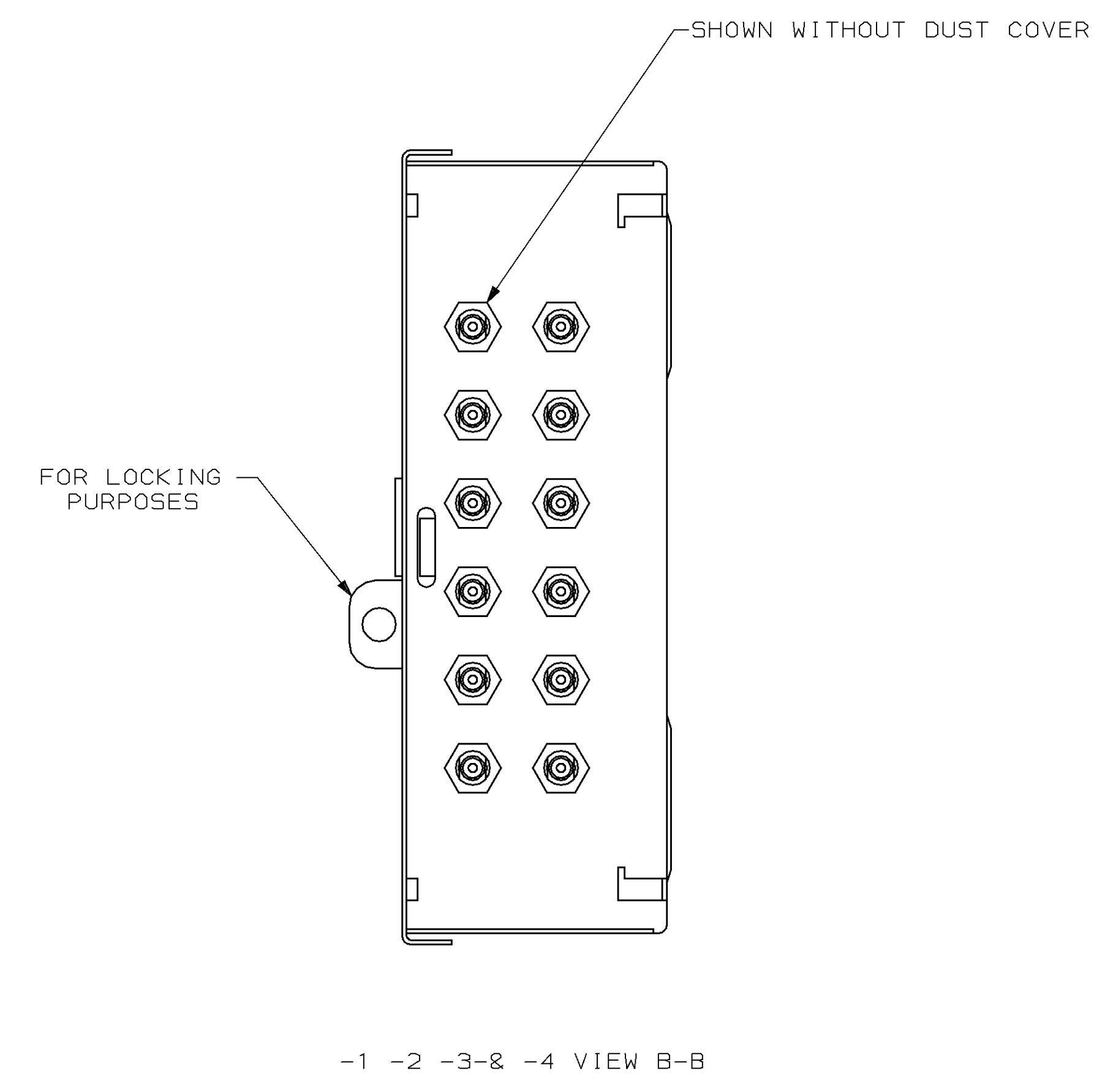
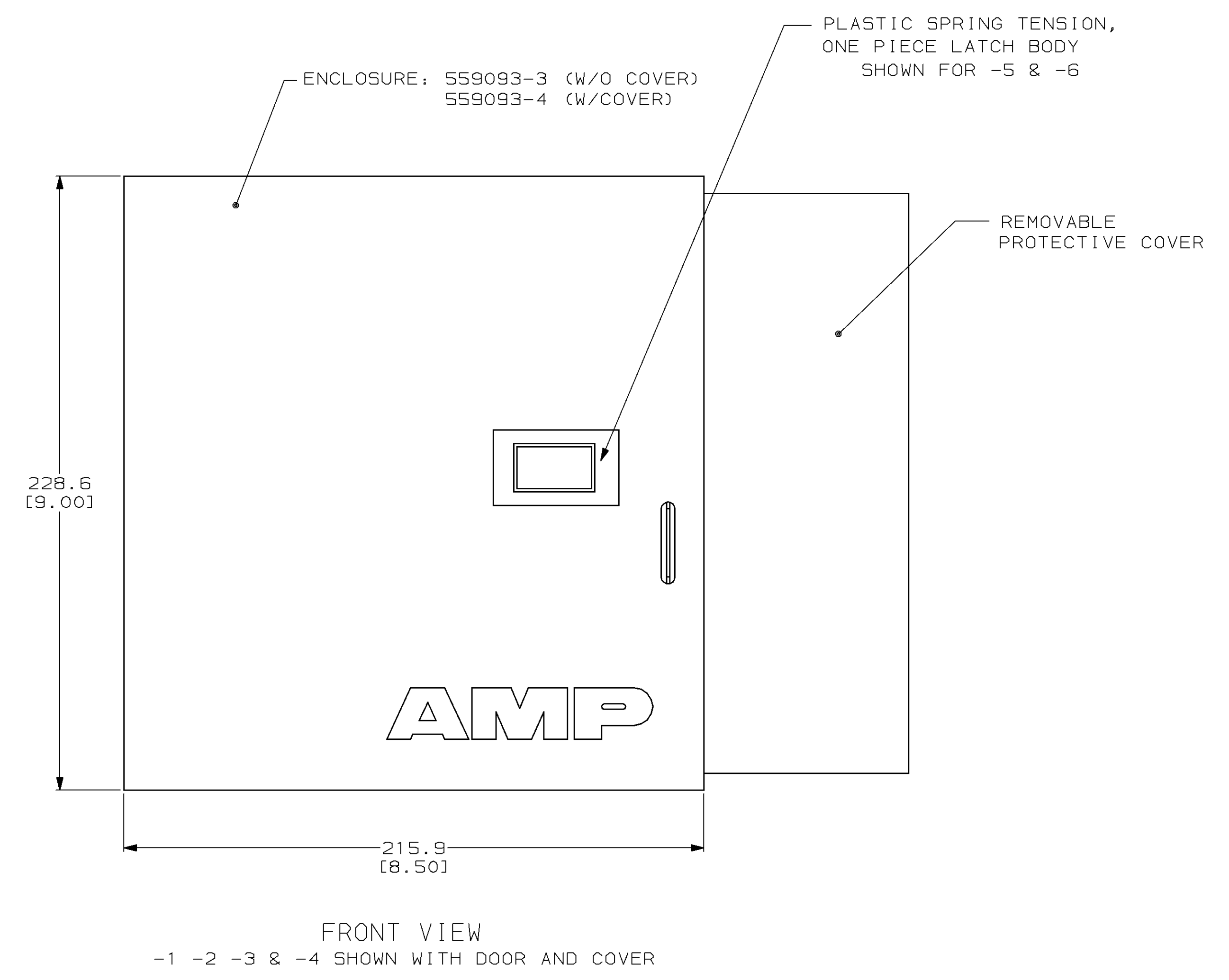
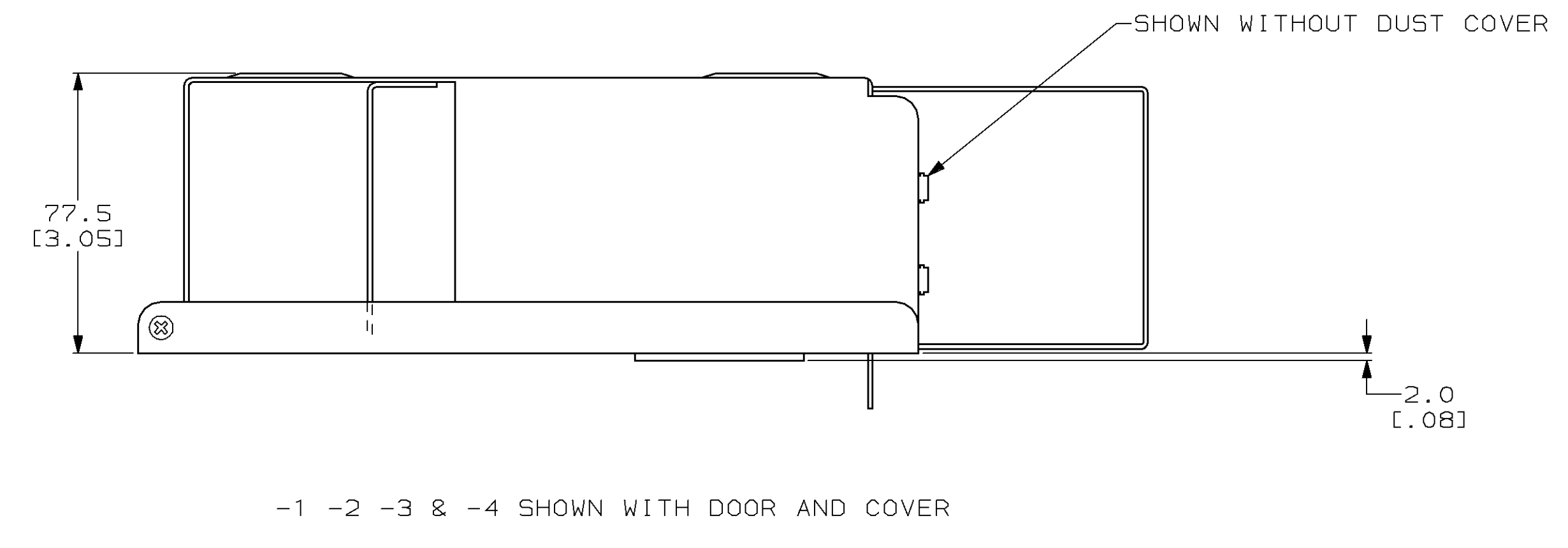


MULTIMODE	LIGHT ALMOND	WITH PROTECTIVE COVER	559094-6
MULTIMODE	LIGHT ALMOND	WITHOUT PROTECTIVE COVER	559094-5
SINGLEMODE	BLACK ANODIZED	WITH PROTECTIVE COVER	559094-4
SINGLEMODE	BLACK ANODIZED	WITHOUT PROTECTIVE COVER	559094-3
MULTIMODE	BLACK ANODIZED	WITH PROTECTIVE COVER	559094-2
MULTIMODE	BLACK ANODIZED	WITHOUT PROTECTIVE COVER	559094-1
COUPLING BUSHING	FINISH	DESCRIPTION	PART NO.

DESIGNED BY	R. R. SCHAEFER	DATE	3-7-88
CHECKED BY	J. C. HOFFER	DATE	3-7-88
APPROVED BY	J. EBERLE	DATE	3-7-88
DESCRIPTION	ASSEMBLY, ENCLOSURE DISTRIBUTION		
TOLERANCES UNLESS OTHERWISE SPECIFIED:	MATERIAL ALUMINUM FINISH		
∅	PLC	±.001	
∅	PLC	±.002	
∅	PLC	±0.05 (1-010)	
∅	PLC	±.010	
ANGLE	±.5		
WEIGHT	SCALE 1:1 SHEET 1 OF 2		
CUSTOMER DRAWING	DRAWING NO. A000779 CASE CODE 559094		

1. LABELS: ALL DESIGNATION AND WARNING LABELS ARE PLACED IN A BAG INSIDE THE ENCLOSURE  
 TWO (2) 12-LINE FIBER PATCH PORT LABELS  
 TWO (2) WARNING LABELS



DIMENSIONS		TOLERANCES UNLESS OTHERWISE SPECIFIED.		DATE	BY	APP'D	NAME
mm				2-7-98	R. R. SCHAEFER		
D		PL/C	±.01	2-7-98	C. MOFFER		
Ø		PL/C	±.02				
H		PL/C	±.025 (±.010)				
MATERIAL		FINISH	WEIGHT				
-		-	-				

ASSEMBLY, ENCLOSURE DIST	SCALE	SHEET
PANEL 12/PT 51'S, WAL	1:1	1
DRAWING NO	CASE CODE	CUSTOMER DRAWING
A0 00779	559094	