

# Lugs and Connectors

3M™ Scotchlok™ Lugs and Connectors are crimp connectors for power cable conductors. These connectors are used when splicing and terminating power cable.

## **3M™ Scotchlok™ Connectors 10000 and 11000 Series and Lugs 30000 and 31000 Series**

The 3M™ Scotchlok™ Connectors 10000 and 11000 Series, and the Lugs 30000 and 31000 Series are used on copper conductors only. They are available in standard or long barrel designs and are constructed of one-piece, seamless high-conductivity copper. (UL 486A Listed)

## **3M™ Scotchlok™ Connectors 20000 Series and Lugs 40000 Series**

The 3M™ Scotchlok™ Connectors 20000 Series and Lugs 40000 Series are for use with either copper or aluminum conductors. The aluminum connectors and lugs feature color coded end caps for identification. Contact aid provided in connector and lug barrels is compatible with poly/EPR insulations. (UL 486B Listed).

## **3M™ Connectors CI Series**

3M™ Connectors CI Series are for splicing applications on aluminum or copper cable conductors. The CI Series aluminum connectors are specially designed for use with 3M™ QS, QS-II and QS-III pre-molded power cable splice bodies. These connectors meet the requirements of ANSI C119.4.

## **3M™ Aerial Stem Connectors SC Series**

3M™ Aerial Stem Connectors SC Series feature an aluminum barrel for installations on either copper or aluminum cable conductors and are used when connecting a riser cable to an overhead line. The SC series connectors are also used when terminating an insulated power cable with 3M terminations. The SC series connectors are provided with a factory crimped and sealed copper stem for aerial line connection. The aluminum barrel and copper stem are tin plated to resist electrolytic corrosion.



### **3M™ Lugs OS Series**

3M™ Lugs OS Series are copper lugs that feature a solid oil stop. These lugs are for copper conductors only and are used with 3M™ Terminations 5800-Pb Series on paper-insulated lead covered (PILC) cables.

### **3M™ Connectors CIR Series**

3M™ Connectors CIR Series are specially designed for use with 3M™ QS-II Repair Splice Kits. They are aluminum connectors for use on aluminum or copper cable conductors. When used with the appropriate splice kit, these connectors allow up to 6 inches (152 mm) of damaged cable conductor to be removed, eliminating the need to splice in a new section of cable. CIR series connectors meet the requirements of ANSI C119.4.

### **3M™ Scotchlok™ Connectors 2000T Series**

The 3M Scotchlok Connectors 2000T Series offers two solutions for your copper and/or aluminum connecting needs for PILC power cable. The 3M Scotchlok Connectors 2000T-CU Series are copper inline sleeves that are for use with copper conductor cables of the same size when connecting copper cable to copper cable only. The 3M Scotchlok 2000T Reducer Series is for connecting cables of different sizes and types. They are aluminum inline sleeves that are applicable for both aluminum and copper conductors, and because the barrel diameters at the connector ends are different, it allows connecting conductors of different sizes. All connectors in the 2000T series feature a solid center oil stop.

| Section   | Page          |
|---|---------------|
| <b>Lugs</b> .....   | <b>88-96</b>  |
| One Hole Lugs .....   | 88-91         |
| 3M™ Scotchlok™ Copper Lugs 30000 Series, One Hole, Standard Barrel, up to 35 kV ..... | 88            |
| 3M™ Scotchlok™ Copper Lugs 31000 Series, One Hole, Long-Barrel, up to 35 kV .....     | 89            |
| 3M™ Scotchlok™ Aluminum Lugs 40000 Series, One Hole (AL9CU), up to 35 kV .....        | 90-91         |
| Two Hole Lugs .....   | 92-93         |
| 3M™ Scotchlok™ Copper Lugs 31100 Series, Two Hole, Long-Barrel, up to 35 kV .....     | 92            |
| 3M™ Scotchlok™ Aluminum Lugs 40100 Series-Two Hole (AL9CU) up to 35 kV .....          | 93            |
| Oil Seal Lugs .....   | 94            |
| 3M™ Oil Seal Lugs, up to 35 kV .....  | 94            |
| Stem Connectors .....   | 95            |
| 3M™ Stem Connectors SC Series, up to 35 kV .....                                      | 95            |
| Parallel Clamp .....  | 95            |
| 3M™ Parallel Clamp CP-1, up to 35 kV .....  | 95            |
| Aluminum Lugs for T-Bodies/Modular Splices .....                                      | 96            |
| 3M™ Aluminum One Hole Lugs for T-Bodies .....   | 96            |
| <b>Connectors</b> .....   | <b>97-106</b> |
| Compression Splice Connectors .....   | 97-102        |
| 3M™ Scotchlok™ Copper Connectors 10000 Series, Standard Barrel, up to 35 kV .....     | 97            |
| 3M™ Scotchlok™ Copper Connectors 11000 Series, Long Barrel, up to 35 kV .....         | 98            |
| 3M™ Scotchlok™ Aluminum Connectors 20000 Series (AL9CU) up to 35 kV .....             | 99            |
| 3M™ Aluminum Connectors CI Series, up to 35 kV .....                                  | 100           |
| 3M™ Aluminum Connectors CI-A Series, up to 35 kV .....                                | 101           |
| 3M™ Scotchlok™ Connectors 2000T-CU, up to 35 kV .....                                 | 102           |
| Transition Splice Connectors .....  | 103-104       |
| 3M™ Scotchlok™ Reducer Series Connectors 2000T-CU/AL, up to 35 kV .....               | 103           |
| 3M™ Aluminum Transition Connectors CI-T Series, up to 35 kV .....                     | 104           |
| Repair Splice Connectors .....  | 105           |
| 3M™ Aluminum Repair Connectors CIR Series .....                                       | 105           |
| Shearbolt Splice Connectors .....   | 106           |
| 3M™ Shearbolt Connector QCI Series .....  | 106           |

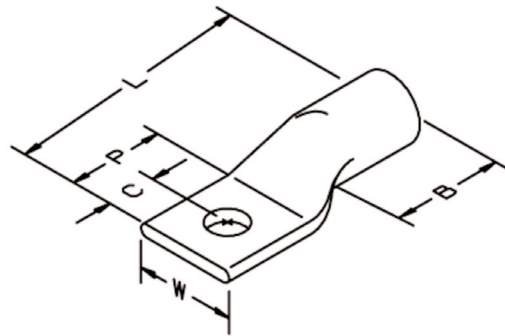
## Lugs: One Hole Lugs

# 3M™ Scotchlok™ Copper Lugs 30000 Series, One Hole, Standard Barrel, up to 35 KV

The 3M™ Scotchlok™ Copper Lugs 30000 Series are a family of one hole, standard barrel lugs from 6–4/0 AWG designed for terminating copper conductors. Each lug is tin plated to resist corrosion and can be installed with standard industry tools. Chamfered ends ensure ease of conductor insertion.

O.D. = Outside Diameter; (B) = Barrel Length (B); (C) = Center of Hole to End of Pad (C); (L) = Length (L); (P) = Pad Length (P); (W) = Pad Width (W)

|                 |   |
|-----------------|---|
| Barrel Style    | Standard Barrel   |
| No. of Holes    | One Hole  |
| Lug Base Metal  | Copper  |
| For use with    | Copper Conductor Only   |
| Dimension (C)   | 0.37" (9,5 mm), *0.53" (13,4 mm)  |
| RoHS 2011/65/EU | Yes   |
| Agency Approval |  |



| Order No. | UPC (054007) | Wire & Stud Size | Color  | O.D.            | (B)             | (L)             | (P)             | (W)             | Min/Cs Qty |
|-----------|--------------|------------------|--------|-----------------|-----------------|-----------------|-----------------|-----------------|------------|
| 30014     | -12410       | 6 AWG #10        | Blue   | 0.29" (7,4 mm)  | 0.86" (21,8 mm) | 1.78" (45,2 mm) | 0.75" (19,1 mm) | 0.43" (11,0 mm) | 50         |
| 30015     | -12428       | 6 AWG 1/4"       | Blue   | 0.29" (7,4 mm)  | 0.86" (21,8 mm) | 1.78" (45,2 mm) | 0.75" (19,1 mm) | 0.43" (11,0 mm) | 50         |
| 30016     | -12436       | 6 AWG 5/16"      | Blue   | 0.29" (7,4 mm)  | 0.86" (21,8 mm) | 1.78" (45,2 mm) | 0.75" (19,1 mm) | 0.50" (12,7 mm) | 50         |
| 30018     | -12444       | 4 AWG #10        | Gray   | 0.34" (8,6 mm)  | 0.75" (19,1 mm) | 1.94" (49,3 mm) | 0.89" (22,6 mm) | 0.48" (12,3 mm) | 50         |
| 30019     | -12451       | 4 AWG 1/4"       | Gray   | 0.34" (8,6 mm)  | 0.75" (19,1 mm) | 1.94" (49,3 mm) | 0.89" (22,6 mm) | 0.48" (12,3 mm) | 50         |
| 30021     | -12469       | 4 AWG 3/8"       | Gray   | 0.34" (8,6 mm)  | 0.75" (19,1 mm) | 1.94" (49,3 mm) | 0.89" (22,6 mm) | 0.59" (15,1 mm) | 50         |
| 30022     | -12477       | 2 AWG 1/4"       | Brown  | 0.42" (10,6 mm) | 0.81" (20,7 mm) | 1.97" (50,0 mm) | 0.89" (22,6 mm) | 0.63" (15,9 mm) | 25         |
| 30023     | -12485       | 2 AWG 5/16"      | Brown  | 0.42" (10,6 mm) | 0.81" (20,7 mm) | 1.97" (50,0 mm) | 0.89" (22,6 mm) | 0.63" (15,9 mm) | 25         |
| 30024     | -12493       | 2 AWG 3/8"       | Brown  | 0.42" (10,6 mm) | 0.81" (20,7 mm) | 1.97" (50,0 mm) | 0.89" (22,6 mm) | 0.63" (15,9 mm) | 25         |
| 30027     | -12501       | 1 AWG 5/16"      | Green  | 0.46" (11,7 mm) | 0.81" (20,7 mm) | 1.97" (50,0 mm) | 0.75" (19,1 mm) | 0.69" (17,5 mm) | 10         |
| 30028     | -12519       | 1 AWG 3/8"       | Green  | 0.46" (11,7 mm) | 0.81" (20,7 mm) | 1.97" (50,0 mm) | 0.75" (19,1 mm) | 0.69" (17,5 mm) | 10         |
| 30031     | -12527       | 1/0 AWG 5/16"    | Pink   | 0.51" (13,0 mm) | 0.81" (20,7 mm) | 2.16" (54,9 mm) | 0.89" (22,6 mm) | 0.75" (19,1 mm) | 10         |
| 30032     | -12535       | 1/0 AWG 3/8"     | Pink   | 0.51" (13,0 mm) | 0.81" (20,7 mm) | 2.16" (54,9 mm) | 0.89" (22,6 mm) | 0.75" (19,1 mm) | 10         |
| 30036     | -12543       | 2/0 AWG 3/8"     | Black  | 0.56" (14,2 mm) | 0.87" (22,2 mm) | 2.37" (60,2 mm) | 1.11" (28,2 mm) | 0.81" (20,7 mm) | 10         |
| 30041*    | -12568       | 3/0 AWG 1/2"     | Orange | 0.62" (15,8 mm) | 0.94" (23,8 mm) | 2.63" (66,8 mm) | 1.11" (28,2 mm) | 0.91" (23,1 mm) | 10         |
| 30045*    | -12584       | 4/0 AWG 1/2"     | Purple | 0.68" (17,4 mm) | 0.97" (24,6 mm) | 2.60" (65,9 mm) | 1.11" (28,2 mm) | 1.00" (25,4 mm) | 10         |

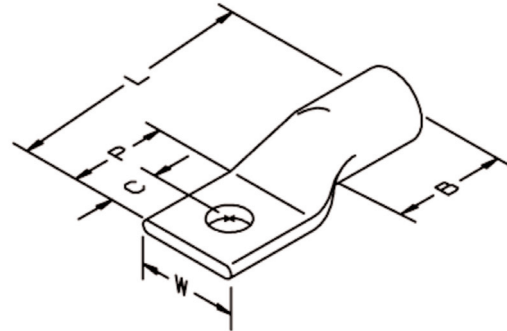
Lugs: One Hole Lugs

## 3M™ Scotchlok™ Copper Lugs 31000 Series, One Hole, Long-Barrel, up to 35 kV

The 3M™ Scotchlok™ Copper Lugs 31000 Series are a family of one hole, long barrel lugs from 2/0 AWG–600 kcmil designed for terminating copper conductors. Each lug is tin plated to resist corrosion and can be installed with standard industry tools. Chamfered ends ensure ease of conductor insertion.

O.D. = Outside Diameter; (B) = Barrel Length (B); (C) = Center of Hole to End of Pad (C); (L) = Length (L); (P) = Pad Length (P); (W) = Pad Width (W)

Barrel Style Long Barrel  
 No. of Holes One Hole  
 Lug Base Metal Copper  
 For use with Copper Conductor Only  
 RoHS 2011/65/EU Yes  
 Agency Approval 



| Order No. | UPC (054007) | Wire & Stud Size  | Color  | O.D.               | (B)                | (C)                | (L)                 | (P)                | (W)                | Min/Cs Qty |
|-----------|--------------|-------------------|--------|--------------------|--------------------|--------------------|---------------------|--------------------|--------------------|------------|
| 31036     | -12550       | 2/0 AWG<br>3/8"   | Black  | 0.56"<br>(14,2 mm) | 1.44"<br>(36,6 mm) | 0.37"<br>(9,5 mm)  | 2.84"<br>(72,2 mm)  | 0.89"<br>(22,6 mm) | 0.81"<br>(20,6 mm) | 10         |
| 31041     | -12576       | 3/0 AWG<br>1/2"   | Orange | 0.62"<br>(15,8 mm) | 1.44"<br>(36,5 mm) | 0.53"<br>(13,4 mm) | 3.13"<br>(79,5 mm)  | 1.11"<br>(28,2 mm) | 0.91"<br>(23,0 mm) | 10         |
| 31045     | -12592       | 4/0 AWG<br>1/2"   | Purple | 0.68"<br>(17,4 mm) | 1.56"<br>(39,7 mm) | 0.53"<br>(13,4 mm) | 3.32"<br>(84,4 mm)  | 1.11"<br>(28,2 mm) | 1.00"<br>(25,4 mm) | 10         |
| 31049     | -12618       | 250 kcmil<br>1/2" | Yellow | 0.75"<br>(19,1 mm) | 1.50"<br>(38,1 mm) | 0.53"<br>(13,4 mm) | 3.38"<br>(85,8 mm)  | 1.11"<br>(28,2 mm) | 1.11"<br>(28,2 mm) | 10         |
| 31053     | -12634       | 300 kcmil<br>1/2" | White  | 0.81"<br>(20,6 mm) | 1.94"<br>(49,2 mm) | 0.53"<br>(13,4 mm) | 3.78"<br>(96,0 mm)  | 1.11"<br>(28,2 mm) | 1.22"<br>(30,9 mm) | 10         |
| 31056     | -12659       | 350 kcmil<br>1/2" | Red    | 0.88"<br>(22,4 mm) | 1.94"<br>(49,2 mm) | 0.53"<br>(13,4 mm) | 3.84"<br>(97,5 mm)  | 1.11"<br>(28,2 mm) | 1.27"<br>(32,2 mm) | 10         |
| 31060     | -11978       | 400 kcmil<br>1/2" | Blue   | 0.95"<br>(24,1 mm) | 2.00"<br>(50,8 mm) | 0.66"<br>(16,7 mm) | 4.16"<br>(105,7 mm) | 1.34"<br>(34,2 mm) | 1.41"<br>(35,8 mm) | 10         |
| 31066     | -12675       | 500 kcmil<br>1/2" | Brown  | 1.06"<br>(27,0 mm) | 2.19"<br>(55,6 mm) | 0.66"<br>(16,7 mm) | 4.50"<br>(114,3 mm) | 1.34"<br>(34,2 mm) | 1.53"<br>(38,9 mm) | 10         |
| 31067     | -12683       | 500 kcmil<br>5/8" | Brown  | 1.06"<br>(27,0 mm) | 2.19"<br>(55,6 mm) | 0.66"<br>(16,7 mm) | 4.50"<br>(114,3 mm) | 1.34"<br>(34,2 mm) | 1.53"<br>(38,9 mm) | 10         |
| 31068     | -11980       | 600 kcmil<br>1/2" | Green  | 1.18"<br>(30,0 mm) | 2.60"<br>(66,0 mm) | 0.88"<br>(22,4 mm) | 5.12"<br>(130,0 mm) | 1.75"<br>(44,4 mm) | 1.69"<br>(42,9 mm) | 6          |

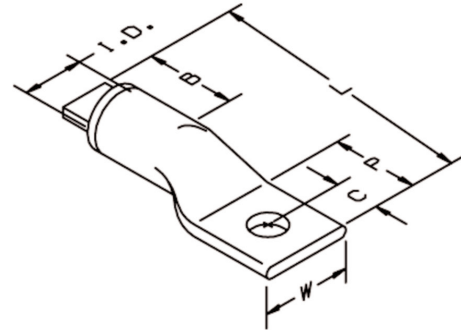
## Lugs: One Hole Lugs

### 3M™ Scotchlok™ Aluminum Lugs 40000 Series, One Hole (AL9CU), up to 35 kV

The 3M™ Scotchlok™ Aluminum Compression Lugs 40000 Series are one hole lugs made of high conductivity aluminum and are designed to cover a wide range of conductor sizes from 6 AWG–1000 kcmil. They are designed to be crimped onto either aluminum or copper conductors. Each lug is electro-tin plated to resist electrolytic corrosion. They are installed using standard industry tools. Chamfered ends ensure simplicity and ease of conductor insertion.

O.D. = Outside Diameter; (B) = Barrel Length (B); (C) = Center of Hole to End of Pad (C); (L) = Length (L); (P) = Pad Length (P); (W) = Pad Width (W)

|                 |                              |
|-----------------|------------------------------|
| Barrel Style    | Standard Barrel              |
| No. of Holes    | One Hole                     |
| Lug Base Metal  | Aluminum                     |
| For use with    | Aluminum or Copper Conductor |
| RoHS 2011/65/EU | Yes                          |



| Order No. | UPC (054007) | Wire & Stud Size | Color | O.D.               | (B)                | (C)                | (L)                | (P)                | (W)                | Min/Cs Qty |
|-----------|--------------|------------------|-------|--------------------|--------------------|--------------------|--------------------|--------------------|--------------------|------------|
| 40016     | -13400       | 6 AWG<br>5/16"   | Gray  | 0.34"<br>(8,8 mm)  | 0.75"<br>(19,1 mm) | 0.44"<br>(11,2 mm) | 2.28"<br>(57,9 mm) | 0.88"<br>(22,3 mm) | 0.56"<br>(14,2 mm) | 50         |
| 40020     | -13418       | 4 AWG<br>5/16"   | Green | 0.47"<br>(11,9 mm) | 0.94"<br>(23,8 mm) | 0.44"<br>(11,2 mm) | 2.30"<br>(58,4 mm) | 0.96"<br>(24,4 mm) | 0.62"<br>(15,7 mm) | 50         |
| 40024     | -13426       | 2 AWG<br>3/8"    | Pink  | 0.53"<br>(13,5 mm) | 0.92"<br>(23,4 mm) | 0.44"<br>(11,2 mm) | 2.62"<br>(66,5 mm) | 1.03"<br>(26,2 mm) | 0.75"<br>(19,1 mm) | 25         |
| 40025     | -13434       | 2 AWG<br>1/2"    | Pink  | 0.53"<br>(13,5 mm) | 0.92"<br>(23,4 mm) | 0.44"<br>(11,2 mm) | 2.62"<br>(66,5 mm) | 1.12"<br>(28,4 mm) | 0.75"<br>(19,1 mm) | 25         |
| 40028     | -13442       | 1 AWG<br>3/8"    | Gold  | 0.53"<br>(13,5 mm) | 0.92"<br>(23,4 mm) | 0.44"<br>(11,2 mm) | 2.62"<br>(66,5 mm) | 1.03"<br>(26,2 mm) | 0.75"<br>(19,1 mm) | 10         |
| 40029     | -13459       | 1 AWG<br>1/2"    | Gold  | 0.53"<br>(13,5 mm) | 0.92"<br>(23,4 mm) | 0.44"<br>(11,2 mm) | 2.62"<br>(66,5 mm) | 1.12"<br>(28,4 mm) | 0.75"<br>(19,1 mm) | 10         |
| 40032     | -13467       | 1/0 AWG<br>3/8"  | Tan   | 0.64"<br>(16,1 mm) | 1.18"<br>(30,0 mm) | 0.62"<br>(15,7 mm) | 3.12"<br>(79,2 mm) | 1.31"<br>(33,3 mm) | 0.88"<br>(22,4 mm) | 10         |
| 40033     | -13475       | 1/0 AWG<br>1/2"  | Tan   | 0.64"<br>(16,1 mm) | 1.18"<br>(30,0 mm) | 0.62"<br>(15,7 mm) | 3.12"<br>(79,2 mm) | 1.31"<br>(33,3 mm) | 0.88"<br>(22,4 mm) | 10         |
| 40037     | -13483       | 2/0 AWG<br>1/2"  | Olive | 0.69"<br>(17,5 mm) | 1.30"<br>(33,0 mm) | 0.62"<br>(15,7 mm) | 3.19"<br>(81,0 mm) | 1.25"<br>(31,8 mm) | 0.95"<br>(24,2 mm) | 10         |
| 40041     | -13491       | 3/0 AWG<br>1/2"  | Ruby  | 0.76"<br>(19,3 mm) | 1.50"<br>(38,1 mm) | 0.62"<br>(15,7 mm) | 3.44"<br>(87,4 mm) | 1.28"<br>(32,5 mm) | 1.06"<br>(26,9 mm) | 10         |
| 40045     | -13509       | 4/0 AWG<br>1/2"  | White | 0.88"<br>(22,2 mm) | 1.44"<br>(36,6 mm) | 0.62"<br>(15,7 mm) | 3.56"<br>(90,4 mm) | 1.34"<br>(34,1 mm) | 1.19"<br>(30,2 mm) | 10         |
| 40046     | -13517       | 4/0 AWG<br>5/8"  | White | 0.88"<br>(22,2 mm) | 1.44"<br>(36,6 mm) | 0.62"<br>(15,7 mm) | 3.56"<br>(90,4 mm) | 1.34"<br>(34,1 mm) | 1.19"<br>(30,2 mm) | 10         |

Lugs: One Hole Lugs

**3M™ Scotchlok™ Aluminum Lugs 40000 Series, One Hole (AL9CU), up to 35 kV  
(continued)**

| Order No. | UPC<br>(054007) | Wire & Stud<br>Size | Color     | O.D.               | (B)                 | (C)                | (L)                 | (P)                | (W)                | Min/Cs<br>Qty |
|-----------|-----------------|---------------------|-----------|--------------------|---------------------|--------------------|---------------------|--------------------|--------------------|---------------|
| 40049     | -13525          | 250 kcmil<br>1/2"   | Red       | 0.91"<br>(23,0 mm) | 1.56"<br>(39,6 mm)  | 0.62"<br>(15,7 mm) | 3.62"<br>(91,9 mm)  | 1.31"<br>(33,2 mm) | 1.24"<br>(31,4 mm) | 10            |
| 40050     | -13533          | 250 kcmil<br>5/8"   | Red       | 0.91"<br>(23,0 mm) | 1.59"<br>(40,4 mm)  | 0.62"<br>(15,7 mm) | 3.62"<br>(91,9 mm)  | 1.31"<br>(33,2 mm) | 1.24"<br>(31,4 mm) | 10            |
| 40053     | -13541          | 300 kcmil<br>1/2"   | Dark Blue | 1.01"<br>(25,7 mm) | 2.20"<br>(55,6 mm)  | 0.62"<br>(15,7 mm) | 4.00"<br>(101,6 mm) | 1.31"<br>(33,2 mm) | 1.36"<br>(34,5 mm) | 10            |
| 40056     | -13558          | 350 kcmil<br>1/2"   | Brown     | 1.11"<br>(28,1 mm) | 2.20"<br>(55,6 mm)  | 0.62"<br>(15,7 mm) | 4.25"<br>(108,0 mm) | 1.31"<br>(33,3 mm) | 1.49"<br>(37,8 mm) | 10            |
| 40057     | -13566          | 350 kcmil<br>5/8"   | Brown     | 1.11"<br>(28,1 mm) | 2.19"<br>(55,6 mm)  | 0.62"<br>(15,7 mm) | 4.32"<br>(109,7 mm) | 1.31"<br>(33,3 mm) | 1.49"<br>(37,8 mm) | 10            |
| 40067     | -13574          | 500 kcmil<br>5/8"   | Pink      | 1.32"<br>(33,5 mm) | 2.94"<br>(74,6 mm)  | 0.62"<br>(15,7 mm) | 5.44"<br>(138,2 mm) | 1.50"<br>(38,1 mm) | 1.73"<br>(43,9 mm) | 10            |
| 40073     | -13582          | 750 kcmil<br>5/8"   | Yellow    | 1.50"<br>(38,1 mm) | 3.32"<br>(84,3 mm)  | 0.88"<br>(22,4 mm) | 6.38"<br>(162,1 mm) | 1.87"<br>(47,5 mm) | 1.72"<br>(43,6 mm) | 6             |
| 40079     | -13590          | 1000 kcmil<br>5/8"  | Brown     | 1.84"<br>(46,8 mm) | 4.62"<br>(117,3 mm) | 0.88"<br>(22,4 mm) | 7.94"<br>(201,6 mm) | 1.87"<br>(47,5 mm) | 2.42"<br>(61,4 mm) | 6             |

## Lugs: Two Hole Lugs

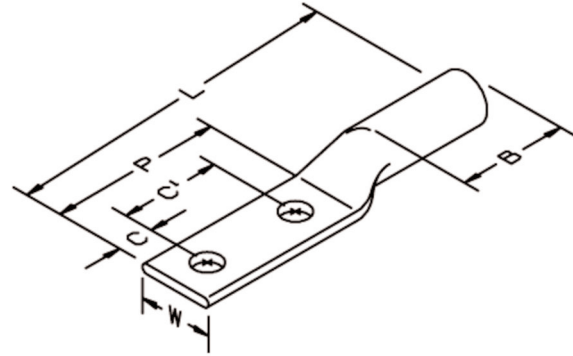
### 3M™ Scotchlok™ Copper Lugs 31100 Series, Two Hole, Long-Barrel, up to 35 kV

The 3M™ Scotchlok™ Copper Lugs 31100 Series are a family of two hole lugs from 4 AWG–1000 kcmil designed for terminating copper conductors. Each lug is tin plated to resist corrosion and can be installed with standard industry tools. Chamfered ends ensure ease of conductor insertion.

O.D. = Outside Diameter; (B) = Barrel Length; (C) = Center of Hole to End of Pad; (C') = Center of Hole to Center of Hole; (L) = Length; (P) = Pad Length; (W) = Pad Width

|                 |                       |
|-----------------|-----------------------|
| Barrel Style    | Long Barrel           |
| No. of Holes    | Two Hole              |
| Lug Base Metal  | Copper                |
| For use with    | Copper Conductor Only |
| Dimension (C)   | 0.63" (16,0 mm)       |
| Dimension (C')  | 1.75" (44,5 mm)       |
| RoHS 2011/65/EU | Yes                   |

\*Agency Approval



| Order No. | UPC          | Wire & Stud Size   | Color  | O.D.               | (B)                | (L)                 | (P)                | (W)                | Min/Case Qty |
|-----------|--------------|--------------------|--------|--------------------|--------------------|---------------------|--------------------|--------------------|--------------|
| 31122     | 051138-52496 | 4 AWG<br>1/2"      | Gray   | 0.34"<br>(8,6 mm)  | 0.93"<br>(23,5 mm) | 4.19"<br>(106,4 mm) | 3.00"<br>(76,2 mm) | 0.66"<br>(16,7 mm) | 25           |
| 31125     | 051138-52497 | 2 AWG<br>1/2"      | Brown  | 0.42"<br>(10,6 mm) | 1.25"<br>(31,8 mm) | 4.85"<br>(123,2 mm) | 3.00"<br>(76,2 mm) | 0.63"<br>(16,0 mm) | 25           |
| 31129     | 051138-52498 | 1 AWG<br>1/2"      | Green  | 0.42"<br>(10,6 mm) | 1.25"<br>(31,8 mm) | 4.85"<br>(123,2 mm) | 3.00"<br>(76,2 mm) | 0.69"<br>(17,5 mm) | 10           |
| 31130     | 051138-52499 | 1/0 AWG<br>1/2"    | Pink   | 0.51"<br>(13,0 mm) | 1.38"<br>(31,5 mm) | 4.98"<br>(126,5 mm) | 3.00"<br>(76,2 mm) | 0.75"<br>(19,0 mm) | 10           |
| 31137     | 051138-69245 | 2/0 AWG<br>1/2"    | Black  | 0.56"<br>(14,2 mm) | 1.50"<br>(38,1 mm) | 5.03"<br>(127,8 mm) | 3.00"<br>(76,2 mm) | 0.81"<br>(20,7 mm) | 10           |
| 31141     | 051138-69246 | 3/0 AWG<br>1/2"    | Orange | 0.62"<br>(15,8 mm) | 1.44"<br>(36,5 mm) | 5.13"<br>(130,3 mm) | 3.00"<br>(76,2 mm) | 0.91"<br>(23,0 mm) | 10           |
| 31145*    | 054007-12600 | 4/0 AWG<br>1/2"    | Purple | 0.68"<br>(17,4 mm) | 1.56"<br>(39,7 mm) | 5.16"<br>(131,1 mm) | 3.00"<br>(76,2 mm) | 1.00"<br>(25,4 mm) | 10           |
| 31149*    | 054007-12626 | 250 kcmil<br>1/2"  | Yellow | 0.75"<br>(19,1 mm) | 1.56"<br>(39,7 mm) | 5.31"<br>(134,9 mm) | 3.00"<br>(76,2 mm) | 1.13"<br>(28,6 mm) | 10           |
| 31153*    | 054007-12642 | 300 kcmil<br>1/2"  | White  | 0.81"<br>(20,6 mm) | 1.94"<br>(49,2 mm) | 5.75"<br>(146,1 mm) | 3.00"<br>(76,2 mm) | 1.22"<br>(31,0 mm) | 10           |
| 31156*    | 054007-12667 | 350 kcmil<br>1/2"  | Red    | 0.87"<br>(22,1 mm) | 1.94"<br>(49,2 mm) | 5.75"<br>(146,1 mm) | 3.00"<br>(76,2 mm) | 1.31"<br>(33,4 mm) | 10           |
| 31160*    | 054007-11979 | 400 kcmil<br>1/2"  | Blue   | 0.95"<br>(24,1 mm) | 2.12"<br>(53,8 mm) | 6.00"<br>(152,4 mm) | 3.00"<br>(76,2 mm) | 1.41"<br>(35,8 mm) | 10           |
| 31166*    | 054007-12691 | 500 kcmil<br>1/2"  | Brown  | 1.06"<br>(26,9 mm) | 2.19"<br>(55,6 mm) | 6.16"<br>(156,4 mm) | 3.00"<br>(76,2 mm) | 1.53"<br>(38,9 mm) | 10           |
| 31168*    | 054007-11981 | 600 kcmil<br>1/2"  | Green  | 1.18"<br>(30,1 mm) | 2.62"<br>(66,5 mm) | 6.72"<br>(170,6 mm) | 3.00"<br>(76,2 mm) | 1.69"<br>(42,9 mm) | 6            |
| 31172*    | 054007-12709 | 750 kcmil<br>1/2"  | Black  | 1.29"<br>(33,0 mm) | 2.81"<br>(71,5 mm) | 7.00"<br>(177,8 mm) | 3.00"<br>(76,2 mm) | 1.72"<br>(43,7 mm) | 6            |
| 31178*    | 054007-00907 | 1000 kcmil<br>1/2" | White  | 1.50"<br>(38,1 mm) | 2.94"<br>(74,6 mm) | 7.28"<br>(184,9 mm) | 3.00"<br>(76,2 mm) | 1.72"<br>(43,7 mm) | 6            |




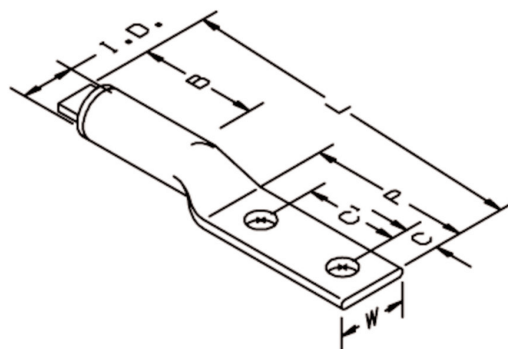
## Lugs: Two Hole Lugs

**3M™ Scotchlok™ Aluminum Lugs 40100 Series-Two Hole (AL9CU) up to 35 kV**

The 3M™ Scotchlok™ Aluminum Compression Lugs 40100 Series are a family of two hole lugs made of high conductivity aluminum and are designed to cover a wide range of conductor sizes from 1/0 AWG–1000 kcmil. They are designed to be crimped onto either aluminum or copper conductors. Each lug is electro-tin plated to resist electrolytic corrosion. They are installed using standard industry tools. Chamfered ends ensure simplicity and ease of conductor insertion.

O.D. = Outside Diameter; (B) = Barrel Length; (C) = Center of Hole to End of Pad; (C') = Center of Hole to Center of Hole; (L) = Length; (P) = Pad Length; (W) = Pad Width

|                 |   |
|-----------------|---|
| Barrel Style    | Standard Barrel   |
| No. of Holes    | Two Hole  |
| Lug Base Metal  | Aluminum  |
| For use with    | Aluminum or Copper Conductor  |
| Dimension (C)   | 0.62" (15,7 mm)   |
| Dimension (C')  | 1.75" (44,5 mm)   |
| RoHS 2011/65/EU | Yes   |
| Agency Approval |  |



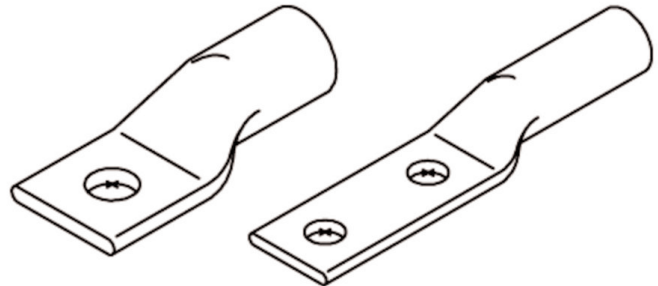
| Order No. | UPC (054007) | Wire & Stud Size | Color     | O.D.                | (B)                 | (L)                 | (P)                | (W)                | Min/Cs Qty |
|-----------|--------------|------------------|-----------|---------------------|---------------------|---------------------|--------------------|--------------------|------------|
| 40132     | -13608       | 1/0 AWG, 3/8"    | Tan       | 0.640"<br>(16,3 mm) | 1.50"<br>(38,1 mm)  | 5.28"<br>(134,1 mm) | 3.25"<br>(82,6 mm) | 0.88"<br>(22,4 mm) | 10         |
| 40137     | -13616       | 2/0 AWG, 1/2"    | Olive     | 0.687"<br>(17,5 mm) | 1.50"<br>(38,1 mm)  | 5.50"<br>(139,7 mm) | 3.25"<br>(82,6 mm) | 0.94"<br>(23,8 mm) | 10         |
| 40141     | -13624       | 3/0 AWG, 1/2"    | Ruby      | 0.760"<br>(19,3 mm) | 1.50"<br>(38,1 mm)  | 5.50"<br>(139,7 mm) | 3.25"<br>(82,6 mm) | 1.06"<br>(26,9 mm) | 10         |
| 40145     | -13632       | 4/0 AWG, 1/2"    | White     | 0.875"<br>(22,2 mm) | 1.94"<br>(49,2 mm)  | 6.00"<br>(152,4 mm) | 3.38"<br>(85,8 mm) | 1.19"<br>(30,2 mm) | 10         |
| 40149     | -13640       | 250 kcmil, 1/2"  | Red       | 0.906"<br>(23,0 mm) | 1.94"<br>(49,2 mm)  | 6.00"<br>(152,4 mm) | 3.38"<br>(85,8 mm) | 1.25"<br>(31,8 mm) | 10         |
| 40153     | -13657       | 300 kcmil, 1/2"  | Dark Blue | 1.010"<br>(25,7 mm) | 2.25"<br>(57,2 mm)  | 6.56"<br>(166,6 mm) | 3.56"<br>(90,4 mm) | 1.38"<br>(35,1 mm) | 10         |
| 40156     | -13665       | 350 kcmil, 1/2"  | Brown     | 1.105"<br>(28,1 mm) | 2.25"<br>(57,2 mm)  | 6.56"<br>(166,6 mm) | 3.56"<br>(90,4 mm) | 1.50"<br>(38,1 mm) | 10         |
| 40160     | -13673       | 400 kcmil, 1/2"  | Green     | 1.187"<br>(30,2 mm) | 2.50"<br>(63,5 mm)  | 6.88"<br>(174,8 mm) | 3.56"<br>(90,4 mm) | 1.62"<br>(41,1 mm) | 10         |
| 40166     | -13681       | 500 kcmil, 1/2"  | Pink      | 1.320"<br>(33,5 mm) | 3.00"<br>(76,2 mm)  | 7.31"<br>(185,7 mm) | 3.56"<br>(90,4 mm) | 1.75"<br>(44,5 mm) | 10         |
| 40170     | -13699       | 600 kcmil, 1/2"  | Black     | 1.43"<br>(36,3 mm)  | 3.00"<br>(76,2 mm)  | 7.75"<br>(196,9 mm) | 3.62"<br>(92,0 mm) | 1.75"<br>(44,5 mm) | 6          |
| 40172     | -13707       | 750 kcmil, 1/2"  | Yellow    | 1.50"<br>(38,1 mm)  | 3.38"<br>(85,9 mm)  | 8.25"<br>(209,6 mm) | 3.62"<br>(92,0 mm) | 1.75"<br>(44,5 mm) | 6          |
| 40178     | -13715       | 1000 kcmil, 1/2" | Brown     | 1.84"<br>(46,7 mm)  | 4.62"<br>(117,4 mm) | 9.68"<br>(245,8 mm) | 3.62"<br>(92,0 mm) | 2.44"<br>(62,0 mm) | 6          |

## Lugs: Oil Seal Lugs

### 3M™ Oil Seal Lugs, up to 35 kV

3M™ Oil Seal Lugs OS Series are copper one hole and two hole lugs that feature a solid oil stop. These lugs are for copper conductors only and are used with 3M™ PILC Termination Kits 5800-Pb Series on paper insulated lead covered (PILC) cables. Each lug is electro-tin plated to resist electrolytic corrosion.

|                |                       |
|----------------|-----------------------|
| Barrel Style   | Standard Barrel       |
| Lug Base Metal | Copper                |
| For use with   | Copper Conductor Only |
| Type of Seal   | Oil Seal              |



| Order No. | UPC          | No. of Holes | Conductor Size - Stranded (Solid) | Stud Size | Inside Diameter     | O.D.                | Center of Hole to Center of Hole | Center of Hole to End of Pad | Min/Case Qty |
|-----------|--------------|--------------|-----------------------------------|-----------|---------------------|---------------------|----------------------------------|------------------------------|--------------|
| OS0001    | 054007-50438 | One hole     | 2 AWG (1 AWG)                     | 3/8"      | 0.307"<br>(7,8 mm)  | 0.415"<br>(10,5 mm) | N/A                              | 0.406"<br>(10,3 mm)          | 10           |
| OS0010    | 054007-50439 | One hole     | 1/0 AWG (2/0 AWG)                 | 3/8"      | 0.414"<br>(10,5 mm) | 0.513"<br>(13,1 mm) | N/A                              | 0.406"<br>(10,3 mm)          | 10           |
| OS0020    | 054007-50440 | One hole     | 2/0 AWG (3/0 AWG)                 | 3/8"      | 0.439"<br>(11,2 mm) | 0.563"<br>(14,3 mm) | N/A                              | 0.406"<br>(10,3 mm)          | 10           |
| OS0030    | 054007-50441 | One hole     | 3/0 AWG (4/0 AWG)                 | 1/2"      | 0.490"<br>(12,4 mm) | 0.615"<br>(15,6 mm) | N/A                              | 0.531"<br>(13,4 mm)          | 10           |
| OS0040    | 054007-50442 | One hole     | 4/0 AWG (250 kcmil)               | 1/2"      | 0.548"<br>(13,9 mm) | 0.688"<br>(17,4 mm) | N/A                              | 0.531"<br>(13,4 mm)          | 10           |
| OS0250    | 054007-50443 | Two holes    | 250 kcmil (N/A)                   | 1/2"      | 0.595"<br>(15,1 mm) | 0.750"<br>(19,1 mm) | 1.75"<br>(44,5 mm)               | 0.625"<br>(15,8 mm)          | 10           |
| OS0350    | 054007-50444 | Two holes    | 350 kcmil (N/A)                   | 1/2"      | 0.700"<br>(17,8 mm) | 0.875"<br>(22,2 mm) | 1.75"<br>(44,5 mm)               | 0.625"<br>(15,8 mm)          | 10           |
| OS0500    | 054007-50445 | Two holes    | 500 kcmil (N/A)                   | 1/2"      | 0.886"<br>(22,5 mm) | 1.060"<br>(26,9 mm) | 1.75"<br>(44,5 mm)               | 0.625"<br>(15,8 mm)          | 10           |
| OS0750    | 054007-50446 | Two holes    | 750 kcmil (N/A)                   | 1/2"      | 1.031"<br>(26,2 mm) | 1.300"<br>(33,0 mm) | 1.75"<br>(44,5 mm)               | 0.625"<br>(15,8 mm)          | 3            |
| OS1000    | 054007-50447 | Two holes    | 1000 kcmil (N/A)                  | 1/2"      | 1.173"<br>(29,8 mm) | 1.500"<br>(38,1 mm) | 1.75"<br>(44,5 mm)               | 0.625"<br>(15,8 mm)          | 3            |

## Lugs: Stem Connectors

**3M™ Stem Connectors SC Series, up to 35 kV**

3M™ Stem Connectors SC Series feature a tin-plated aluminum barrel for installations on either copper or aluminum cable conductors and are used when connecting a riser cable to an overhead line. The SC series connectors are also used when terminating an insulated power cable with 3M terminations. SC series connectors are provided with a factory crimped and sealed, tin-plated copper stem for aerial line connection. A suggested accessory to the stem connector is the CP-1 Parallel Clamp that enables the connection of the stem connector to the overhead jumper wire.

|                |                              |
|----------------|------------------------------|
| Barrel Style   | Standard Barrel              |
| No. of Holes   | N/A                          |
| Lug Base Metal | Aluminum                     |
| For use with   | Aluminum or Copper Conductor |



| Order No. | UPC          | Conductor Size (Stranded) | Conductor Size (Solid) | Stem Length      | Stem Diameter  | Min/Case Qty |
|-----------|--------------|---------------------------|------------------------|------------------|----------------|--------------|
| SC0001    | 054007-14655 | 2 AWG, 1 AWG              | 1 AWG, 1/0 AWG         | 6.00" (152,4 mm) | 0.25" (6,4 mm) | 10           |
| SC0002    | 054007-14648 | 4 AWG                     | 2 AWG                  | 6.00" (152,4 mm) | 0.25" (6,4 mm) | 10           |
| SC0010    | 054007-14663 | 1/0 AWG                   | 2/0 AWG                | 6.00" (152,4 mm) | 0.25" (6,4 mm) | 10           |
| SC0020    | 054007-14671 | 2/0 AWG                   | 3/0 AWG                | 6.00" (152,4 mm) | 0.31" (7,9 mm) | 10           |
| SC0030    | 054007-14689 | 3/0 AWG                   | 4/0 AWG                | 6.00" (152,4 mm) | 0.31" (7,9 mm) | 10           |
| SC0040    | 054007-14697 | 4/0 AWG                   | N/A                    | 6.00" (152,4 mm) | 0.31" (7,9 mm) | 10           |

## Lugs: Parallel Clamp

**3M™ Parallel Clamp CP-1, up to 35 kV**

The 3M™ Parallel Clamp CP-1 is used in aerial connections with the stem connectors SC series.

|                |                              |
|----------------|------------------------------|
| Lug Base Metal | Aluminum                     |
| For use with   | Aluminum or Copper Conductor |



| Order No. | UPC          | Product Name       | Conductor Size                                    | Min. Order Qty. | Case Qty. |
|-----------|--------------|--------------------|---|-----------------|-----------|
| CP-1      | 054007-12204 | 3M™ Parallel Clamp | 6 AWG (Solid) – 2/0 AWG (Stranded)<br>(14–60 mm²) | 10              | 10        |

## Lugs: Aluminum Lugs for T-Bodies/Modular Splices

### 3M™ Aluminum One Hole Lugs for T-Bodies

The 3M™ Aluminum One Hole Lugs ML Series are designed to be used with the 3M™ 600 Amp T-Bodies 5815 Series fully shielded 600 Amp separable connector system which meets the requirements of ANSI/IEEE Standard 386 - "Separable Insulated Connector Systems." These modular kits are available for splicing, dead-ending and connecting to deadfront apparatus such as transformers, switches and switchgears equipped with 600 Amp bushings.

|                |                              |
|----------------|------------------------------|
| Barrel Type    | Standard Barrel              |
| No. of Holes   | One Hole                     |
| Lug Base Metal | Aluminum                     |
| For use with   | Aluminum or Copper Conductor |

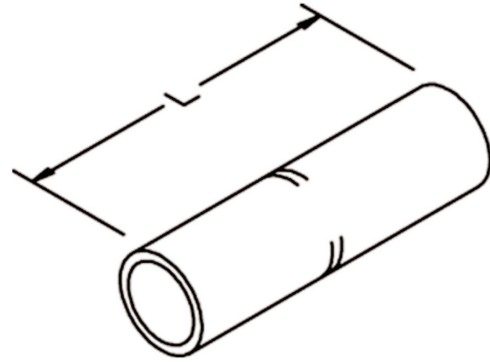
| Order No. | UPC          | Conductor Size | Min. Order Qty. | Case Qty. |
|-----------|--------------|----------------|-----------------|-----------|
| ML-1AL    | 054007-43487 | 1 AWG          | 10              | 10        |
| ML-2AL    | 054007-43486 | 2 AWG          | 10              | 10        |
| ML-1/0AL  | 054007-43488 | 1/0 AWG        | 10              | 10        |
| ML-2/0AL  | 054007-43489 | 2/0 AWG        | 10              | 10        |
| ML-3/0AL  | 054007-43490 | 3/0 AWG        | 10              | 10        |
| ML-4/0AL  | 054007-43491 | 4/0 AWG        | 10              | 10        |
| ML-250AL  | 054007-43492 | 250 kcmil      | 10              | 10        |
| ML-350AL  | 054007-43493 | 350 kcmil      | 10              | 10        |
| ML-500AL  | 054007-43494 | 500 kcmil      | 10              | 10        |
| ML-750AL  | 054007-43495 | 750 kcmil      | 3               | 3         |
| ML-1000AL | 054007-43496 | 1000 kcmil     | 3               | 10        |

## 3M™ Scotchlok™ Copper Connectors 10000 Series, Standard Barrel, up to 35 kV

The 3M™ Scotchlok™ Connectors 10000 Series are used on copper conductors only. They are constructed of one-piece, seamless high-conductivity copper with a standard barrel design and are electro tin-plated to resist electrolytic corrosion. (UL 486A Listed.)

Barrel Style Standard Barrel  
 Connector Base Metal Copper  
 For use with Copper Conductor Only  
 Max. Voltage 35 kV  
 RoHS 2011/65/EU Yes

Agency Approval



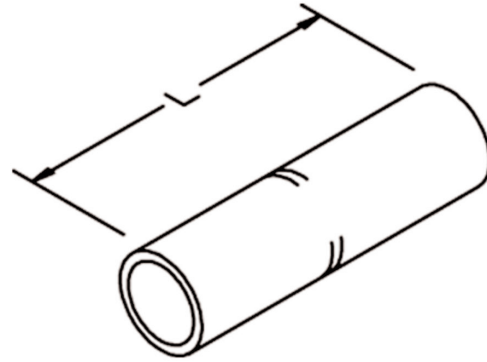
| Order No. | UPC          | Stranded Conductor Size | Color Code | Length          | Inside Diameter (I.D.) | Outside Diameter (O.D.) | Min. Order Qty. | Case Qty. |
|-----------|--------------|-------------------------|------------|-----------------|------------------------|-------------------------|-----------------|-----------|
| 10001     | 054007-12717 | 6 AWG                   | Blue       | 1.75" (44,4 mm) | 0.20" (5,1 mm)         | 0.29" (7,4 mm)          | 50              | 50        |
| 10002     | 054007-12725 | 4 AWG                   | Gray       | 1.75" (44,4 mm) | 0.25" (6,4 mm)         | 0.34" (8,6 mm)          | 50              | 50        |
| 10003     | 054007-12733 | 2 AWG                   | Brown      | 1.88" (47,7 mm) | 0.31" (7,8 mm)         | 0.42" (10,6 mm)         | 25              | 25        |
| 10004     | 054007-12758 | 1 AWG                   | Green      | 1.88" (47,7 mm) | 0.36" (9,1 mm)         | 0.46" (11,7 mm)         | 10              | 10        |
| 10005     | 054007-12766 | 1/0 AWG                 | Pink       | 1.88" (47,7 mm) | 0.39" (10,0 mm)        | 0.51" (13,0 mm)         | 10              | 10        |
| 10006     | 054007-12774 | 2/0 AWG                 | Black      | 2.00" (50,8 mm) | 0.44" (11,2 mm)        | 0.56" (14,2 mm)         | 10              | 10        |
| 10007     | 054007-12790 | 3/0 AWG                 | Orange     | 2.13" (54,0 mm) | 0.49" (12,4 mm)        | 0.62" (15,7 mm)         | 10              | 10        |
| 10008     | 054007-12816 | 4/0 AWG                 | Purple     | 2.13" (54,0 mm) | 0.55" (14,0 mm)        | 0.69" (17,4 mm)         | 10              | 10        |
| 10009     | 054007-12832 | 250 kcmil               | Yellow     | 2.25" (57,2 mm) | 0.60" (15,1 mm)        | 0.75" (19,1 mm)         | 3               | 3         |
| 10010     | 054007-12857 | 300 kcmil               | White      | 2.25" (57,2 mm) | 0.65" (16,5 mm)        | 0.81" (20,7 mm)         | 3               | 3         |
| 10011     | 054007-12873 | 350 kcmil               | Red        | 2.38" (60,4 mm) | 0.70" (17,8 mm)        | 0.88" (22,2 mm)         | 3               | 3         |
| 10014     | 054007-12899 | 500 kcmil               | Brown      | 2.88" (73,2 mm) | 0.84" (21,2 mm)        | 1.06" (27,0 mm)         | 3               | 3         |
| 10019     | 054007-12915 | 750 kcmil               | Black      | 3.38" (85,8 mm) | 1.03" (26,2 mm)        | 1.30" (33,0 mm)         | 3               | 3         |
| 10024     | 054007-12931 | 1000 kcmil              | White      | 3.88" (98,5 mm) | 1.17" (29,8 mm)        | 1.50" (38,1 mm)         | 3               | 3         |

## 3M™ Scotchlok™ Copper Connectors 11000 Series, Long Barrel, up to 35 kV

The 3M™ Scotchlok™ Connectors 11000 Series are used on copper conductors only. They are constructed of one-piece, seamless high-conductivity copper with a long barrel design and are electro tin-plated to resist electrolytic corrosion. (UL 486A Listed.)

Barrel Style Long Barrel  
 Connector Base Metal Copper  
 For use with Copper Conductor Only  
 Max. Voltage 35 kV  
 RoHS 2011/65/EU Yes


Agency Approval

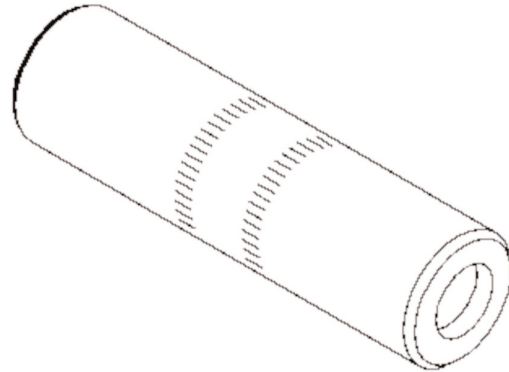


| Order No. | UPC          | Stranded Conductor Size | Color Code | Length           | Inside Diameter (I.D.) | Outside Diameter (O.D.) | Min. Order Qty. | Case Qty. |
|-----------|--------------|-------------------------|------------|------------------|------------------------|-------------------------|-----------------|-----------|
| 11006     | 054007-12782 | 2/0 AWG                 | Black      | 3.13" (79,4 mm)  | 0.44" (11,2 mm)        | 0.56" (14,2 mm)         | 10              | 10        |
| 11007     | 054007-12808 | 3/0 AWG                 | Orange     | 3.13" (79,4 mm)  | 0.49" (12,4 mm)        | 0.62" (15,7 mm)         | 10              | 10        |
| 11008     | 054007-12824 | 4/0 AWG                 | Purple     | 3.38" (85,8 mm)  | 0.55" (13,9 mm)        | 0.69" (17,4 mm)         | 10              | 10        |
| 11009     | 054007-12840 | 250 kcmil               | Yellow     | 3.38" (85,8 mm)  | 0.60" (15,1 mm)        | 0.75" (19,1 mm)         | 3               | 3         |
| 11010     | 054007-12865 | 300 kcmil               | White      | 4.13" (104,8 mm) | 0.65" (16,5 mm)        | 0.81" (20,7 mm)         | 3               | 3         |
| 11011     | 054007-12881 | 350 kcmil               | Red        | 4.13" (104,8 mm) | 0.70" (17,8 mm)        | 0.88" (22,2 mm)         | 3               | 3         |
| 11014     | 054007-12907 | 500 kcmil               | Brown      | 4.63" (117,5 mm) | 0.84" (21,3 mm)        | 1.06" (27,0 mm)         | 3               | 3         |
| 11019     | 054007-12923 | 750 kcmil               | Black      | 5.88" (149,3 mm) | 1.03" (26,2 mm)        | 1.30" (33,0 mm)         | 3               | 3         |
| 11024     | 054007-12949 | 1000 kcmil              | White      | 6.13" (155,6 mm) | 1.17" (29,8 mm)        | 1.50" (38,1 mm)         | 3               | 3         |

## 3M™ Scotchlok™ Aluminum Connectors 20000 Series (AL9CU) up to 35 kV

The 3M™ Scotchlok™ Connectors 20000 Series can be used with either copper or aluminum conductors. These aluminum connectors feature color coded end caps for identification. Contact aid provided in connector is compatible with poly/EPR insulations. Each connector is electro-tin plated to resist electrolytic corrosion, and have a solid center stop. (UL 486B Listed)

|                      |   |
|----------------------|---|
| Barrel Style         | Standard Barrel   |
| Connector Base Metal | Aluminum  |
| For use with         | Aluminum or Copper Conductor  |
| Max. Voltage         | 35 kV   |
| RoHS 2011/65/EU      | Yes   |
| Agency Approval      |  |



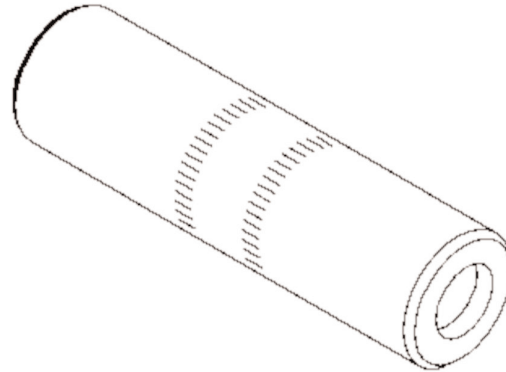
| Order No. | UPC          | Stranded Conductor Size | Color Code | Length           | Inside Diameter (I.D.) | Outside Diameter (O.D.) | Min. Order Qty. | Case Qty. |
|-----------|--------------|-------------------------|------------|------------------|------------------------|-------------------------|-----------------|-----------|
| 20001     | 054007-13236 | 6 AWG                   | Gray       | 1.62" (41,1 mm)  | 0.20" (5,1 mm)         | 0.34" (8,8 mm)          | 50              | 50        |
| 20002     | 054007-13244 | 4 AWG                   | Green      | 2.12" (53,8 mm)  | 0.27" (6,7 mm)         | 0.48" (12,2 mm)         | 50              | 50        |
| 20003     | 054007-13251 | 2 AWG                   | Pink       | 2.00" (50,8 mm)  | 0.31" (7,8 mm)         | 0.53" (13,5 mm)         | 25              | 25        |
| 20004     | 054007-13269 | 1 AWG                   | Gold       | 2.00" (50,8 mm)  | 0.35" (8,9 mm)         | 0.53" (13,5 mm)         | 10              | 10        |
| 20005     | 054007-13277 | 1/0 AWG                 | Tan        | 2.12" (53,8 mm)  | 0.39" (9,9 mm)         | 0.64" (16,3 mm)         | 10              | 10        |
| 20006     | 054007-13285 | 2/0 AWG                 | Olive      | 2.31" (58,7 mm)  | 0.44" (11,2 mm)        | 0.69" (17,4 mm)         | 10              | 10        |
| 20007     | 054007-13293 | 3/0 AWG                 | Ruby       | 2.62" (66,5 mm)  | 0.48" (12,3 mm)        | 0.76" (19,3 mm)         | 10              | 10        |
| 20008     | 054007-13301 | 4/0 AWG                 | White      | 2.75" (69,9 mm)  | 0.54" (13,7 mm)        | 0.88" (22,2 mm)         | 10              | 10        |
| 20009     | 054007-13319 | 250 kcmil               | Red        | 2.94" (74,7 mm)  | 0.59" (15,1 mm)        | 0.91" (23,0 mm)         | 3               | 3         |
| 20010     | 054007-13327 | 300 kcmil               | Dark Blue  | 3.12" (79,2 mm)  | 0.65" (16,5 mm)        | 1.00" (25,4 mm)         | 3               | 3         |
| 20011     | 054007-13335 | 350 kcmil               | Brown      | 3.38" (85,8 mm)  | 0.72" (18,3 mm)        | 1.12" (28,4 mm)         | 3               | 3         |
| 20012     | 054007-13343 | 400 kcmil               | Green      | 3.75" (95,3 mm)  | 0.762" (19,4 mm)       | 1.18" (30,0 mm)         | 3               | 3         |
| 20014     | 054007-13350 | 500 kcmil               | Pink       | 3.88" (98,6 mm)  | 0.843" (21,4 mm)       | 1.32" (33,5 mm)         | 3               | 3         |
| 20016     | 054007-13368 | 600 kcmil               | Black      | 4.12" (104,6 mm) | 0.92" (23,4 mm)        | 1.43" (36,3 mm)         | 3               | 3         |
| 20019     | 054007-13376 | 750 kcmil               | Yellow     | 4.68" (118,8 mm) | 1.03" (26,2 mm)        | 1.60" (40,6 mm)         | 3               | 3         |
| 20020     | 054007-13384 | 800 kcmil               | Light Blue | 4.75" (120,7 mm) | 1.06" (26,9 mm)        | 1.65" (41,9 mm)         | 3               | 3         |
| 20024     | 054007-13392 | 1000 kcmil              | Brown      | 5.25" (133,4 mm) | 1.19" (30,3 mm)        | 1.84" (46,8 mm)         | 3               | 3         |

## Connectors: Compression Splice Connectors

### 3M™ Aluminum Connectors CI Series, up to 35 kV

The 3M™ Aluminum Connectors CI Series are for splicing applications on aluminum or copper cable conductors. The CI Series aluminum connectors are specially designed for use with 3M™ Pre-molded Power Cable Splice Bodies QS, QS-II and QS-III . Each connector is electro-tin plated to resist electrolytic corrosion, and have a solid center stop. These connectors meet the requirements of ANSI C119.4.

|                      |                              |
|----------------------|------------------------------|
| Barrel Style         | Standard Barrel              |
| Connector Base Metal | Aluminum                     |
| For use with         | Aluminum or Copper Conductor |
| Max. Voltage         | 35 kV                        |
| Agency Approval      | ANSI C119.4                  |



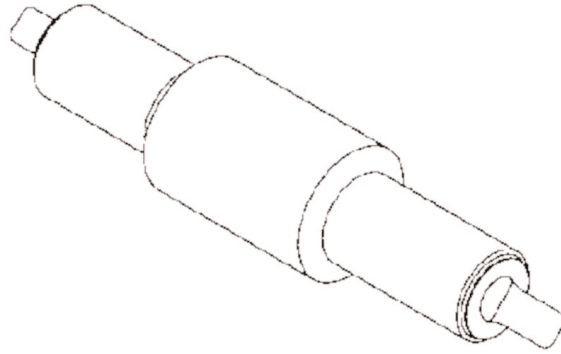
| Order No.  | UPC          | Stranded Conductor Size | Solid Conductor Size | Compatible with                                 | Length           | Outside Diameter (O.D.) | Min. Order Qty. | Case Qty. |
|------------|--------------|-------------------------|----------------------|---|------------------|-------------------------|-----------------|-----------|
| CI-1       | 054007-25628 | 1 AWG                   | N/A                  | Use with molded rubber splices 15 kV.           | 2.0" (50,8 mm)   | 0.64" (16,2 mm)         | 10              | 10        |
| CI-2       | 054007-11651 | 2 AWG                   | 1 AWG                | Use with molded rubber splices 15 kV.           | 2.0" (50,8 mm)   | 0.64" (16,2 mm)         | 10              | 10        |
| CI-21      | 054007-11856 | 2 AWG, 1 AWG            | 1 AWG, 1/0 AWG       | Use with molded rubber splices 15 kV.           | 2.0" (50,8 mm)   | 0.64" (16,2 mm)         | 10              | 10        |
| CI-21-840  | 054007-09136 | 2 AWG, 1 AWG            | 1 AWG, 1/0 AWG       | Use with molded rubber splices 25 kV.           | 3.0" (76,2 mm)   | 0.91" (23,1 mm)         | 10              | 10        |
| CI-22      | 054007-25636 | 4 AWG                   | 2 AWG                | Use with molded rubber splices 15 kV.           | 2.0" (50,8 mm)   | 0.64" (16,2 mm)         | 10              | 10        |
| CI-1/0     | 054007-11867 | 1/0 AWG                 | N/A                  | Use with molded rubber splices 15 kV.           | 2.0" (50,8 mm)   | 0.64" (16,2 mm)         | 10              | 10        |
| CI-1/0-840 | 054007-09137 | 1/0 AWG                 | N/A                  | Use with molded rubber splices 25 kV.           | 3.0" (76,2 mm)   | 0.91" (23,1 mm)         | 10              | 10        |
| CI-2/0     | 054007-11875 | 2/0 AWG                 | N/A                  | Use with molded rubber splices 15 kV and 25 kV. | 3.0" (76,2 mm)   | 0.91" (23,1 mm)         | 10              | 10        |
| CI-3/0     | 054007-11883 | 3/0 AWG                 | N/A                  | Use with molded rubber splices 15 kV and 25 kV. | 3.0" (76,2 mm)   | 0.91" (23,1 mm)         | 10              | 10        |
| CI-4/0     | 054007-11891 | 4/0 AWG                 | N/A                  | Use with molded rubber splices 15 kV and 25 kV. | 3.0" (76,2 mm)   | 0.91" (23,1 mm)         | 10              | 10        |
| CI-250     | 054007-11909 | 250 kcmil               | N/A                  | Use with molded rubber splices 15 kV and 25 kV. | 3.75" (95,2 mm)  | 1.12" (28,4 mm)         | 10              | 10        |
| CI-350     | 054007-11925 | 350 kcmil               | N/A                  | Use with molded rubber splices 15 kV and 25 kV. | 3.70" (94,0 mm)  | 1.12" (28,4 mm)         | 10              | 10        |
| CI-450     | 054007-11933 | 500 kcmil (Compact)     | N/A                  | Use with molded rubber splices 15 kV and 25 kV. | 4.25" (107,9 mm) | 1.32" (33,5 mm)         | 10              | 10        |
| CI-500     | 054007-25644 | 500 kcmil               | N/A                  | Use with molded rubber splices 15 kV and 25 kV. | 4.25" (107,9 mm) | 1.32" (33,5 mm)         | 10              | 10        |
| CI-650     | 054007-11941 | 750 kcmil (Compact)     | N/A                  | Use with molded rubber splices 15 kV and 25 kV. | 4.66" (118,4 mm) | 1.70" (43,0 mm)         | 10              | 10        |
| CI-750     | 054007-25651 | 750 kcmil               | N/A                  | Use with molded rubber splices 15 kV and 25 kV. | 4.66" (118,4 mm) | 1.59" (40,4 mm)         | 10              | 10        |



## 3M™ Aluminum Connectors CI-A Series, up to 35 kV

The 3M™ Connector CI-A series is used with the 3M™ Molded Rubber QS-II Inline Cable Splice 5420 and 5450 series as well as the 3M™ Molded Rubber QS-II Inline Cable Splice Kit 5461. Each connector is electro-tin plated to resist electrolytic corrosion.

|                      |                              |
|----------------------|------------------------------|
| Barrel Style         | Standard Barrel              |
| Connector Base Metal | Aluminum                     |
| For use with         | Aluminum or Copper Conductor |
| Max. Voltage         | 35 kV                        |



| Order No. | UPC          | Stranded Conductor Size | Solid Conductor Size | Compatible with                               | Outside Diameter (O.D.) | Min. Order Qty. | Case Qty. |
|-----------|--------------|-------------------------|----------------------|---|-------------------------|-----------------|-----------|
| CI-22A    | 054007-15868 | N/A                     | 2 AWG                | 5420 Series, 5461 splice kit, and 5450 Series | 0.91" (23,1 mm)         | 10              | 10        |
| CI-2A     | 054007-00721 | 2 AWG                   | 1 AWG                | 5420 Series, 5461 splice kit, and 5450 Series | 0.91" (23,1 mm)         | 10              | 10        |
| CI-1A     | 054007-00722 | 1 AWG                   | 1/0 AWG              | 5420 Series, 5461 splice kit, and 5450 Series | 0.91" (23,1 mm)         | 10              | 10        |
| CI-1/0A   | 054007-14176 | 1/0 AWG                 | N/A                  | 5420 series, 5461 splice kit, and 5450 series | 0.91" (23,1 mm)         | 10              | 10        |

## Connectors: Compression Splice Connectors

### 3M™ Scotchlok™ Connectors 2000T-CU, up to 35 kV

The 3M™ Scotchlok™ Connectors 2000T-CU Series are copper inline sleeves for use with copper conductor cables of the same size and are specifically designed for use with PILC power cable. They can be used on concentric, compressed, and compact stranded conductors. A rounding die is recommended to round out the sector shape of the connector when used with sector shaped conductors. The 2000T-CU connectors, like all 2000T series connectors, have a solid center oil stop and meet ANSI Standard C-119.4. They are designed for use with splice kits from the 3M™ Cold Shrink Splice Kit QS-2000T Series, the 3M™ Cold Shrink Splice Kit QS-2000-3T Series, the 3M™ Cold Shrink CS500Pb Series, and the Scotch® Tape Splice Kits 5700 Series.

|                             |                       |
|-----------------------------|-----------------------|
| <b>Barrel Style</b>         | Standard Barrel       |
| <b>Connector Base Metal</b> | Copper                |
| <b>For use with</b>         | Copper PILC Conductor |
| <b>Max. Voltage</b>         | 35 kV                 |
| <b>Agency Approval</b>      | ANSI Standard C-119.4 |



| Order No.    | UPC          | Stranded Conductor Size | Length           | Outside Diameter (O.D.) | Min. Order Qty. | Case Qty. |
|--------------|--------------|-------------------------|------------------|-------------------------|-----------------|-----------|
| 2000T-2-CU   | 054007-42247 | 2 AWG                   | 5.32" (135,1 mm) | 0.700" (17,8 mm)        | 9               | 9         |
| 2000T-2/0-CU | 054007-42250 | 2/0 AWG                 | 5.32" (135,1 mm) | 0.700" (17,8 mm)        | 3               | 3         |
| 2000T-4/0-CU | 054007-42252 | 4/0 AWG                 | 5.25" (133,3 mm) | 0.880" (22,3 mm)        | 3               | 3         |
| 2000T-250-CU | 054007-42253 | 250 kcmil               | 5.25" (133,3 mm) | 0.880" (22,3 mm)        | 3               | 3         |
| 2000T-500-CU | 054007-42258 | 500 kcmil               | 6.90" (175,3 mm) | 1.125" (28,6 mm)        | 3               | 3         |
| 2000T-750-CU | 054007-42263 | 750 kcmil               | 6.90" (175,3 mm) | 1.300" (33,0 mm)        | 3               | 3         |

## 3M™ Scotchlok™ Reducer Series Connectors 2000T-CU/AL, up to 35 kV

The 3M™ Scotchlok™ Reducer Series Connectors 2000T-CU/AL are aluminum inline sleeves that are applicable for both aluminum and copper conductors and specifically designed for use with PILC power cable. The barrel inner diameters on each end are different, allowing the connection of different size conductors. These connectors can be used on concentric, compressed, and compact stranded conductors. A rounding die is recommended to round out the sector shape of the connector when used with sector shaped conductors. The 2000T Reducer Series connectors, like all 2000T series connectors, have a solid center oil stop and meet ANSI Standard C-119.4. They are designed for use with splice kits from the 3M™ Scotchlok™ 2000T Series, the 3M™ Scotchlok™ 2000-3T Series, the 3M™ Cold Shrink Splice Kits Selection CS500Pb Series, and the Scotch® Tape Splice Kits 5700 Series. Each connector is electro-tin plated to resist electrolytic corrosion.

|                             |                                   |
|-----------------------------|-----------------------------------|
| <b>Barrel Style</b>         | Standard Barrel                   |
| <b>Connector Base Metal</b> | Aluminum                          |
| <b>For use with</b>         | Aluminum or Copper PILC Conductor |
| <b>Max. Voltage</b>         | 35 kV                             |
| <b>Agency Approval</b>      | ANSI Standard C-119.4             |



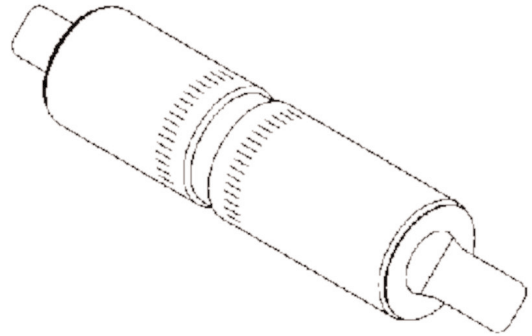
| Order No.            | UPC          | Stranded Conductor Size | Length           | Outside Diameter (O.D.) | Min. Order Qty. | Case Qty. |
|----------------------|--------------|-------------------------|------------------|-------------------------|-----------------|-----------|
| 2000T 2-1/0 CU/AL    | 054007-42226 | 2-1/0 AWG               | 4.74" (120,4 mm) | 0.640" (16,2 mm)        | 9               | 9         |
| 2000T 1/0-2/0 CU/AL  | 054007-42228 | 1/0-2/0 AWG             | 4.70" (119,4 mm) | 0.910" (23,1 mm)        | 3               | 3         |
| 2000T 2/0-4/0 CU/AL  | 054007-42229 | 2/0-4/0 AWG             | 4.70" (119,4 mm) | 0.910" (23,1 mm)        | 3               | 3         |
| 2000T 250-350 CU/AL  | 054007-42232 | 250-350 kcmil           | 4.70" (119,4 mm) | 1.125" (28,6 mm)        | 3               | 3         |
| 2000T 350-500 CU/AL  | 054007-42234 | 350-500 kcmil           | 4.70" (119,4 mm) | 1.320" (33,5 mm)        | 3               | 3         |
| 2000T 500-750 CU/AL  | 054007-42236 | 500-750 kcmil           | 6.25" (158,7 mm) | 1.600" (40,6 mm)        | 3               | 3         |
| 2000T 500-1000 CU/AL | 054007-42238 | 500-1000 kcmil          | 6.25" (158,7 mm) | 1.625" (41,3 mm)        | 3               | 3         |
| 2000T 750-1000 CU/AL | 054007-42243 | 750-1000 kcmil          | 6.25" (158,7 mm) | 1.625" (41,3 mm)        | 3               | 3         |

## Connectors: Transition Splice Connectors

### 3M™ Aluminum Transition Connectors CI-T Series, up to 35 kV

3M™ CI-T Series Connectors are for splicing applications on aluminum or copper cable where two different conductor sizes need to be joined. The CI Series aluminum connectors are specially designed for use with 3M pre-molded power cable splice bodies. Each connector is electro-tin plated to resist electrolytic corrosion.

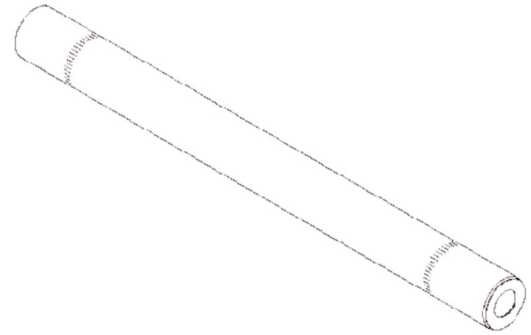
|                      |                              |
|----------------------|------------------------------|
| Barrel Style         | Standard Barrel              |
| Connector Base Metal | Aluminum                     |
| For use with         | Aluminum or Copper Conductor |
| Max. Voltage         | 35 kV                        |



| Order No. | UPC          | Conductor Size<br>– Cable A – Stranded<br>(Solid) | Conductor Size<br>– Cable B – Stranded<br>(Solid) | Outside<br>Diameter (O.D.) | Compatible With  | Min.<br>Order<br>Qty. | Case<br>Qty. |
|-----------|--------------|---|---|----------------------------|--|-----------------------|--------------|
| CI-T-1    | 054007-11958 | 4 AWG (2 AWG)                                     | 1 AWG (1/0 AWG)                                   | 0.64" (16,2 mm)            | 3M™ Molded Rubber QS-II Cable Splice 5411 and<br>3M™ Molded Rubber QS-II Cable Splice 5501 | 10                    | 10           |
| CI-T-2    | 054007-11966 | 2 AWG (1 AWG)                                     | 1 AWG (1/0 AWG)                                   | 0.64" (16,2 mm)            | 3M™ Molded Rubber QS-II Cable Splice 5411 and<br>3M™ Molded Rubber QS-II Cable Splice 5501 | 10                    | 10           |
| CI-T-3    | 054007-11974 | 4 AWG (2 AWG)                                     | 1/0 AWG Stranded                                  | 0.64" (16,2 mm)            | 3M™ Molded Rubber QS-II Cable Splice 5411 and<br>3M™ Molded Rubber QS-II Cable Splice 5501 | 10                    | 10           |
| CI-T-4    | 054007-11982 | 2 AWG (1 AWG)                                     | 1/0 AWG Stranded                                  | 0.64" (16,2 mm)            | 3M™ Molded Rubber QS-II Cable Splice 5411 and<br>3M™ Molded Rubber QS-II Cable Splice 5501 | 10                    | 10           |
| CI-T-5    | 054007-11990 | 2 AWG (1 AWG)                                     | 4 AWG (2 AWG)                                     | 0.64" (16,2 mm)            | 3M™ Molded Rubber QS-II Cable Splice 5411 and<br>3M™ Molded Rubber QS-II Cable Splice 5501 | 10                    | 10           |
| CI-T-7    | 054007-41806 | 3/0 AWG Stranded                                  | 4/0 AWG Stranded                                  | 0.91" (23,1 mm)            | 3M™ Molded Rubber QS-II Cable Splice 5411 and<br>3M™ Molded Rubber QS-II Cable Splice 5501 | 10                    | 10           |
| CI-T-9    | 054007-44533 | 1 AWG (1/0 AWG)                                   | 1/0 AWG Stranded                                  | 0.64" (16,2 mm)            | 3M™ Molded Rubber QS-II Cable Splice 5411 and<br>3M™ Molded Rubber QS-II Cable Splice 5501 | 10                    | 10           |

## 3M™ Aluminum Repair Connectors CIR Series

3M™ Aluminum Repair Connectors CIR Series are specially designed for use with 3M™ QS-II Repair Splice Kits. They are aluminum connectors for use on aluminum or copper cable conductors. When used with the appropriate splice kit, these connectors allow up to 6" (152 mm) of damaged cable conductor to be removed, virtually eliminating the need to splice in a new section of cable. CIR series connectors meet the requirements of ANSI C119.4. Each connector is electro-tin plated to resist electrolytic corrosion.



|                      |                              |
|----------------------|------------------------------|
| Connector Base Metal | Aluminum                     |
| For use with         | Aluminum or Copper Conductor |
| Agency Approval      | ANSI C119.4                  |

| Order No.   | UPC          | Conductor Size, Stranded          | Conductor Size, Solid | Length          | Outside Diameter (O.D.) | Compatible with   | Case Qty. |
|-------------|--------------|-----------------------------------|-----------------------|-----------------|-------------------------|-------------------|-----------|
| CIR-2       | 054007-11966 | 2 AWG                             | -                     | 8.0" (203,2 mm) | 0.64" (16,2 mm)         | 5411R Splice Body | 10        |
| CIR-21      | 054007-09357 | 2 AWG, 1 AWG                      | 1 AWG, 1/0 AWG        | 8.0" (203,2 mm) | 0.64" (16,2 mm)         | 5411R Splice Body | 10        |
| CIR-21A     | 054007-50227 | 2 AWG, 1 AWG                      | 1 AWG, 1/0 AWG        | 9.0" (228,6 mm) | 0.91" (23,1 mm)         | 5451R Splice Body | 10        |
| CIR-22      | 054007-09356 | 4 AWG (220 mil insulation only)   | 2 AWG                 | 8.0" (203,2 mm) | 0.64" (16,2 mm)         | 5411R Splice Body | 10        |
| CIR-1/0     | 054007-09358 | 1/0 AWG                           | N/A                   | 8.0" (203,2 mm) | 0.64" (16,2 mm)         | 5411R Splice Body | 10        |
| CIR-1/0-840 | 054007-09137 | 1/0 AWG                           | N/A                   | 9.0" (228,6 mm) | 0.91" (23,1 mm)         | 5451R Splice Body | 10        |
| CIR-1/0A    | 054007-50226 | 1/0 AWG                           | 2/0 AWG               | 9.0" (228,6 mm) | 0.91" (23,1 mm)         | 5451R Splice Body | 10        |
| CIR-2/0     | 054007-41964 | 2/0 AWG (220 mil insulation only) | N/A                   | 9.0" (228,6 mm) | 0.91" (23,1 mm)         | 5412R Splice Body | 10        |
| CIR-3/0     | 054007-41965 | 3/0 AWG                           | -                     | 9.0" (228,6 mm) | 0.91" (23,1 mm)         | 5412R Splice Body | 10        |
| CIR-4/0     | 054007-50228 | 4/0 AWG                           | N/A                   | 9.0" (228,6 mm) | 0.91" (23,1 mm)         | 5412R Splice Body | 10        |

## Connectors: Shearbolt Splice Connectors

### 3M™ Shearbolt Connector QCI Series

The 3M™ Shearbolt Connector QCI Series offer easy installation without crimp tools or dies and withstands the ANSI C119.4, Class 2 (partial tension) 40% pull out force required by IEEE-404. They connect copper and/or aluminum conductors.

The bolts are designed to shear off just below the outer surface of the connector body to eliminate the need to file, whether you are connecting to American Wire Gauge conductors or metric conductors. These connectors can be used for applications up to 46 kV and can be packed in a kit with 3M™ QS-III Splices or purchased separately. Each connector is electro-tin plated to resist electrolytic corrosion and contain a center stop.

\* The 3M™ Splice Kits 5468A and 5536A are sized to cover 35 kV 350–1000 kcmil. Therefore, two shearbolt connectors are required to cover the range.

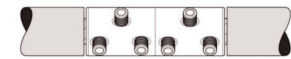
\*\* Installer should verify that both cables are within the Insulation O.D. Range of the splice kit before using any given QCI connector.

† No centering rings used with this connector.

|                      |                              |
|----------------------|------------------------------|
| Barrel Style         | Shearbolt                    |
| Connector Base Metal | Aluminum                     |
| For use with         | Copper or Aluminum Conductor |
| Max. Voltage         | 35 kV                        |



8-Screw Connector



6-Screw Connector



4-Screw Connector

| Order No.      | UPC          | Stranded Conductor Size | Length w/ Centering Rings | Outside Diameter (O.D.) | 3M Integrated Splice Kit QS-III-IJ Compatibility** | 3M Standard Splice Kit QS-III Compatibility** | Min. Order Qty. | Case Qty. |
|----------------|--------------|-------------------------|---------------------------|-------------------------|--|---|-----------------|-----------|
| QCI 2-250      | 051128-58537 | 2 AWG–250 kcmil         | 4.41" (112 mm)            | 1.10" (28 mm)           | 5415A-IJ, 5456A-IJ                                 | 5415A, 5456A, 5513A, 5524A                    | 3               | 3         |
| QCI 1/0-350    | 051128-58538 | 1/0 AWG–350 kcmil       | 5.12" (130 mm)            | 1.30" (33 mm)           | 5467A-IJ   | 5467A, 5535A                                  | 3               | 3         |
| QCI 4/0-600    | 051128-58539 | 4/0 AWG–600 kcmil       | 5.75" (146 mm)            | 1.50" (38 mm)           | 5416A-IJ, 5457A-IJ                                 | 5416A, 5457A, 5514A, 5525A                    | 1               | 1         |
| QCI 350-750    | 051128-58540 | 350–750 kcmil           | 6.93" (176 mm)            | 1.65" (42 mm)           | 5417A-IJ, *5468A-IJ                                | 5417A, *5468A, 5515A, *5536A                  | 1               | 1         |
| QCI 500-1000   | 051128-58541 | 500–1000 kcmil          | 7.83" (199 mm)            | 2.05" (52 mm)           | 5418A-IJ, 5458A-IJ, *5468A-IJ                      | 5418A, 5458A, *5468A, 5516A, 5526A, *5536A    | 1               | 1         |
| QCI 1000-1250† | 051128-59488 | 1000–1250 kcmil         | 8.25" (210 mm)†           | 2.10" (53 mm)           | –  | –   | 1               | 1         |