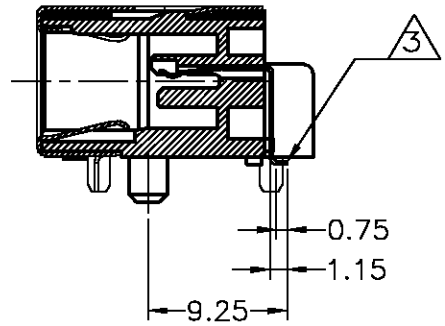
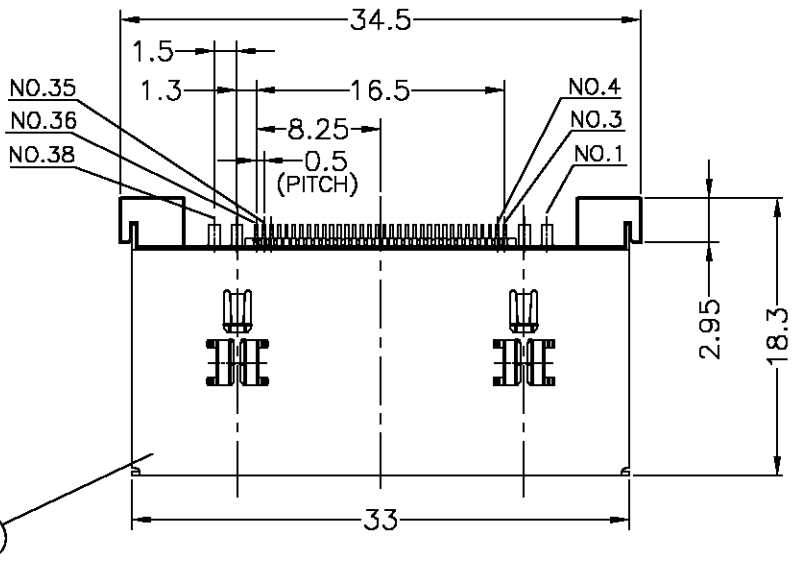


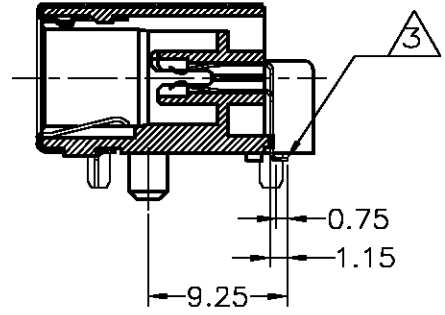
THIS DRAWING IS UNPUBLISHED. RELEASED FOR PUBLICATION

© COPYRIGHT BY TYCO ELECTRONICS CORPORATION. ALL RIGHTS RESERVED.

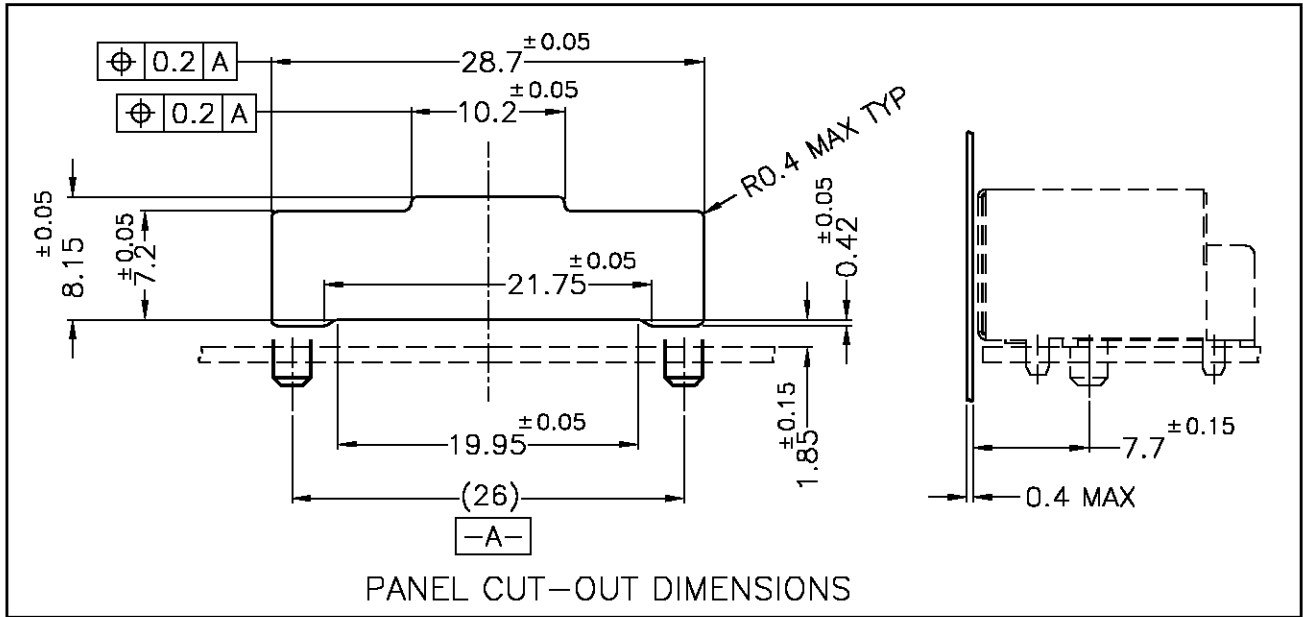
LOC	DIST	REVISIONS					
		P	LTR	DESCRIPTION	DATE	DWN	APVD
J	-	0		RELEASED FJBO-1203-04	02NOV04	A.K	Y.Y



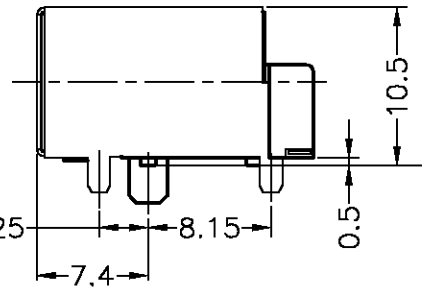
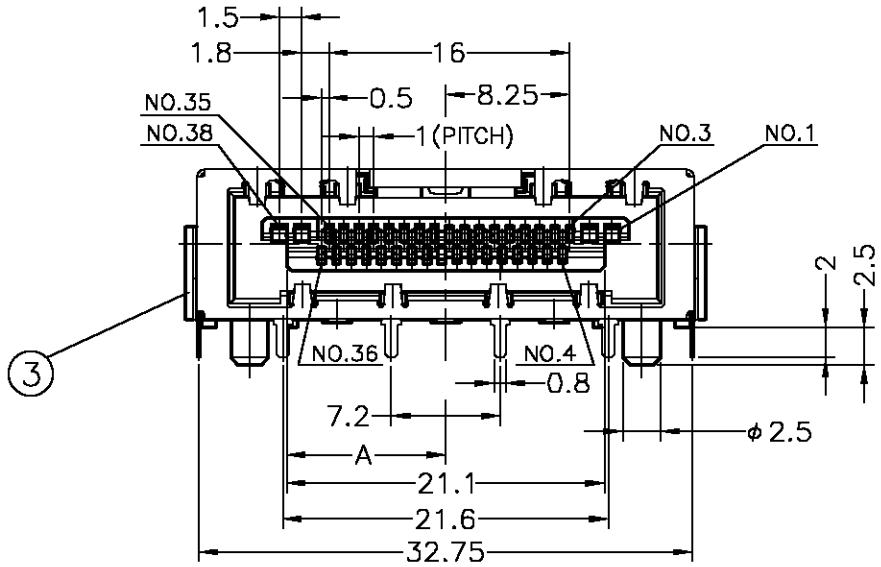
POWER CONT. SECTION



SIGNAL CONT. SECTION



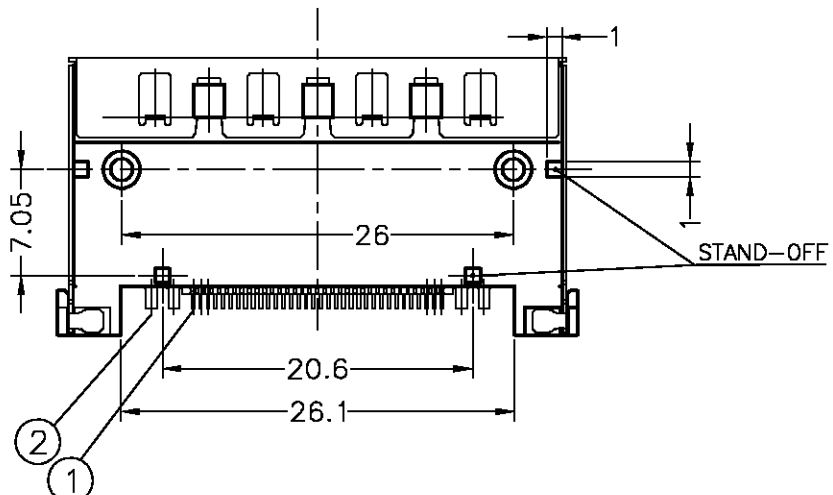
PANEL CUT-OUT DIMENSIONS



P/N	EMBOSS
6376818-1	1-6376818-1
TRAY	EMBOSS
6376818-1	1-6376818-1

QTY	NAME	DIM A	MATERIAL	FINISH	ITEM NO.
1	SHELL	-	COPPER ALLOY	Tin PLATING	4
1	HOUSING WITH KEY 4	12.2	THERMOPLASTIC	-	3
1	HOUSING WITH KEY 3	11.1	THERMOPLASTIC	-	3
1	HOUSING WITH KEY 2	10.0	THERMOPLASTIC	-	3
1	HOUSING WITH KEY 1	8.9	THERMOPLASTIC	-	3
4	POWER CONTACT	-	COPPER ALLOY	CONTACT AREA: Au PI. OVER Ni PI.	2
34	SIGNAL CONTACT	-	COPPER ALLOY	SOLDER TAIL: Tin PI. OVER Ni PI.	1

PARTS LIST

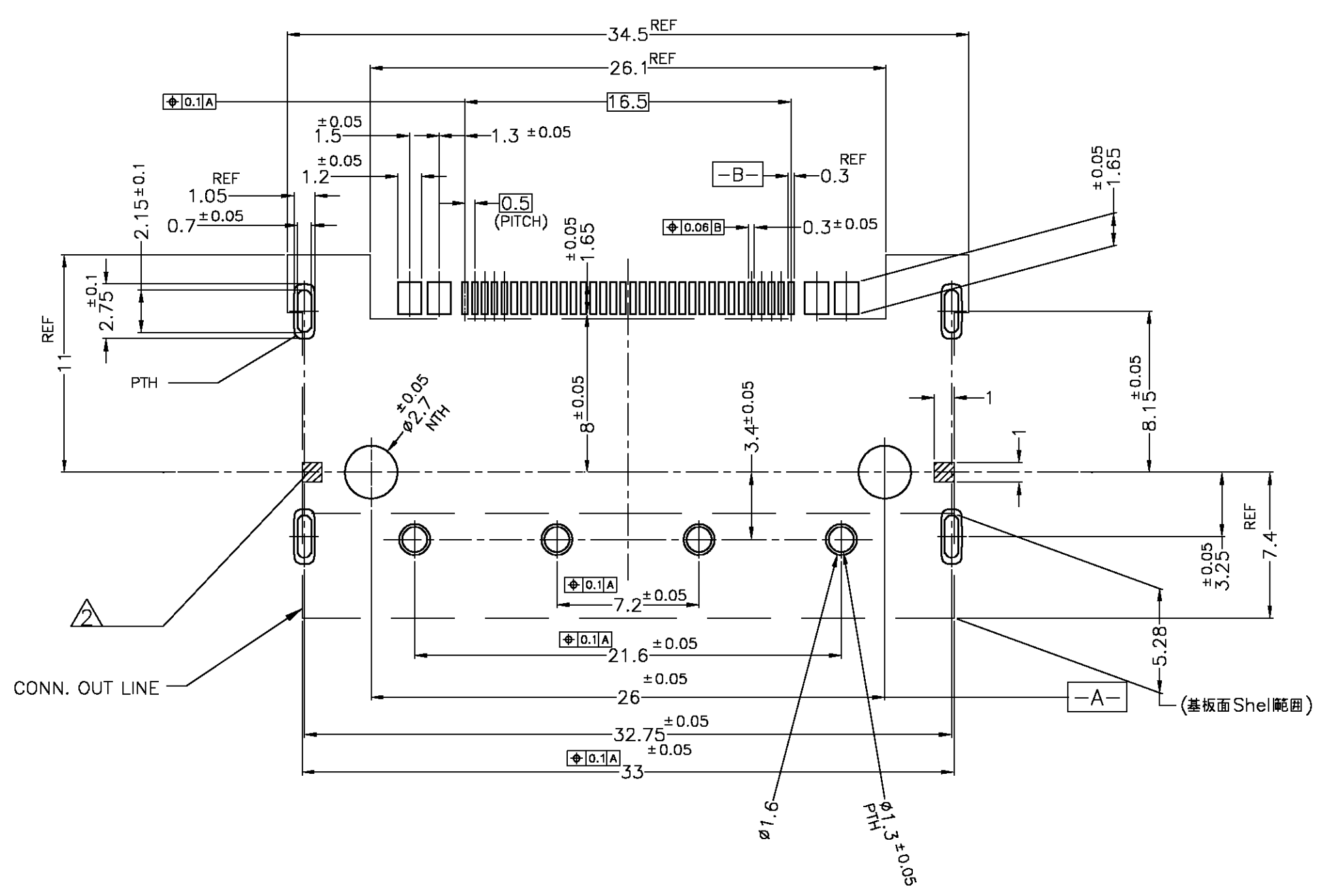


THIS DRAWING IS A CONTROLLED DOCUMENT.

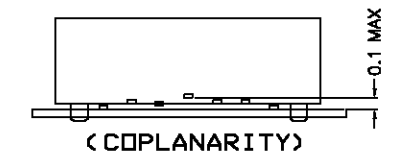
DWN A.KUBO	01NOV04	tyco Electronics	Tyco Electronics AMP K.K. Kawasaki, Japan			
CHK S.KAJINUMA	02NOV04					
APVD Y.YAMAMOTO	02NOV04	NAME 名称	HEADER 1MM GIGA I/O CONN. LEAD-FREE			
DIMENSIONS: 单位: 耗 MM	TOLERANCES UNLESS OTHERWISE SPECIFIED: 一般公差	PRODUCT SPEC 製品規格 108-78219	SIZE	CAGE CODE	DRAWING NO 番号	RESTRICTED TO
MATERIAL 材料 SEE TABLE	FINISH 仕上 SEE TABLE	APPLICATION SPEC 取付適用規格	WEIGHT 6.3 g	A3	00779	C-6376818
CUSTOMER DRAWING			SCALE 尺度	2:1	SHEET 1 OF 4	REV 0

THIS DRAWING IS UNPUBLISHED. RELEASED FOR PUBLICATION
 © COPYRIGHT BY TYCO ELECTRONICS CORPORATION. ALL RIGHTS RESERVED.

LOC	DIST	REVISIONS					
J	-	P	LTR	DESCRIPTION	DATE	DWN	APVD
		-	-	SEE SHEET 1	-	-	-

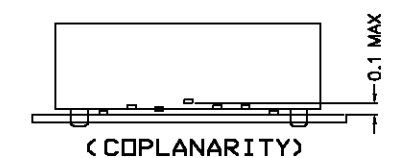


- 1 PWB: 1.0t
METAL MASK: 0.12t
(リフロー後、スルーホール部は手半田でのフィレット形成を推奨)
- 2 スタンドオフ エリア (パターン 禁止領域)
- 3 コンタクトタイン部の平坦度 (COPLANARITY) は 0.1 MAX



4. パッキング仕様 : SHEET 3,4を参照のこと。

- 1 PWB: 1.0t
METAL MASK: 0.12t
(MANUAL TOUCH UP IS RECOMMENDED TO CREATE SOLDER FILET AT THROUGH HOLE AREA AFTER REFLOW MOUNTING)
- 2 STAND-OFF AREA (PROHIBITED PATTERN AREA)
- 3 COPLANARITY AT CONTACT TINES : 0.1 MAX

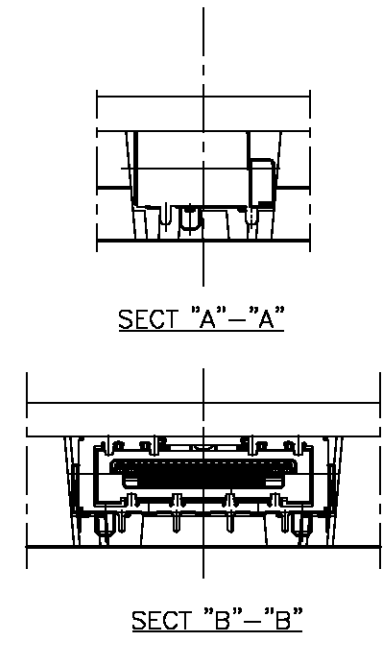
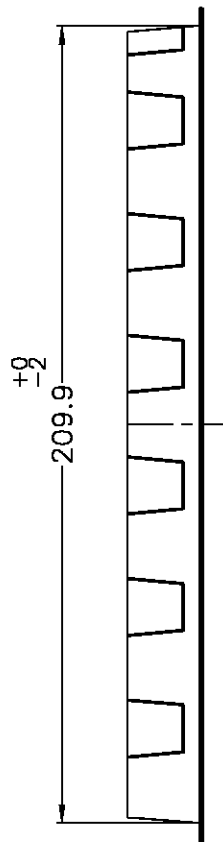
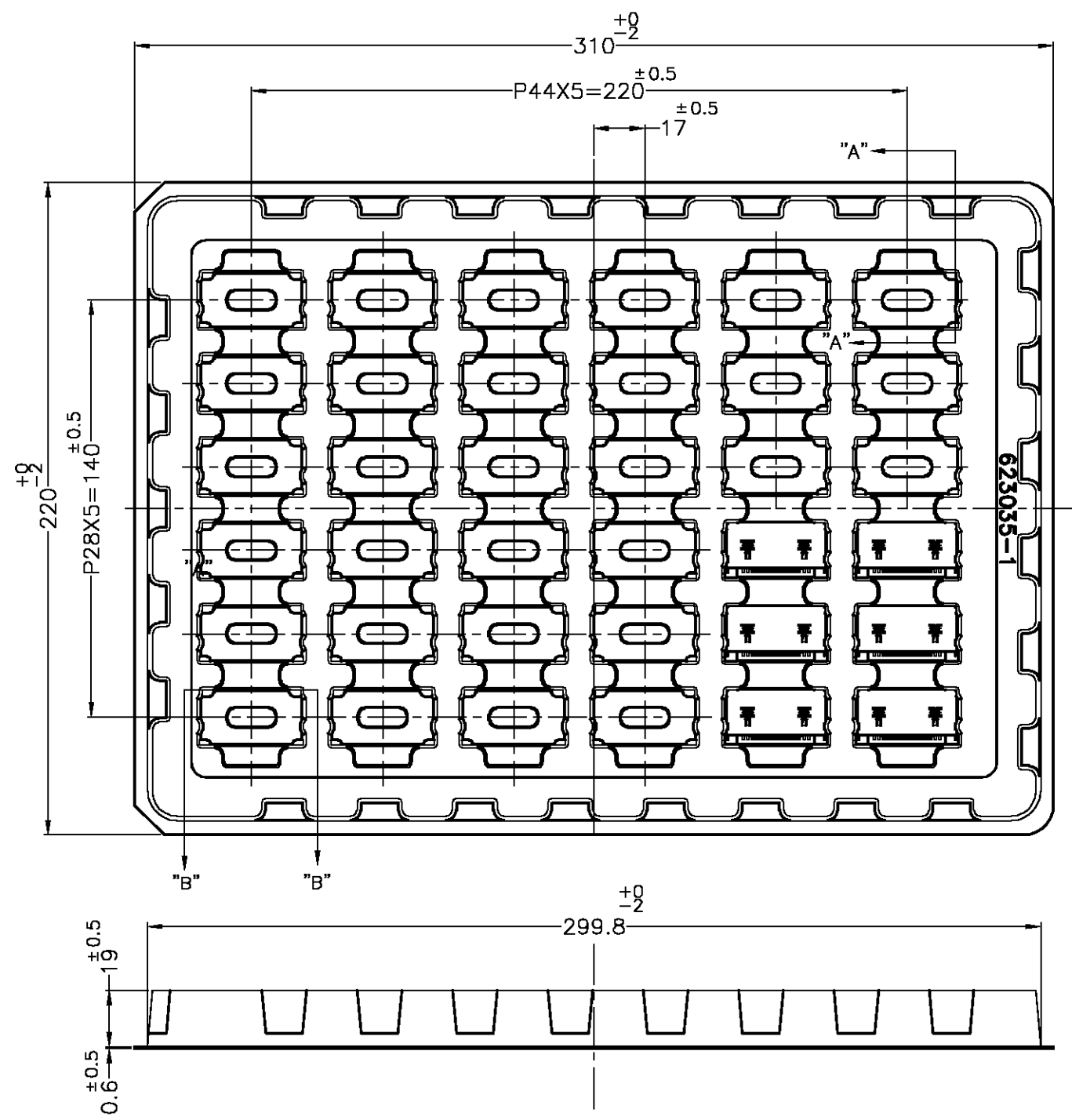


4. PACKING TYPE : REFERENCE TO SHEET 3,4

THIS DRAWING IS A CONTROLLED DOCUMENT.		DWN	tyco Electronics		Tyco Electronics AMP K.K. Kawasaki, Japan	
DIMENSIONS: 単位: 特 MM		CHK	NAME 名称		HEADER 1MM GIGA I/O CONN. LEAD-FREE	
TOLERANCES UNLESS OTHERWISE SPECIFIED: 一般公差		APVD	PRODUCT SPEC 製品規格		SIZE	CAGE CODE
0 PLC ± -		PRODUCT SPEC	APPLICATION SPEC 取付適用規格		A3	00779
1 PLC ± -		APPLICATION SPEC	WEIGHT		DRAWING NO 番号	
2 PLC ± -		WEIGHT	CUSTOMER DRAWING		C-6376818	
3 PLC ± -		SCALE 尺度 4:1		SHEET 2 OF 4		REV 0
4 PLC ± -		RESTRICTED TO		-		
ANGLES ± -		SCALE		SHEET		REV
FINISH 仕上		尺度 4:1		2 OF 4		0
MATERIAL 材料		RESTRICTED TO		-		

THIS DRAWING IS UNPUBLISHED. RELEASED FOR PUBLICATION
 © COPYRIGHT BY TYCO ELECTRONICS CORPORATION. ALL RIGHTS RESERVED.

LOC	DIST	REVISIONS					
J	—	P	LTR	DESCRIPTION	DATE	DWN	APVD
		—		SEE SHEET 1	—	—	—



PACKING TYPE : TRAY ASSY
 AS SHOWN : -1

TRAY ASSY LAYOUT

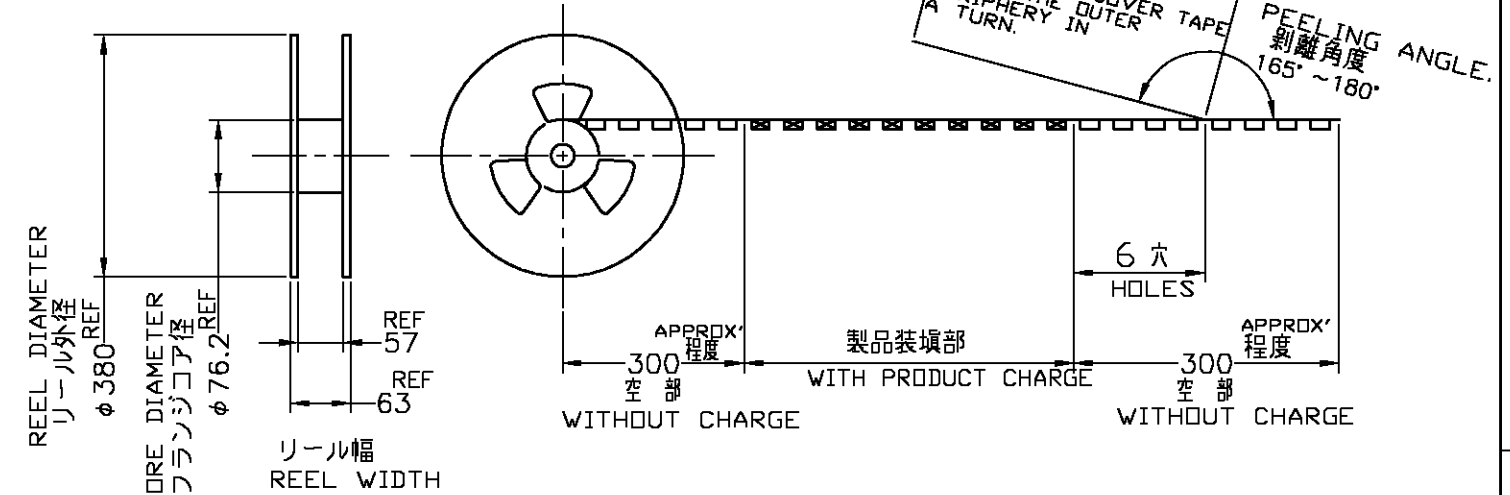
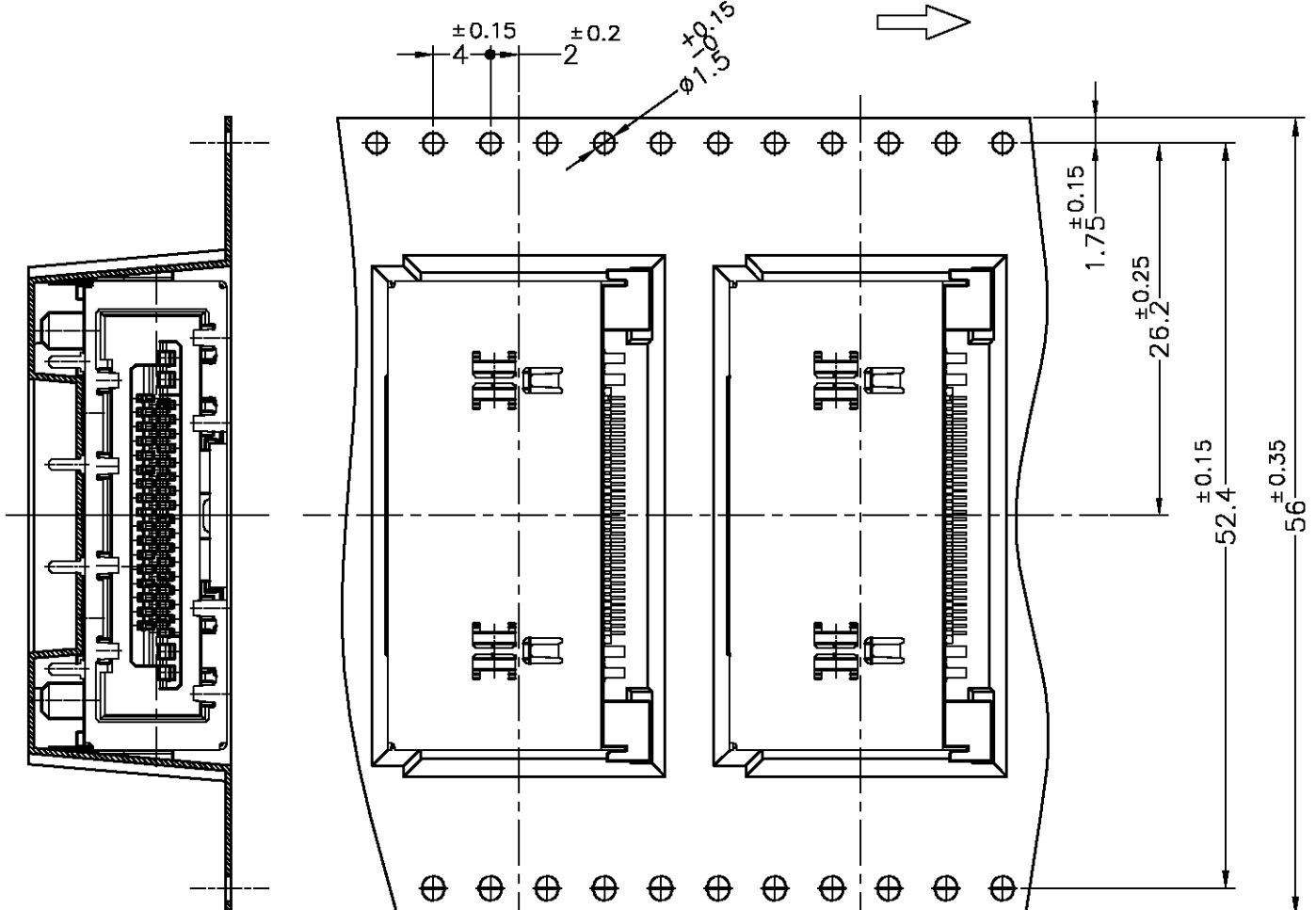
36 PCS/TRAY
 QTY

THIS DRAWING IS A CONTROLLED DOCUMENT.		DWN	tyco Tyco Electronics AMP K.K.	
DIMENSIONS: 單位: 耗 MM		CHK	Kawasaki, Japan	
TOLERANCES UNLESS OTHERWISE SPECIFIED: 一般公差		APVD	NAME 名称	
0 PLC ± -		PRODUCT SPEC 製品規格	HEADER	
1 PLC ± -		APPLICATION SPEC 取付適用規格	1MM GIGA I/O CONN.	
2 PLC ± -		WEIGHT	SIZE	CAGE CODE
3 PLC ± -		CUSTOMER DRAWING	A3	00779
4 PLC ± -			DRAWING NO 番号	C-6376818
ANGLES ± -		RESTRICTED TO	—	
FINISH 仕上		SCALE 尺度	NON	SHEET 3 of 4
MATERIAL 材料		REV	0	

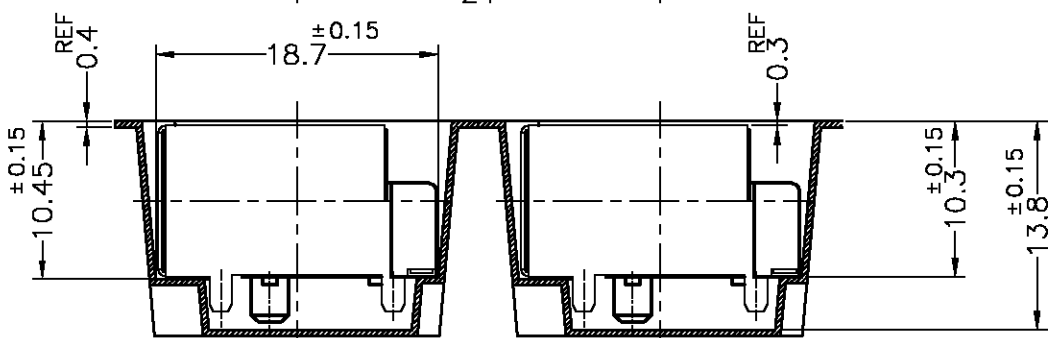
THIS DRAWING IS UNPUBLISHED. RELEASED FOR PUBLICATION
 © COPYRIGHT BY TYCO ELECTRONICS CORPORATION. ALL RIGHTS RESERVED.

LOC	DIST	REVISIONS					
J	-	P	LTR	DESCRIPTION	DATE	DWN	APVD
		-		SEE SHEET 1	-	-	-

リール引出し方向
 USER DIRECTION OF UNREELIN



PACKING TYPE : EMBOSS ASSY
 AS SHOWN : 1 - - 1



EMBOSS ASSY LAYOUT

250 PCS/REEL
 QTY

THIS DRAWING IS A CONTROLLED DOCUMENT.		DWN	tyco Tyco Electronics AMP K.K. Kawasaki, Japan	
DIMENSIONS: 単位: 耗 MM		CHK	NAME 名称	
TOLERANCES UNLESS OTHERWISE SPECIFIED: 一般公差		APVD	HEADER 1MM GIGA I/O CONN. LEAD-FREE	
0 PLC $\pm -$		PRODUCT SPEC 製品規格	SIZE	CAGE CODE
1 PLC $\pm -$		APPLICATION SPEC 取付適用規格	A3	00779
2 PLC $\pm -$		WEIGHT	DRAWING NO 番号	RESTRICTED TO
3 PLC $\pm -$		CUSTOMER DRAWING	C-6376818	-
4 PLC $\pm -$		SCALE 尺度	NON	SHEET 4 OF 4
ANGLES $\pm -$		REV	0	
FINISH 仕上				
MATERIAL 材料				