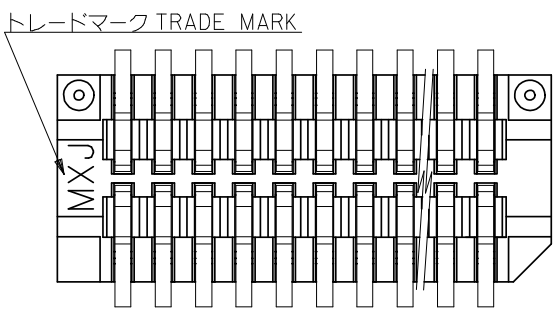
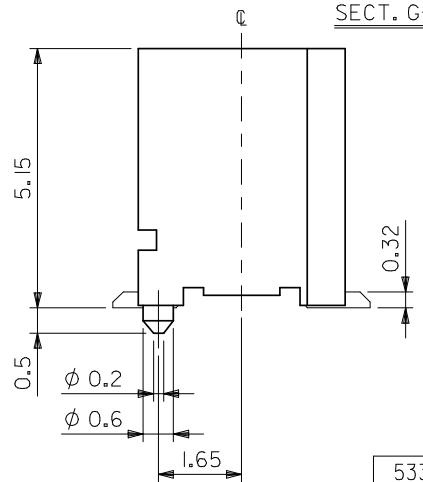
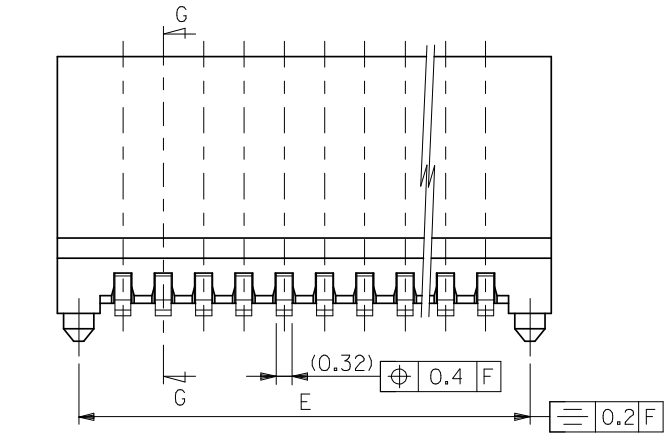


注記 NOTES

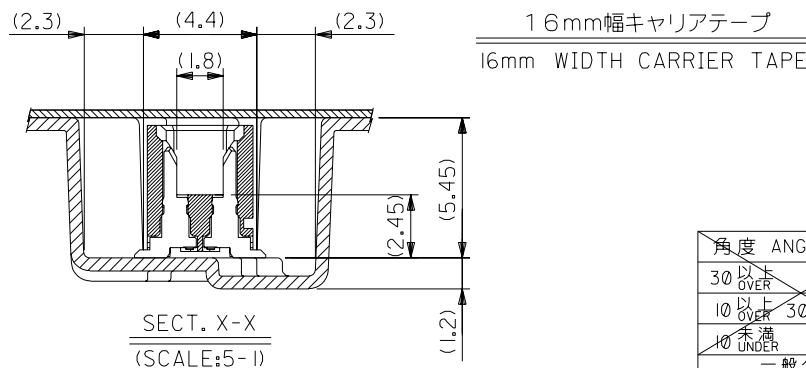
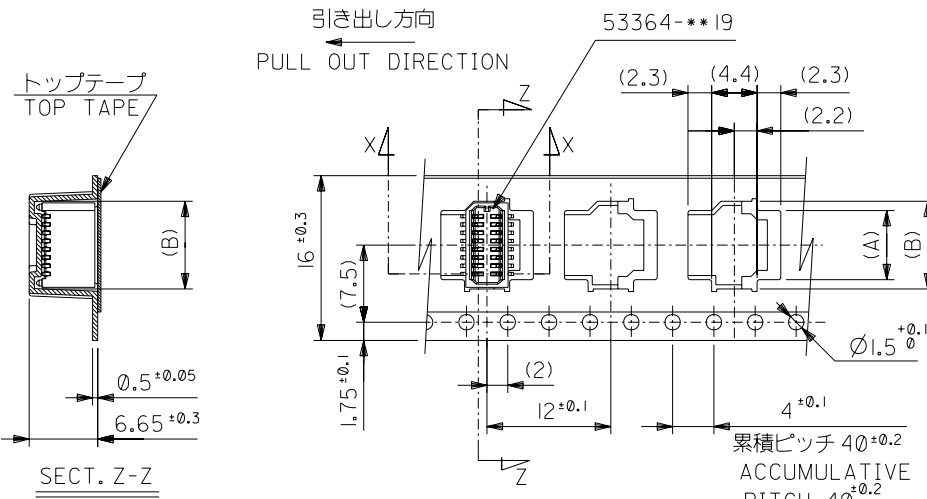
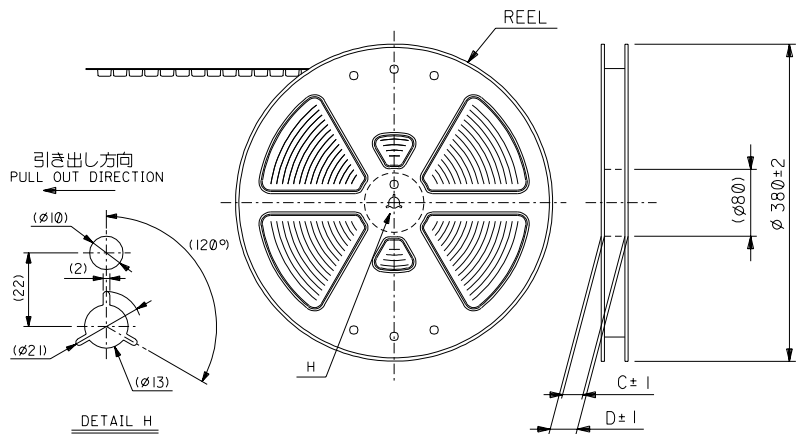
1. 嵌合相手 : 52465 シリーズ  
MATES WITH : 52465 SERIES
2. ウェハーの  $\phi$  から隣接するピンの  $\phi$  迄の位置を示す。  
SHOW POSITION FROM  $\phi$  OF WAFER TO  $\phi$  OF ADJACENT PINS.
3. 本製品は 53364-\*\*17 の鉛フリー品である。  
THIS PRODUCT IS LEAD FREE OF 53364-\*\*17



|            |   |   |   |   |   |              |    |      |
|------------|---|---|---|---|---|--------------|----|------|
| 53364-**19 | E | D | C | B | A | MATERIAL NO. | 極数 | CKT. |
| MODEL NO.  |   |   |   |   |   |              |    |      |

|      |     |      |      |      |            |    |
|------|-----|------|------|------|------------|----|
| 17.0 | 0.4 | 17.8 | 16.9 | 15.2 | 53364-4019 | 40 |
| 15.4 | 0.4 | 16.2 | 15.3 | 13.6 | 53364-3619 | 36 |
| 13.0 | 0.8 | 13.8 | 12.9 | 11.2 | 53364-3019 | 30 |
| 12.2 | 0.4 | 13.0 | 12.1 | 10.4 | 53364-2819 | 28 |
| 9.0  | 0.4 | 9.8  | 8.9  | 7.2  | 53364-2019 | 20 |
| 8.2  | 0.8 | 9.0  | 8.1  | 6.4  | 53364-1819 | 18 |
| 5.8  | 0.4 | 6.6  | 5.7  | 4.0  | 53364-1219 | 12 |
| 5.0  | 0.8 | 5.8  | 4.9  | 3.2  | 53364-1019 | 10 |

|   |  |  |                  |                        |              |   |
|---|--|--|------------------|------------------------|--------------|---|
| REVISED<br>EC NO: J2008-3931<br>DRWN: MAKURAA 2008/05/26<br>CHKD: T. HARIYAMA 2008/05/26<br>APPR: NUKITA 2008/08/21 | GENERAL TOLERANCES (UNLESS SPECIFIED)                |  | DIMENSION STYLE  | SCALE                  | DESIGN UNITS | TITLE<br>0.8 BOARD TO BOARD CONN.<br>WAFER ASS ST.SMT<br>-LEAD FREE-<br>MOLEX INCORPORATED<br>DOCUMENT NO. SD-53364-001<br>SHEET NO. 1 OF 1 |
|   | 10 UNDER ±0.2  |  | MM ONLY          | ---                    | METRIC       |   |
|   | 10 OVER 30 UNDER ±0.25                               |  | DRAWN BY DATE    | THIRD ANGLE PROJECTION |              |   |
|   | 30 OVER ±0.3   |  | M. NABEI         |                        |              |   |
| A   | ANGULAR ±3 °   |  | CHECKED BY DATE  |                        |              | SEE TABLE<br>THIS DRAWING CONTAINS INFORMATION THAT IS PROPRIETARY TO MOLEX INCORPORATED AND SHOULD NOT BE USED WITHOUT WRITTEN PERMISSION  |
|   | DRAFT WHERE APPLICABLE MUST REMAIN WITHIN DIMENSIONS |  | M. TOJO          |                        |              |   |
|   |  |  | APPROVED BY DATE |                        |              |   |
|   |  |  | M. SASAO         |                        |              |   |

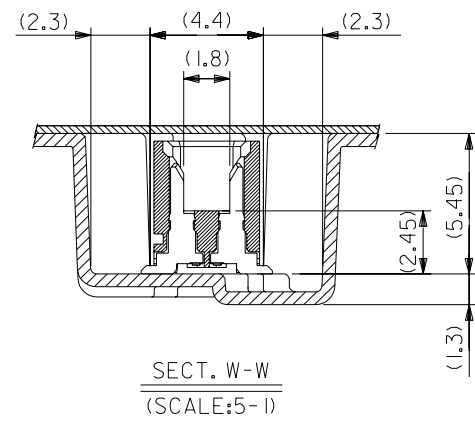
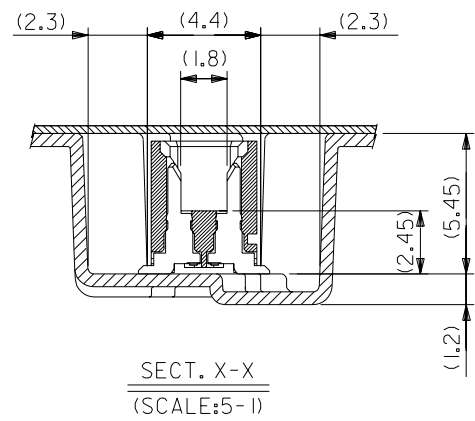
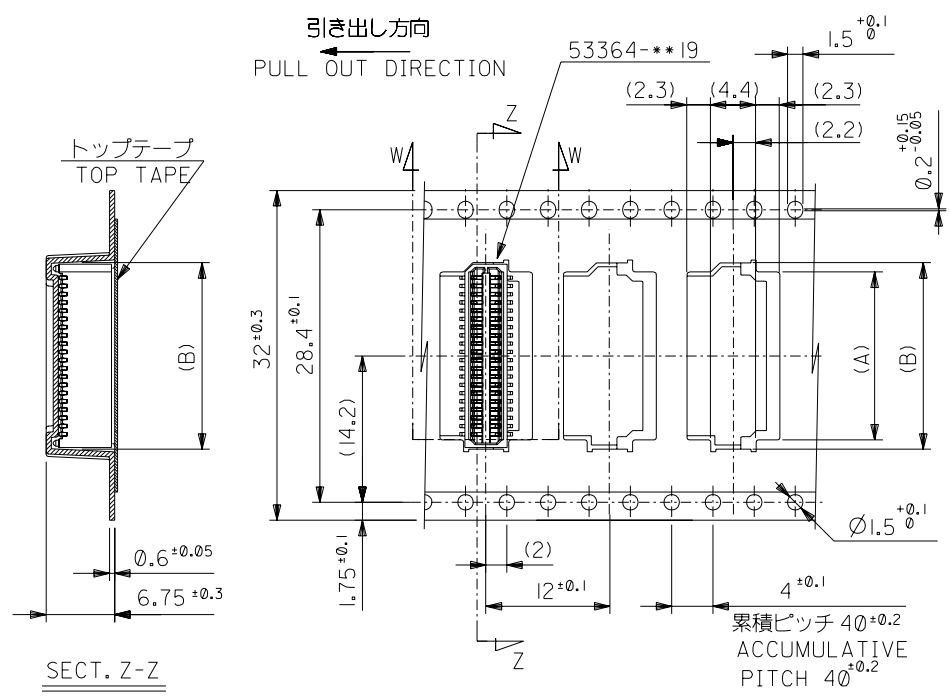
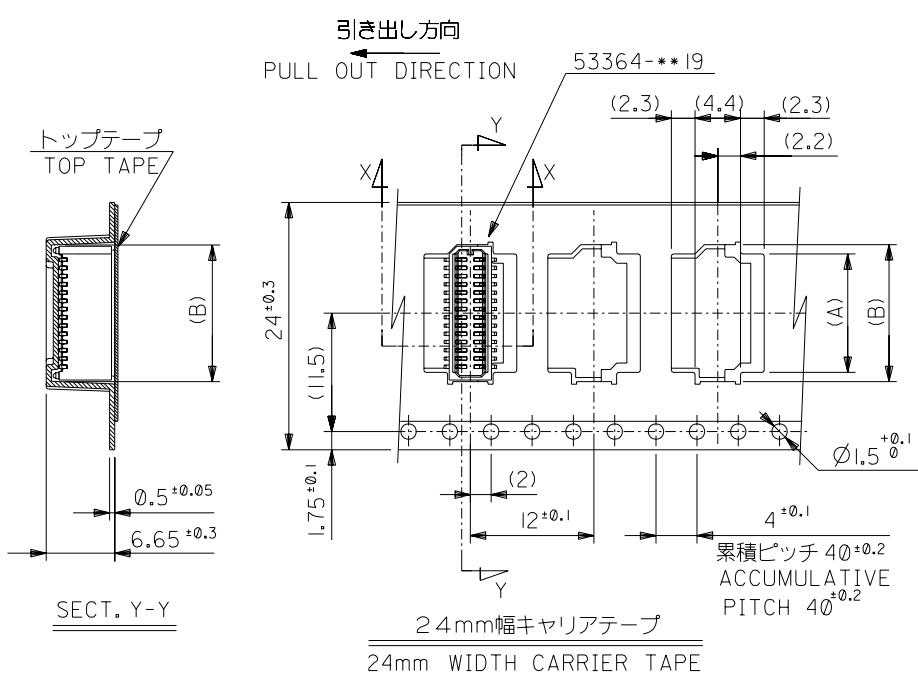


注記 NOTES

- 梱包数量：1000個/リール NUMBER OF CONNECTORS:1000PCS/REEL
- リードテープ長さ LEAD TAPE LENGTH  
 トップテープ TOP TAPE      トップテープ TOP TAPE  
 リーダー部 LEADER PART      未接着部 NON-BONDED PART  
 175 ±25      25 ±5  
 引き出し方向 PULL OUT DIRECTION  
 リーダー部 (空部) LEADER PART (EMPTY) 120 ±20  
 部品挿入部 COMPONENT SUPPLIER  
 末端部 (空部) TAIL PART (EMPTY) 150 ±40  
 引き出し方向 PULL OUT DIRECTION
- トップテープの剥離強度：(剥離方向は下図参照)  
 0.1~1.3N (10~130gf) 尚、本規格値は、出荷時に適用。  
 (但し、輸送時に剥離が発生しない事。)  
 PEELING OFF FORCE OF TOP TAPE  
 0.1~1.3N (10~130gf) (PEELING DIRECTION AS SHOWN IN FOLLOWING FIG.)  
 THIS REQUIREMENT SHOULD BE APPLIED AT SHIPMENT  
 PEEL OFF SHOULD NOT BE ALLOWED,  
 DURING TRANSPORTATION  
 引き出し方向 PULL OUT DIRECTION      剥離方向 PEEL OFF DIRECTION  
 10°
- 材料 MATERIAL  
 キャリアテープ:ポリプロピレン (PP) CARRIER TAPE:POLYPROPYLENE  
 トップテープ:PET, PE, PEF TOP TAPE:PET,PE,PEF  
 リール:ポリスチレン (PS) REEL:POLYSTYRENE(PS)  
 <リサイクル材を含む> <RECYCLE MATERIAL CONTAINED>
- 本製品は 53364-\*\*\*90 の鉛フリー品である。  
 THIS PRODUCT IS LEAD FREE OF 53364-\*\*\*90

|                          |                                |    |                               |      |     |     |   |               |
|--------------------------|--------------------------------|----|-------------------------------|------|-----|-----|---|---------------|
| 53364-***70<br>MODEL NO. | キャリアテープ幅<br>CARRIER TAPE WIDTH | 16 | 21.4                          | 17.4 | 9.3 | 7.5 | 53364-1870  | 18            |
|                          |                                |    |                               |      | 6.9 | 5.1 | 53364-1270  | 12            |
|                          |                                |    |                               |      | 6.1 | 4.3 | 53364-1070  | 10            |
|                          |                                |    | D                             | C    | (B) | (A) | MATERIAL NO.  | 極数<br>CIRCUIT |
|                          |                                |    | 材料 MATERIAL 注記参照<br>SEE NOTES |      |     |     | molex MOLEX-JAPAN CO.,LTD.<br>日本モレックス株式会社                             |               |
|                          |                                |    | 仕上げ FINISH —#—                |      |     |     | REVISE ONLY ON CAD SYSTEM   |               |
|                          |                                |    | 適用電線範囲 WIRE RANGE —#—         |      |     |     | TITLE 名称  |               |
|                          |                                |    | 被覆外径 INS. RANGE —#—           |      |     |     | 0.8 BtB Conn Wafer Assy<br>ST SMT With Boss<br>Embstp Pkg -LEAD FREE- |               |
|                          |                                |    |                               |      |     |     | DWG. NO. (SHEET 1 OF 2)   | REV           |
|                          |                                |    |                               |      |     |     | SD-53364-002  | 0             |

|                         |       |
|-------------------------|-------|
| 角度 ANGLE                | ±3°   |
| 30 以上 OVER              | ±0.3  |
| 10 以上 30 未満 UNDER       | ±0.25 |
| 10 未満 UNDER             | ±0.2  |
| 一般公差 GENERAL TOLERANCES |       |

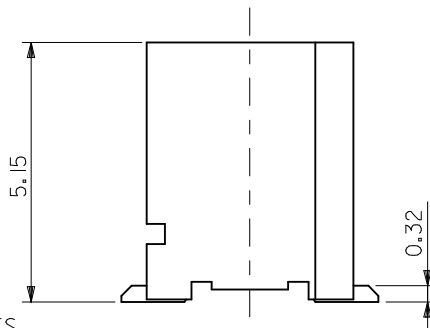
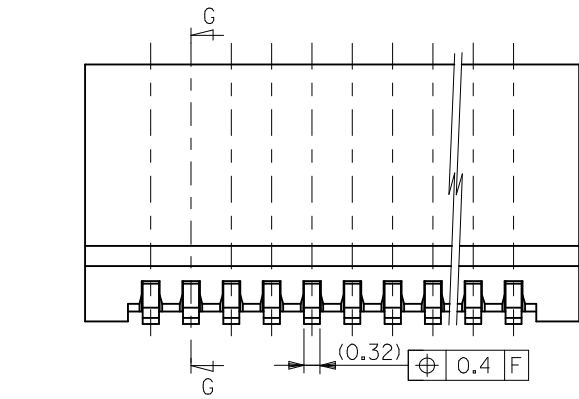
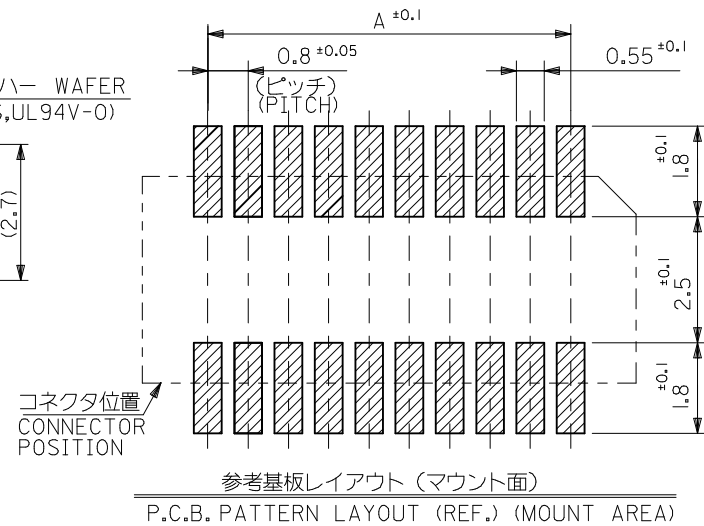
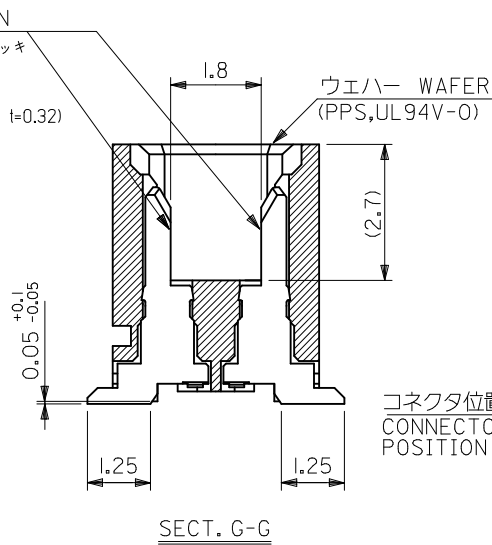
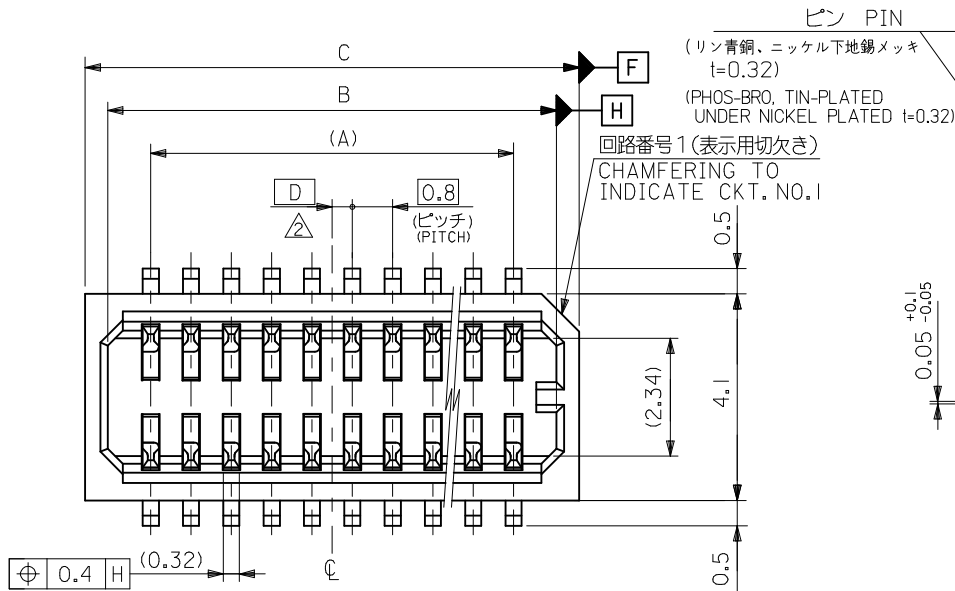


|    |      |      |      |      |            |    |
|----|------|------|------|------|------------|----|
| 32 | 37.4 | 33.4 | 18.1 | 16.3 | 53364-4070 | 40 |
| 24 | 29.4 | 25.4 | 16.5 | 14.7 | 53364-3670 | 36 |
|    |      |      | 14.1 | 12.3 | 53364-3070 | 30 |
|    |      |      | 13.3 | 11.5 | 53364-2870 | 28 |
|    |      |      | 10.1 | 8.3  | 53364-2070 | 20 |

|             |                    |                       |          |          |                             |              |   |
|-------------|--------------------|-----------------------|----------|----------|-----------------------------|--------------|---|
| 53364-***70 | キャリアテープ幅           | D                     | C        | (B)      | (A)                         | MATERIAL NO. | 極数  |
| MODEL NO.   | CARRIER TAPE WIDTH |                       |          |          |                             |              | CIRCUIT   |
|             | 材料                 | MATERIAL              |          |          |                             |              | molex MOLEX-JAPAN CO.,LTD.<br>日本モレックス株式会社                             |
|             | SHEET 1 OF 2 参照    | REFER TO SHEET 1 OF 2 |          |          |                             |              |   |
|             | 仕上げ                | FINISH                |          |          |                             |              | REVISION RECORD   |
|             | 適用電線範囲             | WIRE RANGE            |          |          |                             |              | TITLE 名称  |
|             | 被覆外径               | INS. RANGE            |          |          |                             |              | 0.8 BtB Conn Wafer Assy<br>ST SMT With Boss<br>Embstp Pkg -LEAD FREE- |
|             | DRAWN BY           | 04/03/09              | CHK'D BY | 04/03/09 | DWG. NO. (SHEET 2 OF 2) REV |              |   |
|             | M.NABEI            |                       | K.TOJO   |          | SD-53364-002                | 0            |   |
|             | APP'D BY           | 04/03/09              | 尺度       | SCALE    |                             |              |   |
|             | M.SASAO            |                       |          |          |                             |              |   |

|                            |       |       |
|----------------------------|-------|-------|
| 角度                         | ANGLE | ±30   |
| 30以上                       | OVER  | ±0.3  |
| 10以上                       | 未満    | ±0.25 |
| 10以下                       | 30以下  | ±0.2  |
| 未満                         | 10以下  | ±0.2  |
| 一般公差<br>GENERAL TOLERANCES |       |       |

10 9 8 7 6 5 4 3 2 1

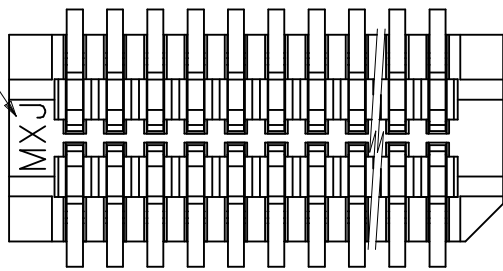


注記 NOTES

- 嵌合相手 : 52465,52588 シリーズ  
MATES WITH : 52465,52588 SERIES
- ウェハーの  $\phi$  から隣接するピンの  $\phi$  迄の位置を示す。  
SHOW POSITION FROM  $\phi$  OF WAFER TO  $\phi$  OF ADJACENT PINS.
- 本製品は 53364-\*\*-27 の鉛フリー品である。  
THIS PRODUCT IS LEAD FREE OF 53364-\*\*-27.

|     |      |      |      |               |         |
|-----|------|------|------|---------------|---------|
| 0.4 | 16.2 | 15.3 | 13.6 | 53364-3629    | 36      |
| 0.8 | 13.8 | 12.9 | 11.2 | 53364-3029    | 30      |
| 0.4 | 9.8  | 8.9  | 7.2  | 53364-2029    | 20      |
| 0.8 | 9.0  | 8.1  | 6.4  | 53364-1829    | 18      |
| D   | C    | B    | A    | MATERIAL. NO. | 極数 CKT. |

トレードマーク TRADE MARK



|   |   |  |   |                            |                         |                   |  |                        |  |                        |  |
|---|---|--|---|----------------------------|-------------------------|-------------------|--|------------------------|--|------------------------|--|
| REVISED<br>EC NO: J2016-1237<br>DRWN: MISHIKAWA<br>CHKD: Y0110<br>APPR: Y0110 | DESCRIPTION<br>2016/06/07<br>2016/06/07<br>2016/06/16 | GENERAL TOLERANCES (UNLESS SPECIFIED)                |   | DIMENSION STYLE<br>MM ONLY |                         | SCALE<br>10:1     |  | DESIGN UNITS<br>METRIC |  | THIRD ANGLE PROJECTION |  |
|   |   | 0.25 UNDER   | UNDER   | ±0.2                       | DRAWN BY<br>M. NABEI    | DATE<br>'04/03/09 | TITLE<br>0.8 BOARD TO BOARD CONN.<br>WAFFER ASSY ST.SMT<br>-LEAD FREE- |                        |  |                        |  |
|   |   | 0.25 OVER  | 0.5 UNDER   | ±0.2                       | CHECKED BY<br>K. TOJO   | DATE<br>'04/03/09 |  |                        |  |                        |  |
|   |   | 0.5 OVER   | 1.0 UNDER   | ±0.2                       | APPROVED BY<br>M. SASAO | DATE<br>'04/03/09 |  |                        |  |                        |  |
| 1.0 OVER  | 10 UNDER  | ±---   | MATERIAL NO.  |                            | DOCUMENT NO.            |                   | SHEET NO.  |                        |  |                        |  |
| 10 OVER   | 30 UNDER  | ±---   | SEE CHART   |                            | SD-53364-003            |                   | 1 OF 2   |                        |  |                        |  |
| 30 OVER   |   | ±---   | THIS DRAWING CONTAINS INFORMATION THAT IS PROPRIETARY TO MOLEX ELECTRONIC TECHNOLOGIES, LLC AND SHOULD NOT BE USED WITHOUT WRITTEN PERMISSION |                            |                         |                   |  |                        |  |                        |  |
| ANGULAR ±1 °  |   | DRAFT WHERE APPLICABLE MUST REMAIN WITHIN DIMENSIONS |   | SIZE<br>A3                 |                         |                   |  |                        |  |                        |  |

9 8 7 6 5 4 3 2 1