

QT-Brightek PLCC-4 Series

PLCC-4 Yellow LED

Part No.: QBLP677-Y

Table of Contents:

Introduction	3
Electrical / Optical Characteristic (Ta=25 °C)	4
Absolute Maximum Rating	4
Characteristic Curves.....	5
Solder Profile & Footprint.....	6
Packing	7
Labeling	8
Ordering Information	8
Revision History	9
Disclaimer	9

Introduction

Feature:

- Water Clear lens
- Ultra bright PLCC4 Yellow LED
- Straight line chip mount technology
- AlInGaP technology for Yellow
- 120 degree viewing angle

Description:

This PLCC4 Yellow LEDs have a height profile of 1.90mm. Combination of high brightness output and robust package, this LED is ideal for architecture lighting, status indication, and color mixing applications.

Application:

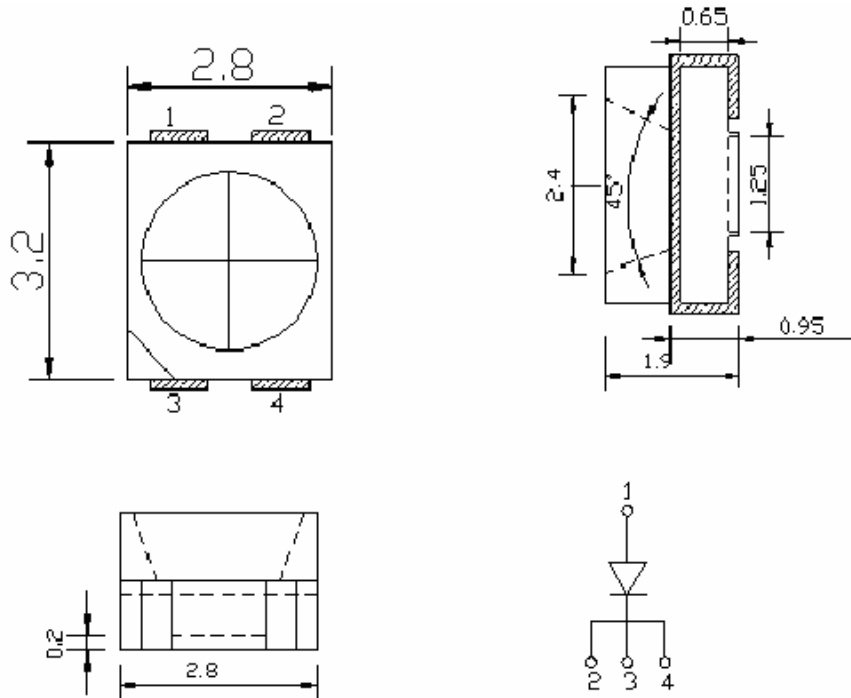
- Status indication
- Industrial equipment backlighting
- Architecture lighting

Certification & Compliance:

- TS16949
- ISO9001
- RoHS Compliant



Dimension:



Units: mm / tolerance = +/-0.1mm

Electrical / Optical Characteristic (Ta=25 °C)

Product	Color	I _F (mA)	V _F (V)		λ _D (nm)			I _V (mcd)	
			Typ.	Max.	Min.	Typ.	Max.	Min.	Typ.
QBLP677-Y	Yellow	20	2.0	2.4	582	588	594	600	780

Absolute Maximum Rating

Material	P _d (mW)	I _F (mA)	I _{FP} (mA)*	V _R (V)	T _{OP} (°C)	T _{ST} (°C)	T _{SOL} (°C)**
AllnGaP	120	50	100	5	-40 ~ +100	-40 ~ + 100	260

*Duty 1/10 @ 10KHz

**IR Reflow for no more than 10 sec @ 260 °C

Forward Voltage V_F @ I_F=20mA

Bin	Min.	Max.	Unit
C	1.9	2.0	V
D	2.0	2.1	
E	2.1	2.2	
F	2.2	2.3	
G	2.3	2.4	

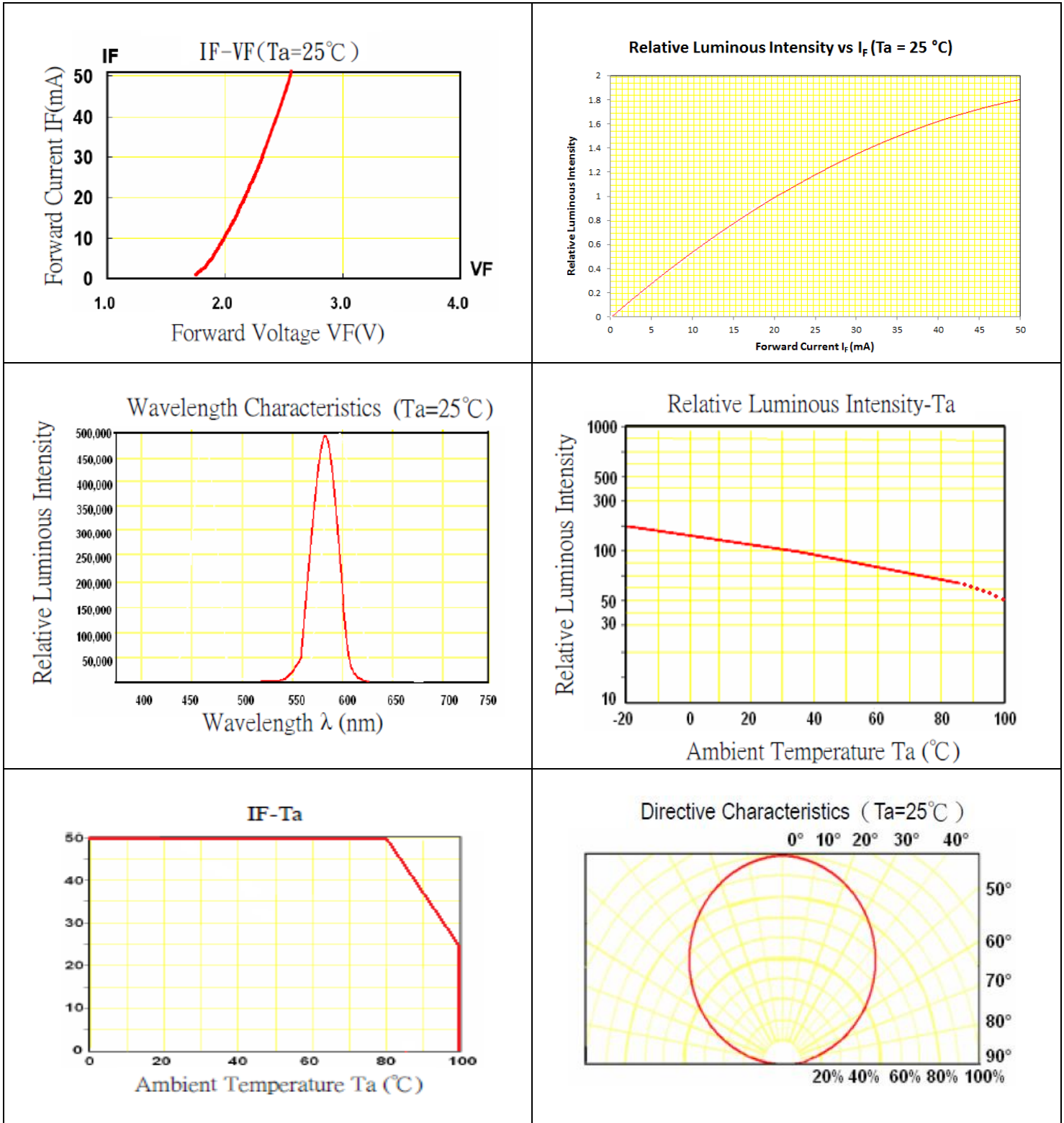
Luminous Intensity I_V @ I_F=20mA

Bin	Min.	Max.	Unit
13	600	780	mcd
14	780	1000	
15	1000	1300	

Dominant Wavelength λ_D @ I_F=20mA

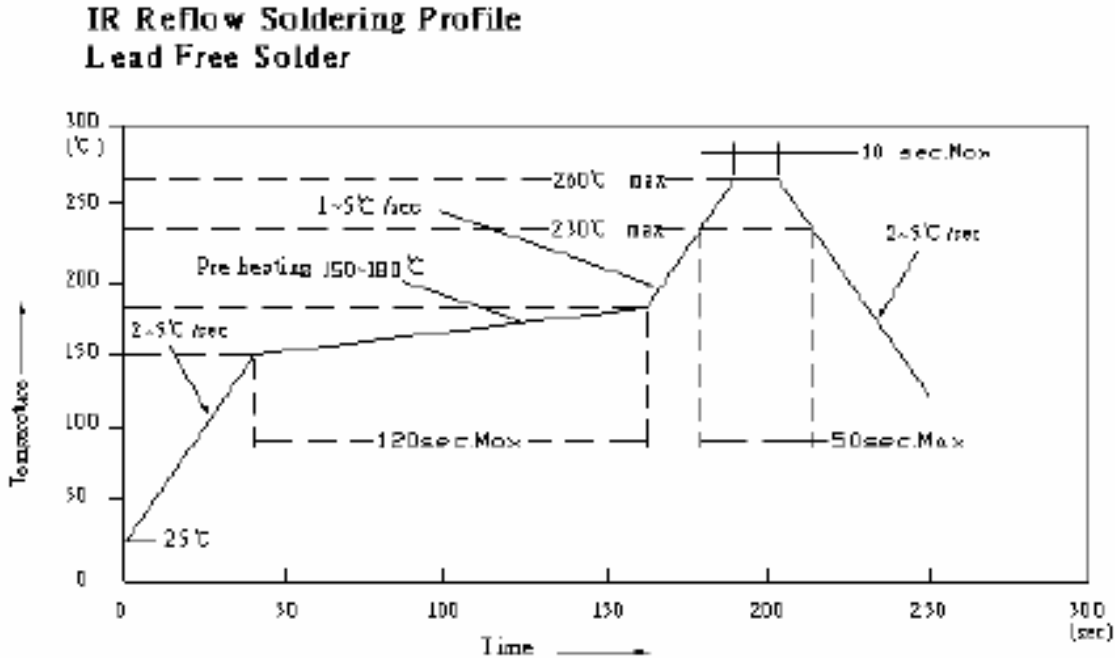
Bin	Min.	Max.	Unit
B	582	585	nm
C	585	588	
D	588	591	
E	591	594	

Characteristic Curves

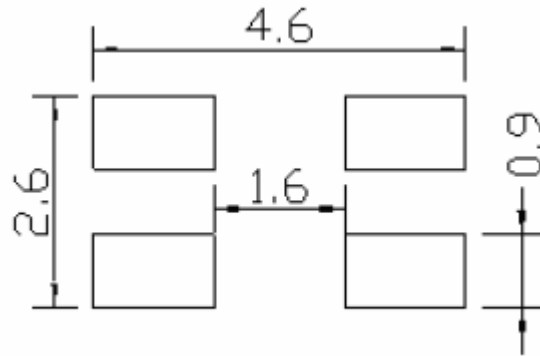


Solder Profile & Footprint

- Recommended tin solder specifications: melting temperature in the range of 178~192 °C
- The recommended reflow soldering profile is as follows (temperatures indicated are as measured on the surface of the LED resin):



Proposed Solder Footprint

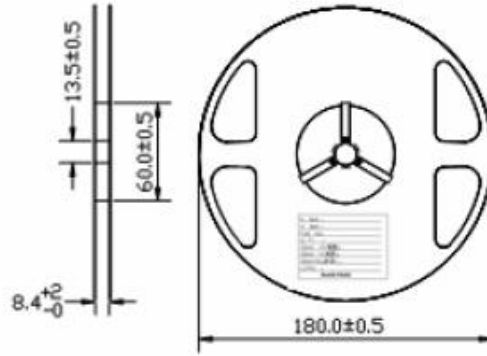


Units: mm

tolerance: +/- 0.1mm

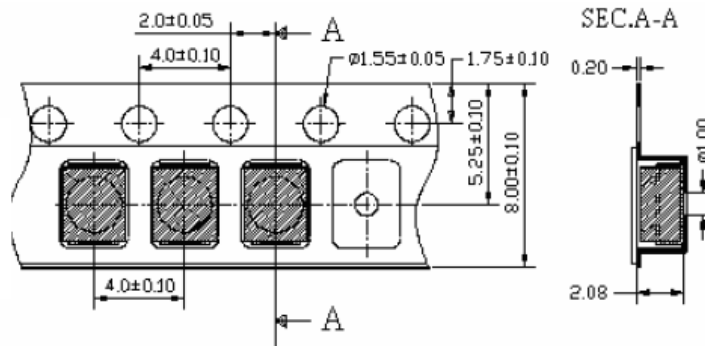
Packing

Reel Dimension:



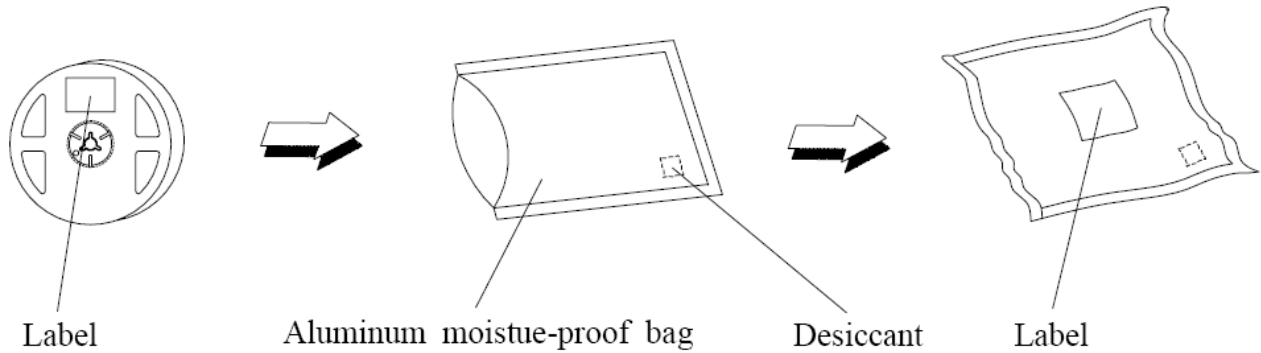
Unit: mm

Tape Dimension:



Unit: mm

Packaging Specification:



Product: QBLP677-Y	Date: March 28, 2014	Page 7 of 9
	Version# 1.0	

Labeling

Part No: _____
 Customer P/N: _____
 Item: _____
 Q'ty: _____
 Vf: _____
 Iv: _____
 VI: _____
 Date: _____

Made in China**Ordering Information**

Part #	Orderable Part #	Spec Range	Quantity per reel
QBLP677-Y	QBLP677-Y-1888	Iv=1000mcd Typ. @ I _F =20mA / Color: 582~594nm	2,000 units

Product: QBLP677-Y	Date: March 28, 2014	Page 8 of 9
	Version# 1.0	

Revision History

Description:	Revision #	Revision Date
New Release of QBLP677-Y	V1.0	03/28/2014

Disclaimer

QT-BRIGHTTEK reserves the right to make changes without further notice to any products herein to improve reliability, function or design. QT-BRIGHTTEK does not assume any liability arising out of the application or use of any product or circuit described herein; neither does it convey any license under its patent rights, nor the rights of others.

Life Support Policy

QT-BRIGHTTEK's products are not authorized for use as critical components in life support devices or systems without the express written approval of QT-BRIGHTTEK. As used herein:

1. Life support devices or systems are devices or systems which, (a) are intended for surgical implant into the body, or (b) support or sustain life, and (c) whose failure to perform when properly used in accordance with instructions for use provided in the labeling, can be reasonably expected to result in a significant injury of the user.
2. A critical component in any component of a life support device or system whose failure to perform can be reasonably expected to cause the failure of the life support device or system, or to affect its safety or effectiveness.

Product: QBLP677-Y	Date: March 28, 2014	Page 9 of 9
	Version# 1.0	