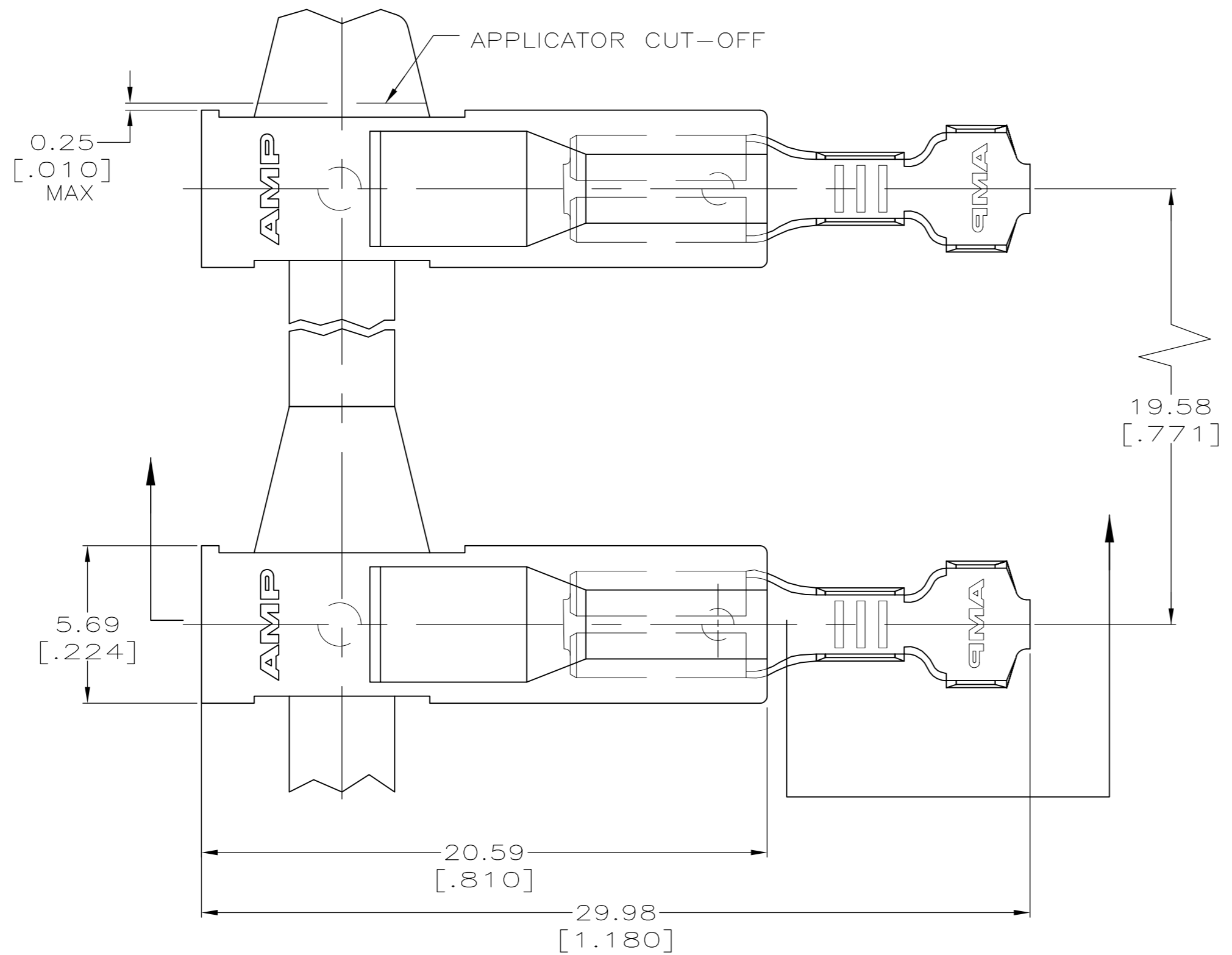
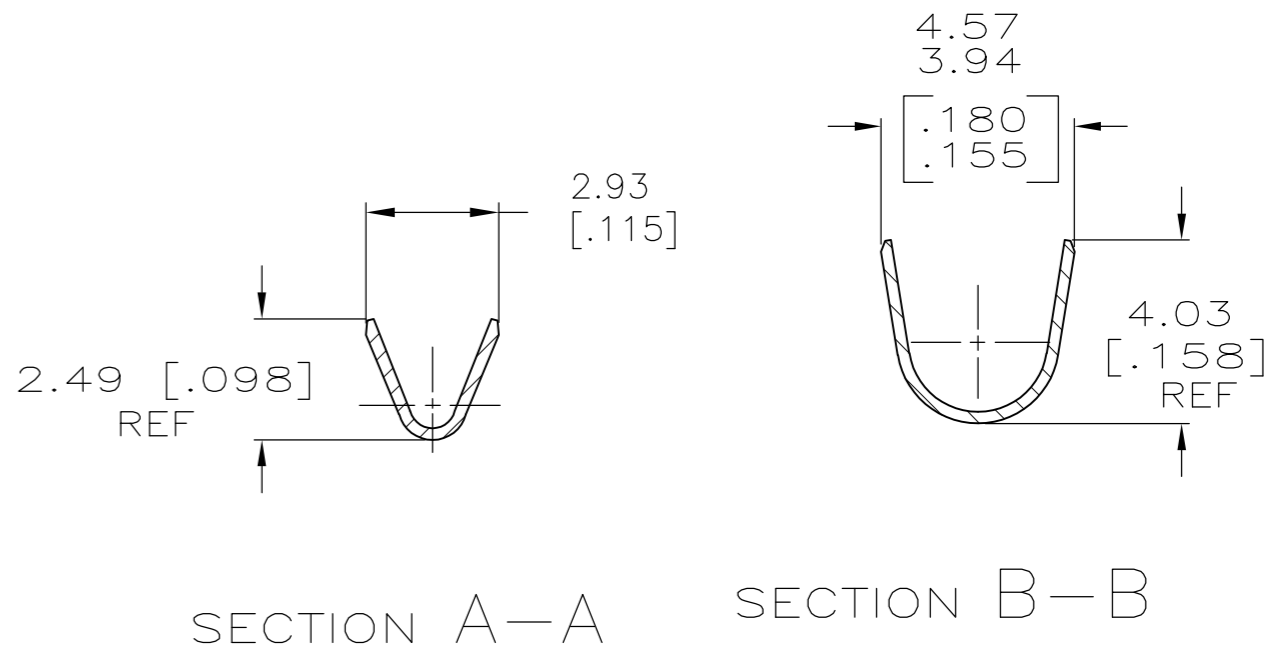
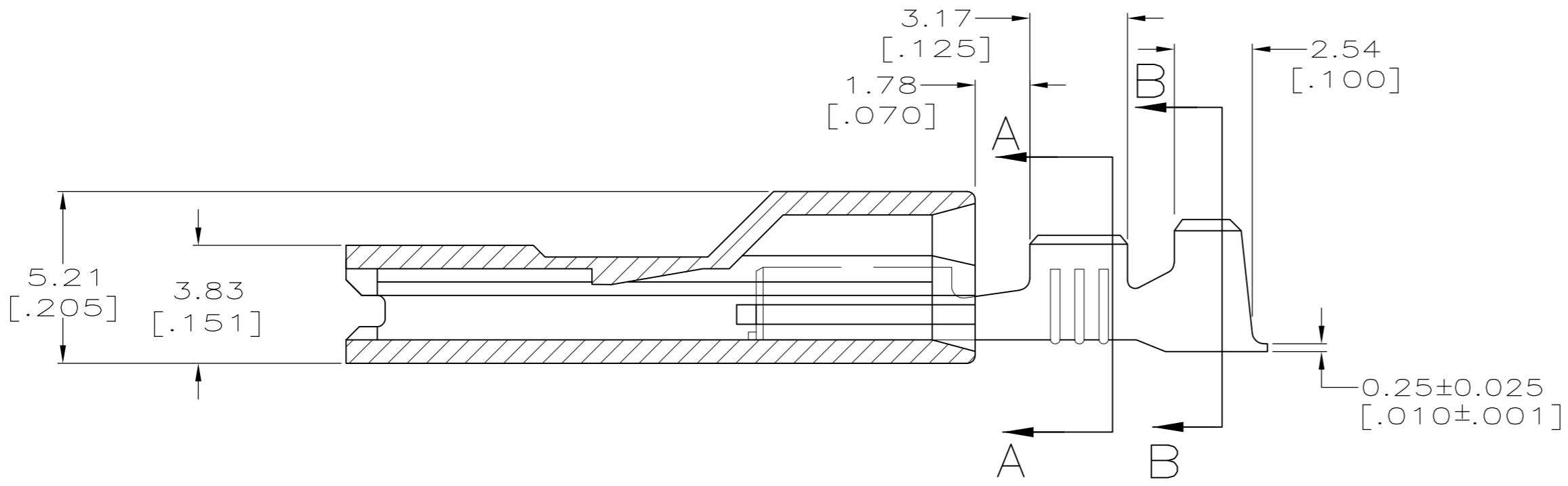


THIS DRAWING IS UNPUBLISHED. RELEASED FOR PUBLICATION
 © COPYRIGHT - By - ALL RIGHTS RESERVED.

LOC		DIST		REVISIONS			
P	LTR	DESCRIPTION		DATE	DWN	APVD	
AF	50	G		REVISED PER ECR-12-013219	08JAN13	KH	KR



- 1 MATING TAB THK IS 0.51±0.025 [.020±.001].
- 2 WIRE SIZE IS [#22-#18] AWG.
- 3 INSULATION RANGE IS 2.03-3.05 [.080-.120] DIA.
- 4 MATERIAL, TERMINAL - BRASS
HOUSING - 6/6 NYLON
- 5 FINISH, TERMINAL - SEE TABLE
HOUSING - NATURAL



0.002032 [.000080] MIN TIN		521228-2	
-		521228-1	
TERMINAL FINISH 5		PART NO.	
DWN JR RUTH 03NOV99		STE TE Connectivity	
CHK MS FEHER 03NOV99			
APVD D BRATINA 03NOV99		NAME	
PRODUCT SPEC 108-1285		ASSEMBLY, RECEPTACLE, ULTRA-POD, 2.79 [.110] SERIES	
APPLICATION SPEC 114-2124		SIZE A2	RESTRICTED TO -
MATERIAL 4		CAGE CODE 00779	DRAWING NO. C=521228
FINISH 5		WEIGHT -	SCALE 6:1
CUSTOMER DRAWING		SHEET 1 of 1	REV G

THIS DRAWING IS A CONTROLLED DOCUMENT.	
DIMENSIONS: mm [INCHES]	TOLERANCES UNLESS OTHERWISE SPECIFIED:
	0 PLC ± -
	1 PLC ± -
	2 PLC ± 0.25 [.010]
	3 PLC ± -
	4 PLC ± -
	ANGLES ± -
	FINISH 5