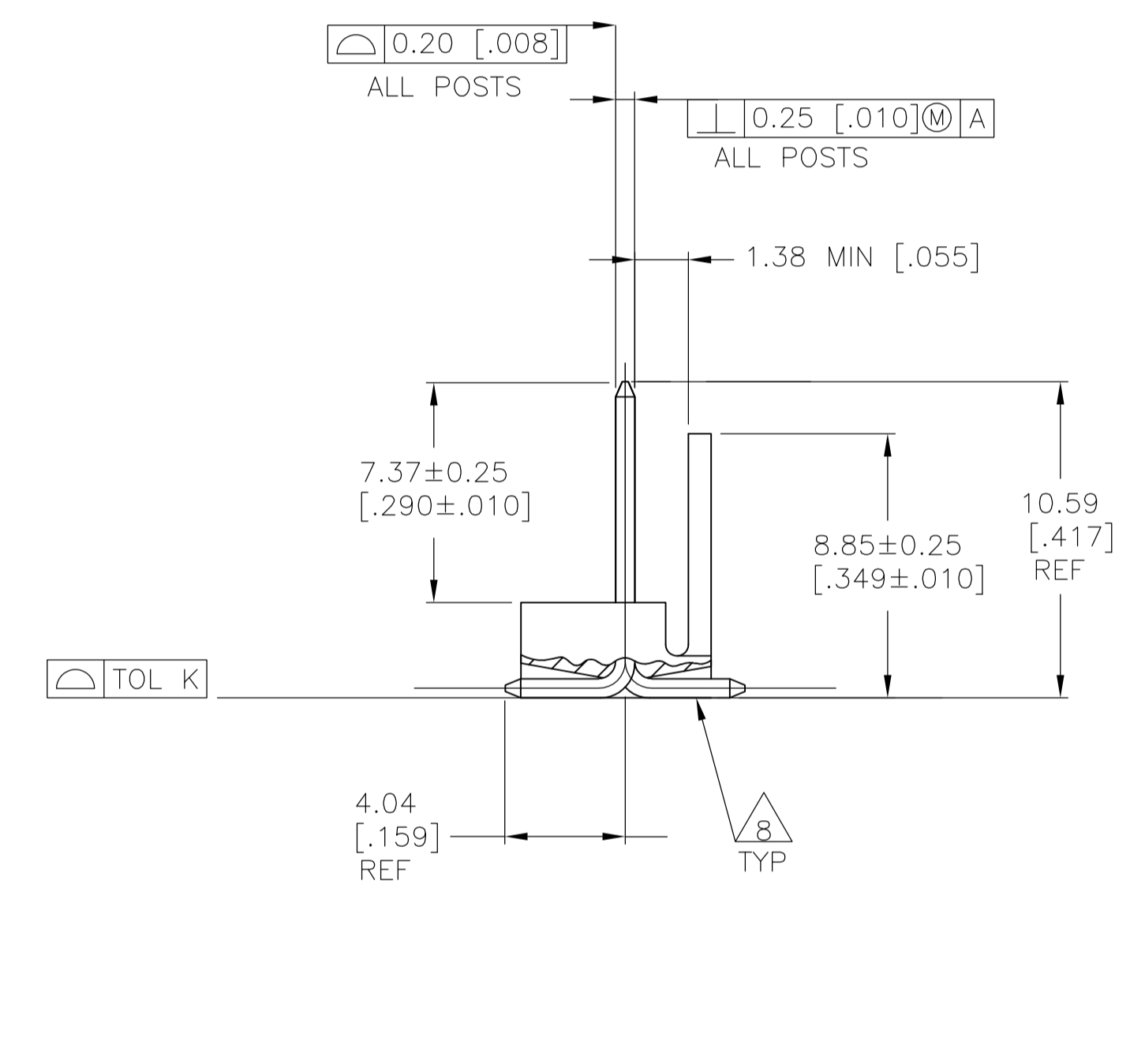
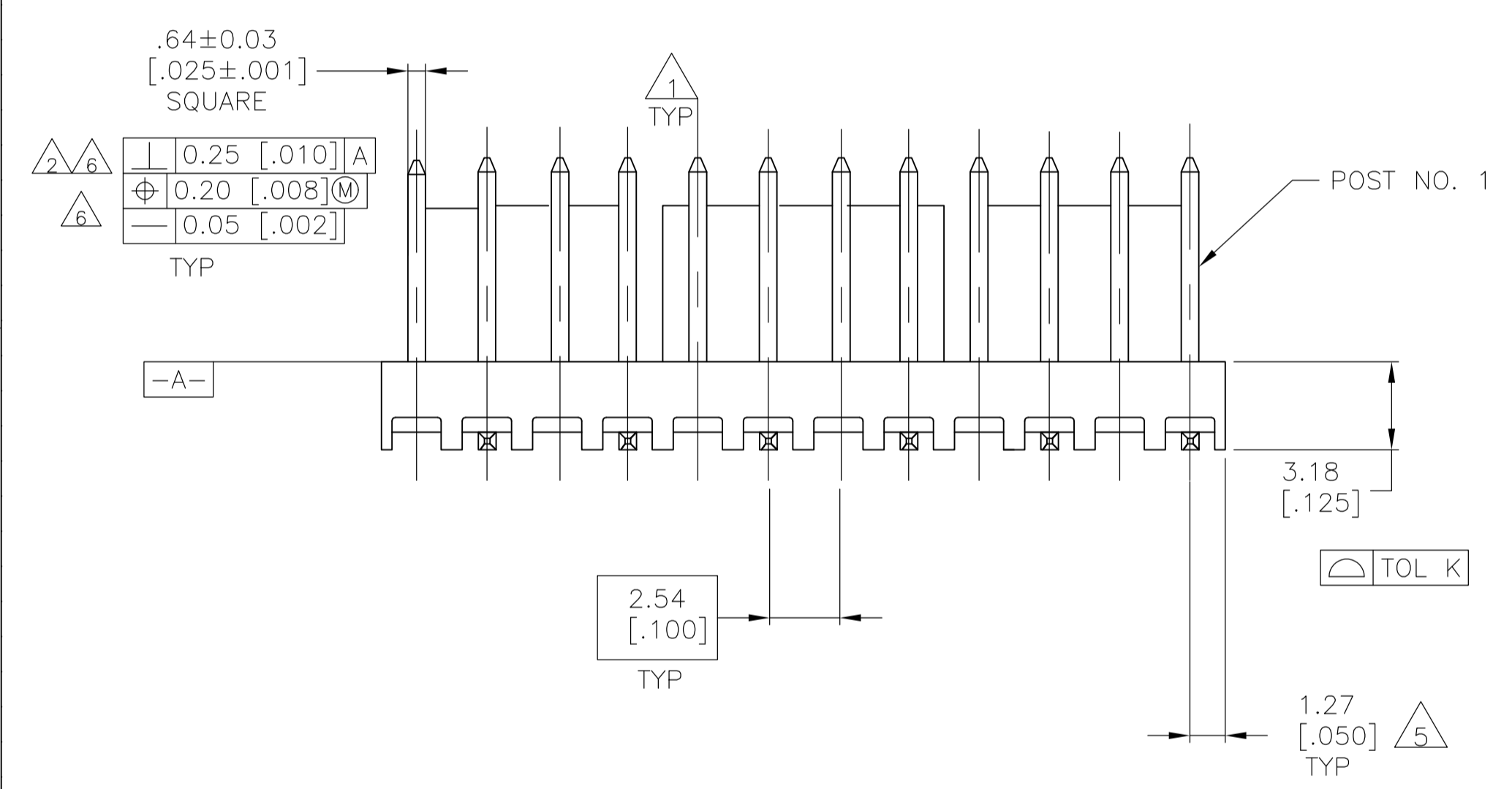
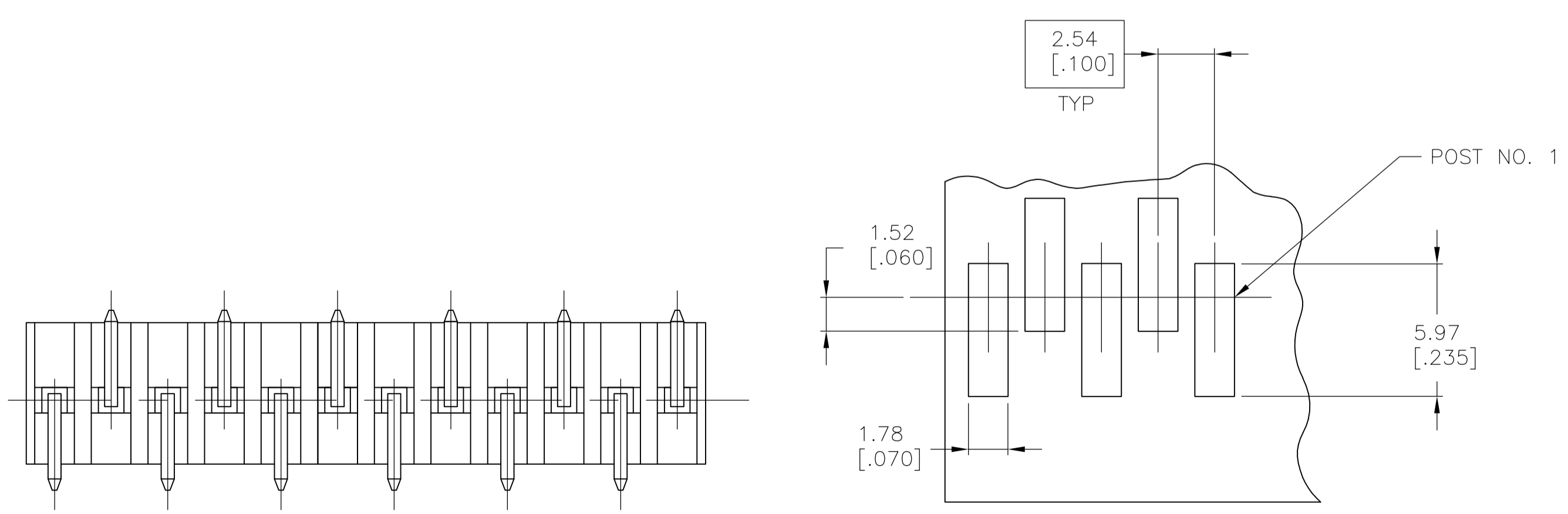


- 1. POST TO WITHSTAND 13 NEWTONS (3 LBS) MIN. AXIAL FORCE IN DIRECTION SHOWN WITHOUT DISLODGING.
- 2. MEASURED AT SURFACE \square -A-
- 3. PARTS COMPLY WITH AMP SOLDERABILITY SPEC. NO. 109-11-2.
- 4. HOUSING: NYLON 4/6, HIGH TEMP, BLACK
POST -2 THRU -18: COPPER ALLOY, TIN-LEAD (93/7) PLATING
POST -32 THRU -48: COPPER ALLOY TIN PLATE
- 5. COORDINATE DIMENSION APPLIES FROM CENTER OF ACTUAL FEATURE.
- 6. POSTS TO BE MEASURED WHEN STRIP IS HELD FLAT.
- 7. DIMENSIONS IN BRACKETS ARE IN INCHES.
- 8. TE LOGO AND UL AND CSA TRADEMARKS TO APPEAR ON THIS SURFACE.
- 9. OBSOLETE PARTS: OBSOLETE CIS STREAMLINING PER D.RENAUD/D.SINISI



0.15	.006	10.16	.400	12.70	.500	30.48	1.200	12	4-647106-2
0.15	.006	-	-	10.16	.400	27.94	1.100	11	4-647106-1
0.15	.006	-	-	7.62	.300	25.40	1.000	10	4-647106-0
0.15	.006	-	-	5.08	.200	22.86	.900	9	3-647106-9
0.15	.006	-	-	2.54	.100	20.32	.800	8	3-647106-8
0.15	.006	-	-	-	-	17.78	.700	7	3-647106-7
0.15	.006	-	-	-	-	15.24	.600	6	3-647106-6
0.15	.006	-	-	-	-	12.70	.500	5	3-647106-5
0.15	.006	-	-	-	-	10.16	.400	4	3-647106-4
0.15	.006	-	-	-	-	7.62	.300	3	3-647106-3
0.15	.006	-	-	-	-	5.08	.200	2	3-647106-2



RECOMMENDED P.C BOARD LAYOUT FOR USE WITH 0.25 [.010] THICK STENCIL

9	SUPERCEDED BY 4-647106-2	0.15	.006	10.16	.400	12.70	.500	30.48	1.200	12	4-647106-2
9	SUPERCEDED BY 4-647106-1	0.15	.006	-	-	10.16	.400	27.94	1.100	11	4-647106-1
9	SUPERCEDED BY 4-647106-0	0.15	.006	-	-	7.62	.300	25.40	1.000	10	4-647106-0
9	SUPERCEDED BY 3-647106-9	0.15	.006	-	-	5.08	.200	22.86	.900	9	3-647106-9
9	SUPERCEDED BY 3-647106-8	0.15	.006	-	-	2.54	.100	20.32	.800	8	3-647106-8
9	SUPERCEDED BY 3-647106-7	0.15	.006	-	-	-	-	17.78	.700	7	3-647106-7
0.15	.006	-	-	-	-	15.24	.600	6	3-647106-6		
0.15	.006	-	-	-	-	12.70	.500	5	3-647106-5		
0.15	.006	-	-	-	-	10.16	.400	4	3-647106-4		
0.15	.006	-	-	-	-	7.62	.300	3	3-647106-3		
0.15	.006	-	-	-	-	5.08	.200	2	3-647106-2		
MM	[IN]	MM	[IN]	MM	[IN]	MM	[IN]	NO OF POSITIONS		PART NUMBER	
TOL K		W		G		L					

THIS DRAWING IS A CONTROLLED DOCUMENT.

DIMENSIONS: mm [INCHES]	TOLERANCES UNLESS OTHERWISE SPECIFIED:	DIN S. HOOVER 25-FEB-2003	REVISED BY: D. ROSSI 25-FEB-2003
0. PLC ±	1. PLC ±	APPROVED: D. ROSSI 25-FEB-2003	NAME: MTA-100 HEADER ASSEMBLY, SURFACE MOUNT, POLARIZED, STRAIGHT .025 SQUARE POST, TIN OR TIN-LEAD PLATED
2. PLC ±	3. PLC ±	APPLICATION SPEC	SIZE: A1
4. PLC ±	ANGLES ± 0.13 [.005]	WEIGHT	SCALE: 5:1
MATERIAL	FINISH	CUSTOMER DRAWING	SHEET 1 OF 1

STE TE Connectivity

00779 647106