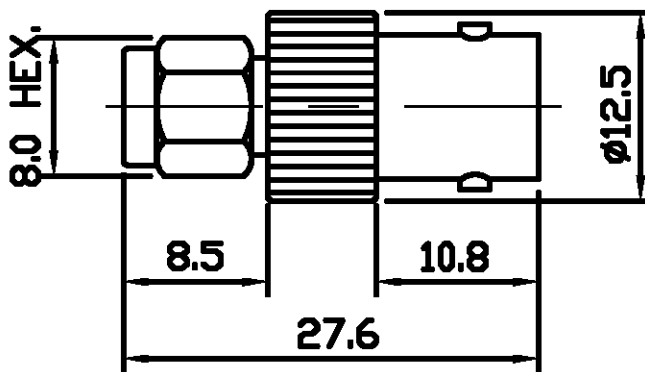


THIS DRAWING IS UNPUBLISHED.

RELEASED FOR PUBLICATION 7-9-00

© COPYRIGHT 2000 BY TYCO ELECTRONICS CORPORATION. ALL RIGHTS RESERVED.

LOC	DIST	REVISIONS			
P	LTR	DESCRIPTION	DATE	DWN	APVD
E	B	B	1-11-01	RG	FWK
		EB00-0304-01			



ALL DIMENSIONS ARE NOMINAL. FOR REFERENCE ONLY.

DIE SET PART NUMBER	N/A
HANDTOOL PART NUMBER	N/A
FOR USE ON CABLES	N/A
CONNECTOR PLATING DETAIL	NICKEL
CONTACT PLATING DETAIL	GOLD
DIELECTRIC MATERIAL	TEFLON
GASKET MATERIAL	WHITE SILICONE RUBBER

THIS DRAWING IS A CONTROLLED DOCUMENT.

DIMENSIONS:	TOLERANCES UNLESS OTHERWISE SPECIFIED:
MM	
	0 PLC ±
	1 PLC ±
	2 PLC ±
	3 PLC ± -
	4 PLC ± -
	ANGLES ±
MATERIAL	FINISH
-	-

DWN	R.SMITH	07-SEP-00	Tyco Electronics Corporation Stanmore, Middlesex, HA7 4RS		
CHK	R.GOODALL	07-SEP-00			
APVD	R.GOODALL	07-SEP-00			
PRODUCT SPEC	108-3435				
APPLICATION SPEC			NAME INTER-SERIES ADAPTOR SMA P-BNC J 50 Ohm		
SIZE	A3	CAGE CODE	00779	DRAWING NO	C-1337576
RESTRICTED TO					
CUSTOMER DRAWING	SCALE	NTS	SHEET	1 OF 1	REV
					B