

THIS INFORMATION IS CONFIDENTIAL AND PROPRIETARY TO CW INDUSTRIES INCORPORATED AND ITS AFFILIATES. IT MAY NOT BE DISCLOSED TO ANYONE OTHER THAN CW INDUSTRIES PERSONNEL, WITHOUT WRITTEN AUTHORIZATION FROM CW INDUSTRIES INCORPORATED, SOUTHAMPTON, PENNSYLVANIA USA.

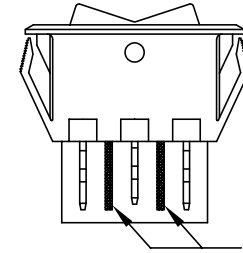
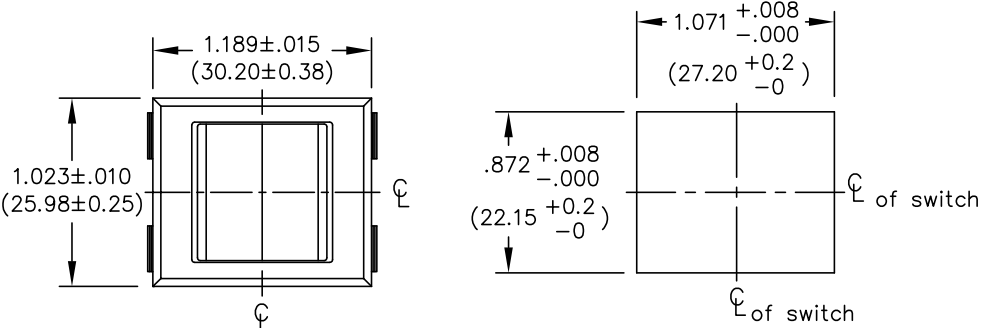
E
D
C
B
A

DIMENSIONS IN INCHES (MILLIMETERS)
DO NOT SCALE DRAWING

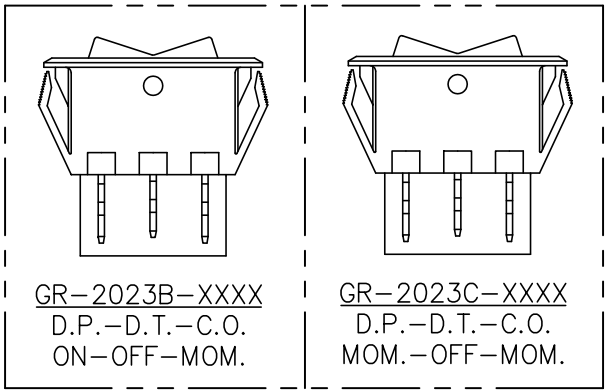
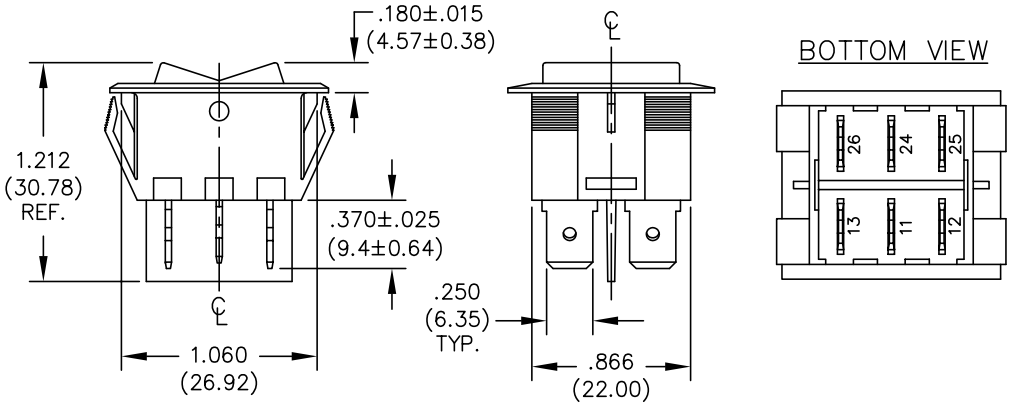
Dwg. No.
GR-2023B-XXXX/2023C-XXXX

PANEL THICKNESS
.025" to .150"
(0.64mm to 3.81mm)

PANEL PIERCING



INSULATING BARRIERS BETWEEN TERMINALS
OPTIONAL



1 2 3 4 5 6 7 8 9 10

B-FORMAT 2002
REVISIONS

PDF FILE MADE	CW INDUSTRIES Southampton, Pa. 18966		Title: PANEL MOUNT ROCKER SWITCH D.P.-D.T./MOMENTARY WITH OPTIONS Division: SWITCH Dwg. No. GR-2023B-XXXX/2023C-XXXX
	TOLERANCES UNLESS OTHERWISE SPECIFIED 2 Place Decimal ±.010 METRIC 3 Place Decimal ±.005 1 Place Dec. ±.25mm Angles ±1° 2 Place Dec. ±.13mm		
	Made for: CW IND.		
	Drawn by: DGW 8-03-2010		
	Checked by:		
Approval:			