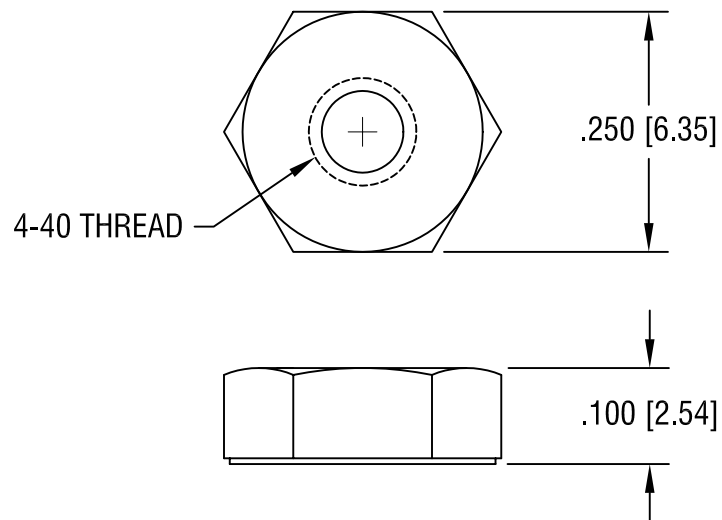


THIS DOCUMENT IS THE PROPERTY OF  
KEYSTONE ELECTRONICS CORP. AND  
SHALL NOT BE REPRODUCED, DISTRIBUTED  
OR USED AS A BASIS FOR MANUFACTURE  
WITHOUT PRIOR WRITTEN PERMISSION  
FROM KEYSTONE ELECTRONICS CORP.



<b>KEYSTONE ELECTRONICS CORP.</b>			
ASTORIA, N.Y. 11105-2017			
PART NAME		NUT, 4-40	
MATERIAL		NYLON 6/6	
FINISH		DRN BY	DATE
-		BOONE	12.19.03
		APPD	SCALE
		LN	5X
TOLERANCES		INCH	[MM]
DECIMAL		$\pm .010$	[ $\pm 0.25$ ]
ANGULAR		$\pm 1^\circ$	
UNLESS OTHERWISE SPECIFIED		CODE	DWG NO.
		C/M	<b>9605</b>

DATE	DESCRIPTION	REV.