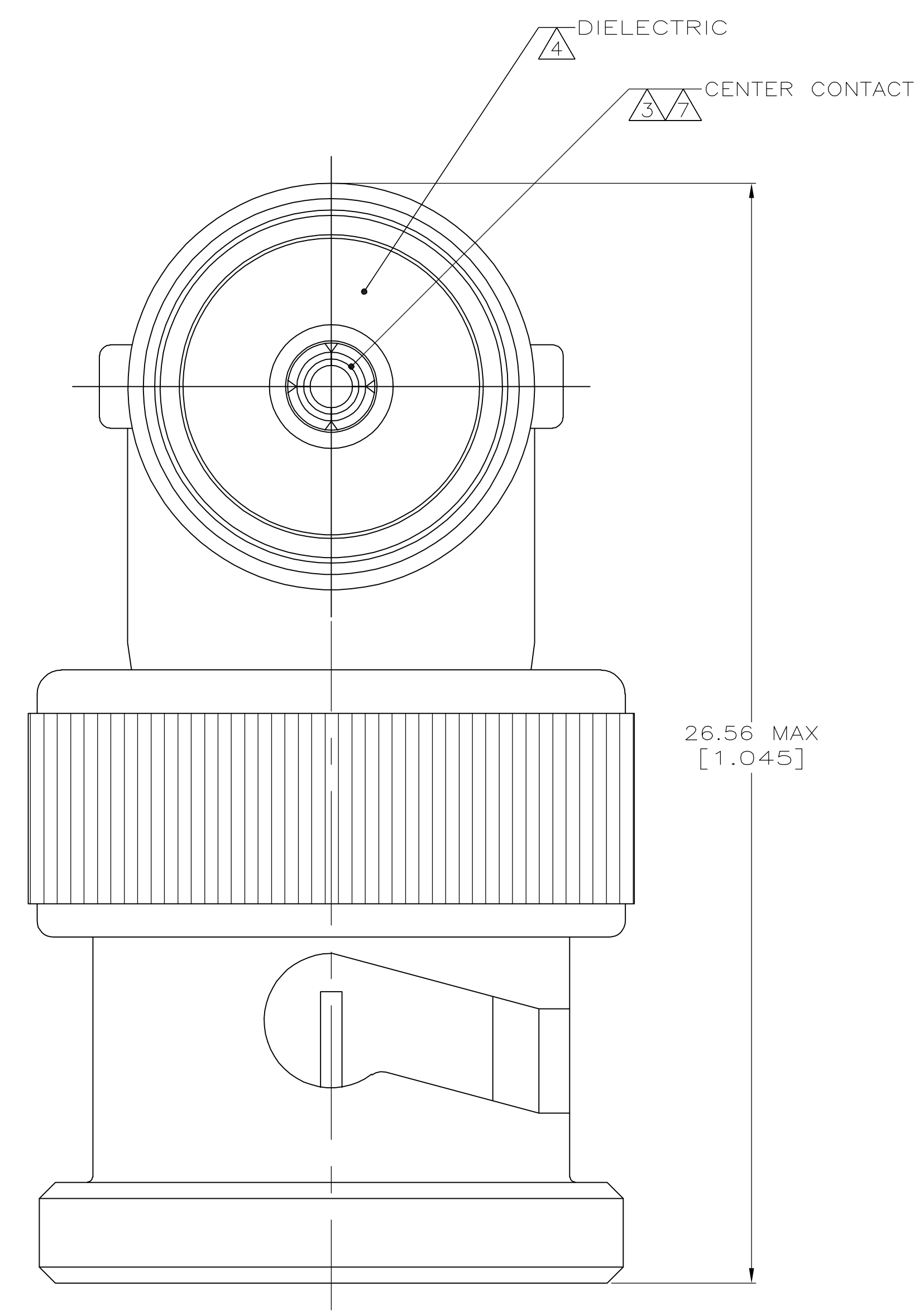
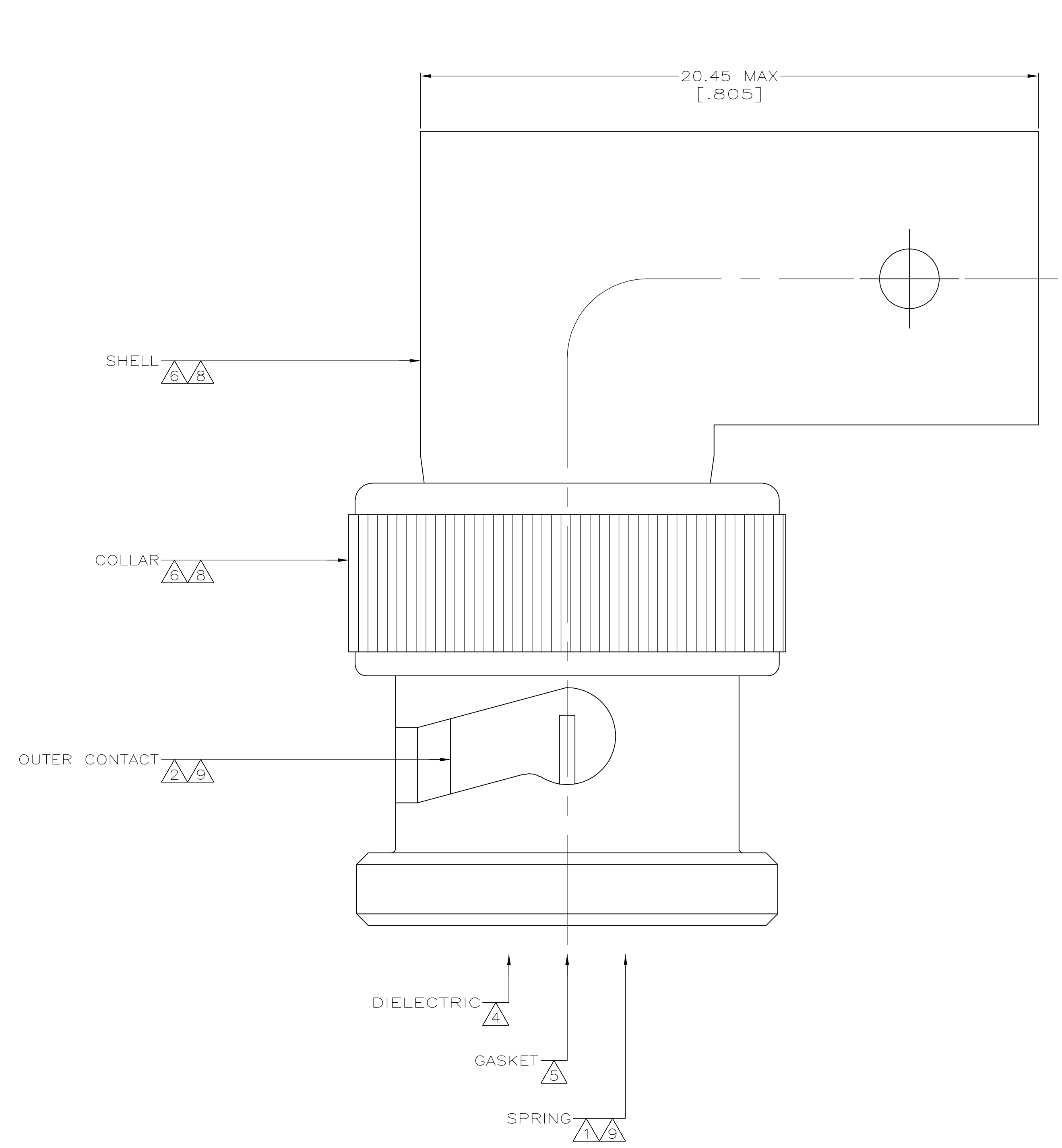


LOC	DIST	REVISIONS			
P	LTR	DESCRIPTION	DATE	DWN	APVD
AJ	16	A	REVISED PER EC 0514-0150-05	06OCT2005	REH JL

- ① CARBON STEEL PER ASTM-A-108
- ② BRASS PER ASTM-B-16
- ③ PHOSPHOR BRONZE PER ASTM-B-139
- ④ POLYMETHYLPENTENE: GENERAL PURPOSE
- ⑤ SILICONE RUBBER PER ZZ-R-765
- ⑥ ZINC DIE CAST PER ASTM-B-86
- ⑦ GOLD PLATE PER ASTM-B-488, 0.76µm [.000030] MIN THICKNESS
- ⑧ NICKEL PLATE PER QQ-N-290, 1.27µm [.000050] MIN THICKNESS
- ⑨ NICKEL PLATE PER QQ-N-290, 2.54µm [.000100] MIN THICKNESS



5415020-1
PART NUMBER

THIS DRAWING IS A CONTROLLED DOCUMENT.		DWN L. VARELA - 18APR2005	Tyco Electronics Corporation Harrisburg, PA 17105-3608	
DIMENSIONS: mm [INCHES]		CHK J. HAVENER 18APR2005	APVD J. LIPPERT 18APR2005	
TOLERANCES UNLESS OTHERWISE SPECIFIED:		NAME PLUG-JACK ADAPTER, RIGHT ANGLE, 75 OHM, BNC		
0 PLC ± -		PRODUCT SPEC 108-12096		
1 PLC ± -		APPLICATION SPEC		
2 PLC ± -		SIZE A1		
3 PLC ± -		CAGE CODE 00779		
4 PLC ± -		DRAWING NO 5415020		
ANGLES ± -		RESTRICTED TO		
FINISH SEE NOTES		WEIGHT -		
MATERIAL SEE NOTES		CUSTOMER DRAWING		
		SCALE 10:1 SHEET 1 of 1 REV A		